


VEHICLE					PIONEER	CONNECTOR	HEIGHT ADDED mm / in	
FORD Everest U704 Gen 3 4WD-SUV Raised Rail 5dr					62100	RX200	112 / 4.4	
REGION	AUS	NZ	USA	CA	SA	UK	EU	ZA
AVAILABILITY	✓	✓	✗	✗	✗	✗	✗	✓
RUN DATES	2022 -	2022 -	-	-	-	-	-	2022 -
VEHICLE NOTES	Refer to vehicle manufacturer's owners manual for vehicle trim-specific roof load ratings. Do not exceed vehicle manufacturer's max roof load rating. -							

VISIT THE ONLINE CALCULATOR FOR CURRENT SYSTEM LOAD LIMIT DATA



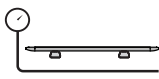
**DYNAMIC LOAD LIMIT (ON AND OFF-ROAD):**  
**\*USE THE VEHICLE MANUFACTURER'S MAXIMUM ROOF ALLOWANCE IF IT IS LOWER THAN THE FIGURE LISTED**



CARGO

UP TO **81 Kg**  
**178 lbs**


+



SYSTEM WEIGHT

19 Kg  
**42 lbs**


=



LOAD LIMIT


UP TO **100 Kg**  
**220 lbs**

OR

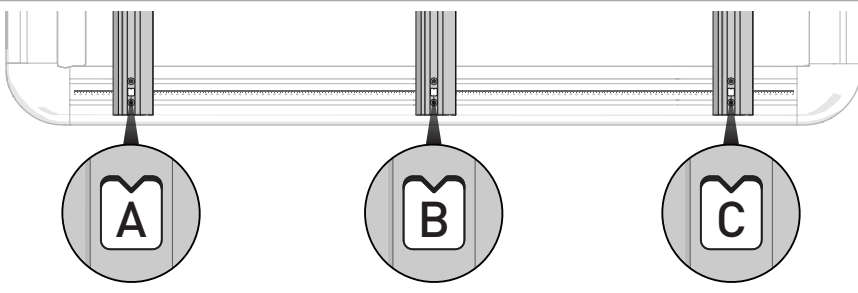
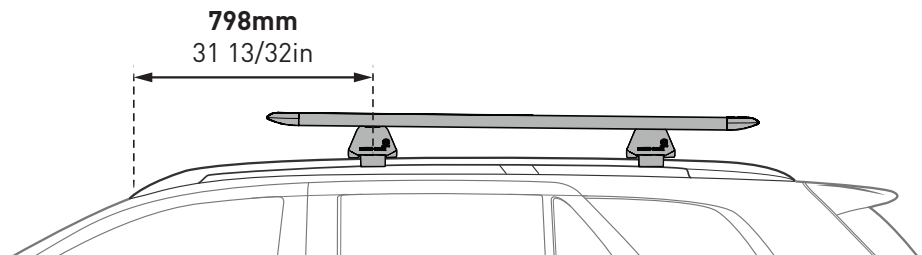


Max kg

**\*VEHICLE MANUFACTURER'S ROOF LOAD LIMIT**


**TOTAL STATIC LOAD LIMIT: UP TO 250 Kg / 551 lbs\***

## UNDERBAR SPACING

FRONT								REAR
BAR	A	B	C	D	E	F	G	
DIMENSION (CM)	-40	0	35					
SPACERS REQ'D								
CONNECTOR	RX200		RX200					
OUTER UNDERBAR COVER (mm/in)	Refer to Step 11-12 in Pioneer Series 6 Fitting Instructions to trim B and C							
CENTRE UNDERBAR COVER (mm/in)	Refer to Step 11-12 in Pioneer Series 6 Fitting Instructions to trim A							

### NOTES FOR DEALERS / FITTERS

It is your responsibility to ensure these fitting instructions are given to the end user or client.