



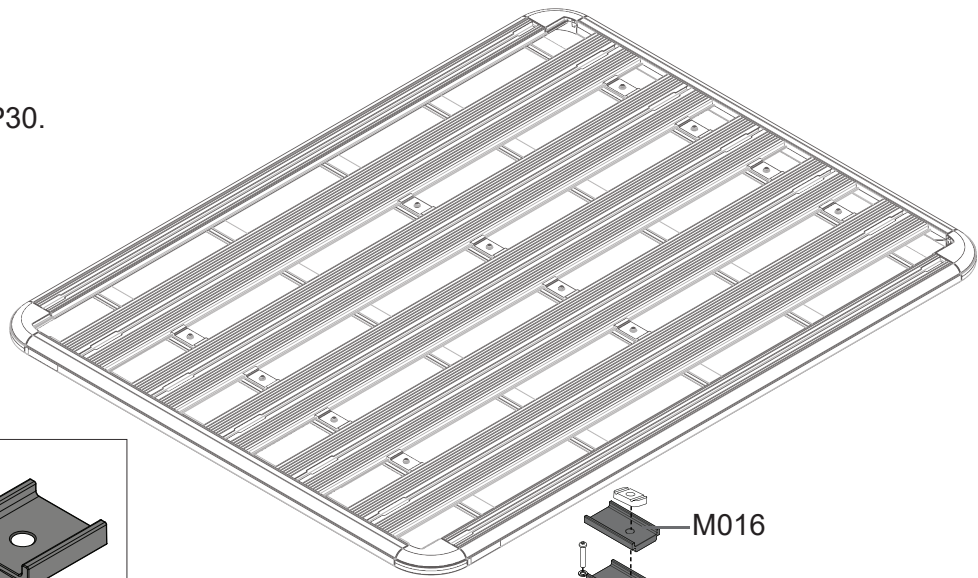
CONTROLLED

RHINO-RACK

PLHS1 - Fit Kit for RJKB1 to suit Pioneer Tray

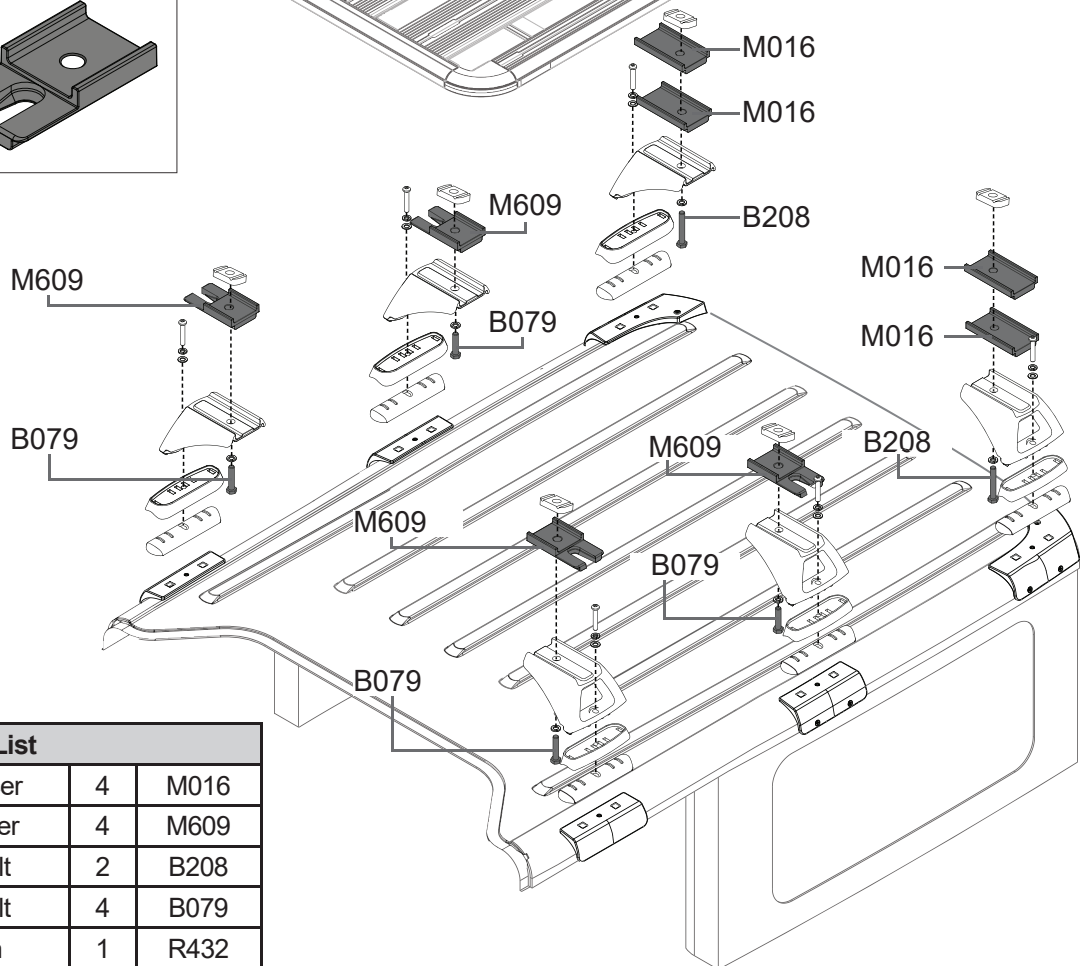
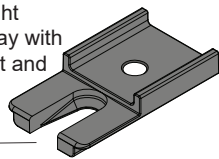
Important: Please read these instructions carefully prior to installation. Please refer to your fitting instruction to ensure that the roof racks are installed in the correct locations. Check the contents of kit before commencing fitment and report any discrepancies. Place these instructions in the vehicle's glove box after installation is complete.

Note: Channel nuts are included in leg kit RLCP30.



Note:

The end of the leg height spacer must be cut away with a hacksaw for the Front and middle locations.



Parts List			
1	Nylon 10mm Spacer	4	M016
2	Pioneer Leg Spacer	4	M609
3	M10 x 50 Hex Bolt	2	B208
4	M10 x 35 Hex Bolt	4	B079
5	Fitting Instruction	1	R432

Rhino-Rack, 22 Hanson Pl, Eastern Creek
 NSW 2766, Australia
 (02) 8846 1900
 rhinorack.com.au

Document No: R432
 Issue No: 04
 Issue Date: 12/06/2020