



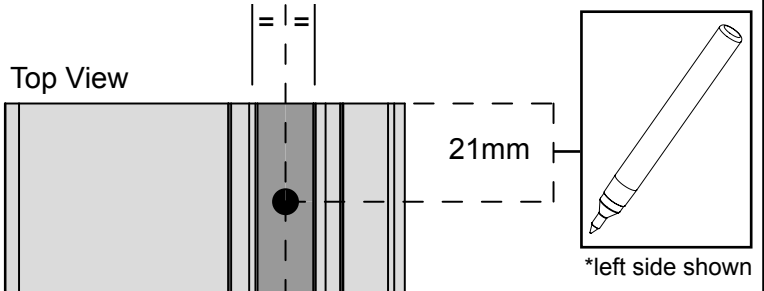
RHINO-RACK

Rhino Nautic Kayak Loader Thule Wingbar Kit NKL-FK2 (RH), NKL-FK3 (LH)

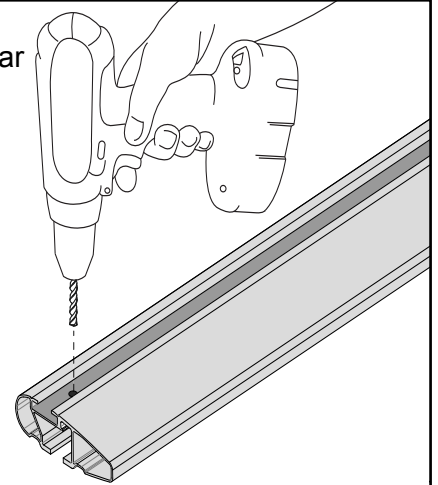
Important: Please read these instructions carefully prior to installation. Please refer to your fitting instruction to ensure that the roof racks are installed in the correct locations. Check the contents of kit before commencing fitment and report any discrepancies. Place these instructions in the vehicle's glove box after installation is complete.

Parts List			
1	M6 x 12mm Security Bolt	2	B148
2	M6 Spring Washer	4	W004
3	M6 Flat Washer	4	W003
4a*	NKL Thule Ready Hook LH	2	CA1312
4b*	NKL Thule Ready Hook RH	2	CA1313
5	M6 Nut 24 x 21 x 4	2	N057
6	M6 x 20 Security Bolt	2	B062
7	Fitting Instruction	1	R416

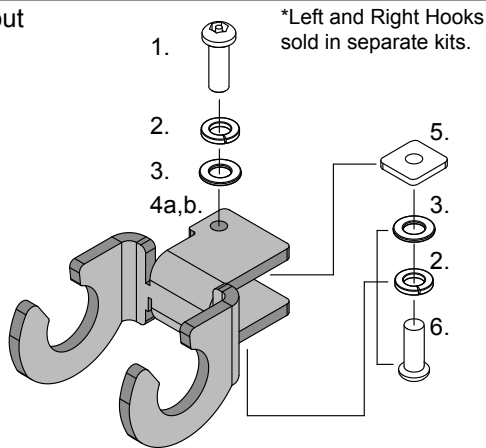
1. On the left side of the Wingbar extrusion, in the C-Channel, spot mark 21mm back from end. Centre your mark within the C Channel.



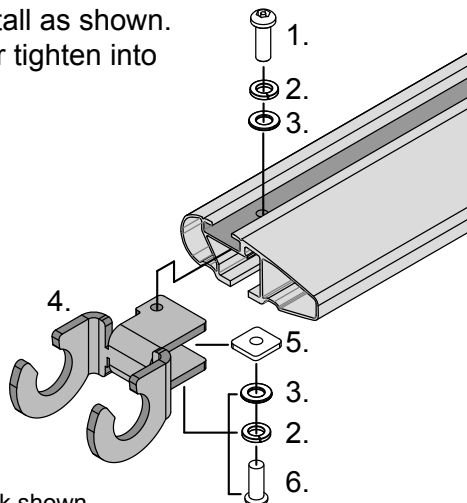
2. Using a 6mm drill bit, drill out the spot mark. Clear away any swarf.



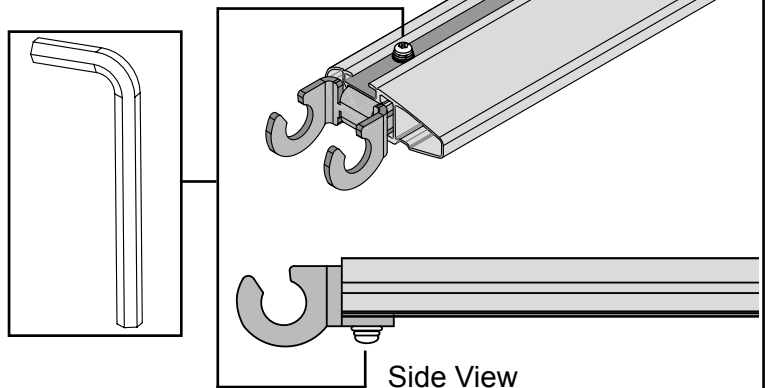
Layout



3. Install as shown. Finger tighten into place.



4. Tighten hardware to 3-4Nm with an allen key. Replace Rubber.



Note for Dealers and Fitters:

It is your responsibility to ensure these fitting instructions are given to the end user or client.

Rhino-Rack
3 Pike Street, Rydalmere,
NSW 2116, Australia.
(Ph) (02) 9638 4744
(Fax) (02) 9638 4822

Document No: R416
Prepared By: Kayle Everett
Authorised By: Chris Murty

Issue No: 03
Issue Date: 20/06/2014

These instructions remain the property of Rhino-Rack Australia Pty Ltd and may not be used or changed for any other purpose than intended.