

NAUTICAL KAYAK LOADER

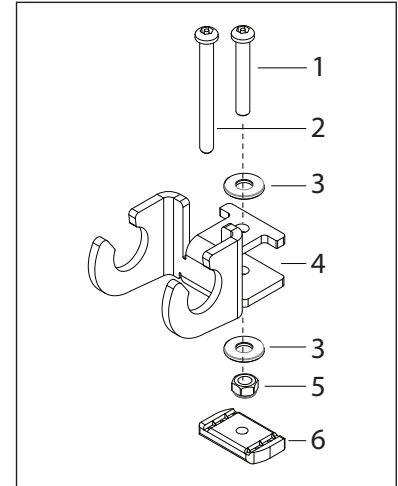
NKL-FK1

Important:

1. Check the Rhino-Rack website to ensure you have the latest issue of these instructions.
2. Please refer to your fitting instruction to ensure that the accessory is installed in the correctly.
3. Check the contents of kit before commencing fitment and report any discrepancies.
4. Place these instructions in the vehicle's glove box after installation is complete.
5. These instructions must be followed for warranty to be upheld.

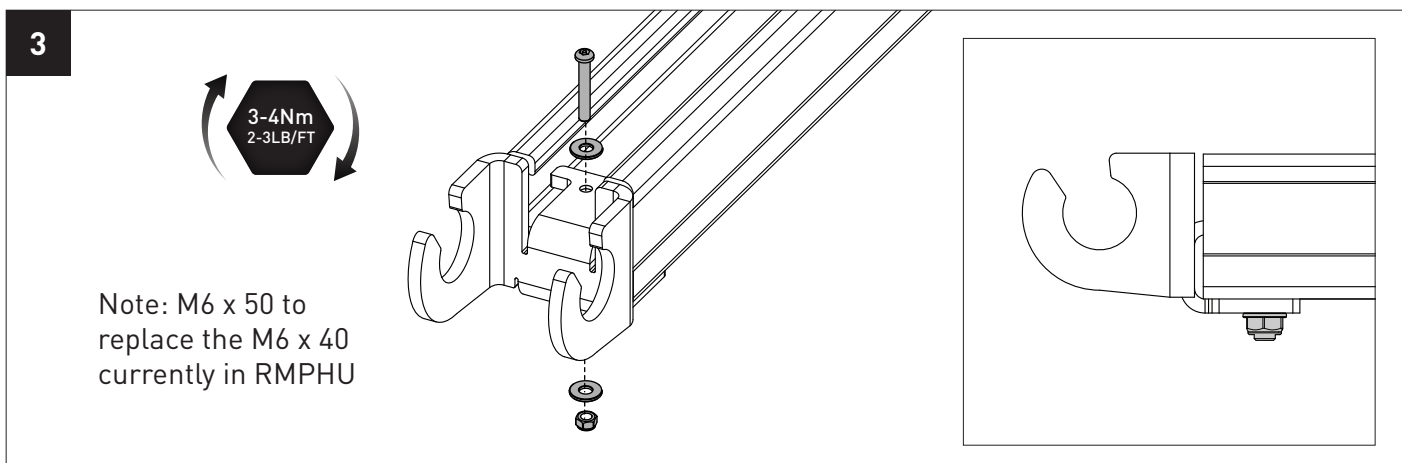
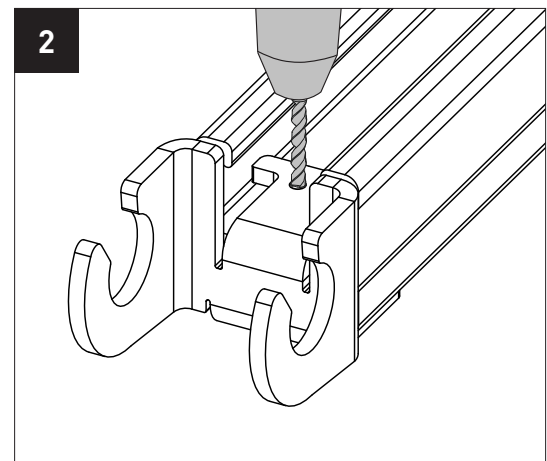
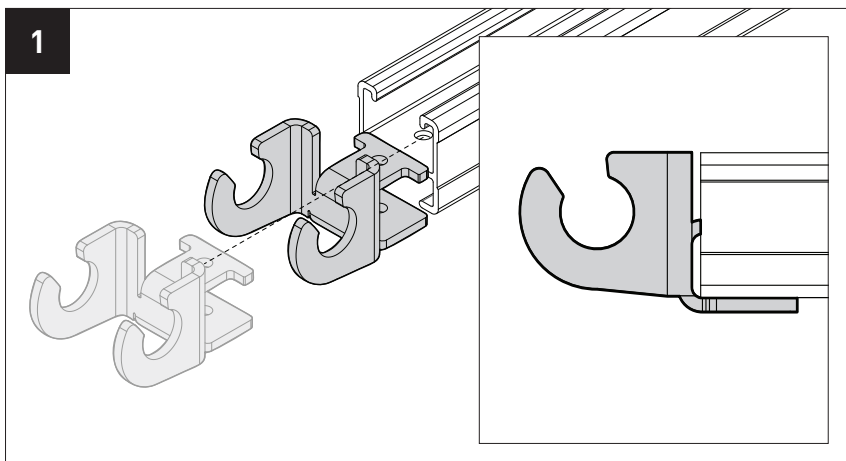
Parts List		
1	M6 x 35mm Security Screw	2
2	M6 x 50mm Security Screw	8
3	M6 Flat Washer	4
4	NKL HD Hook	2
5	M6 Nyloc Nut	2
6	M6 Channel Nut	4
7	Fitting Instruction	1

Secondary Parts List in NKL Kit		
1a	M6 x 40mm Security Bolt	2
1b	M6 x 23 Security Bolt	2
2	M6 Spring Washer	4
3	M6 Flat Washer	4
4	M6 Channel Nut	4



Secondary Parts List Note:

Secondary hardware will replace main NKL parts for HD Bar fitments. 1b, 2, 3 & 4 will replace 17, 18, 19 and 20. 1a, 2, 3 and 4 will replace 30, 31, 32 & 33.



Note for Dealers and Fitters

It is your responsibility to ensure these fitting instructions are given to the end user or client. These instructions remain the property of Rhino-Rack Australia Pty. Ltd. and may not be used or changed for any other purpose than intended.