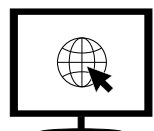


# DK523 CROSSBAR INSTRUCTION

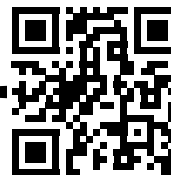
VA, EURO & HD

## FIT MY VEHICLE

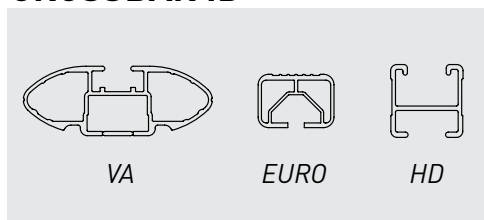
Please visit the Rhino-Rack website to ensure you have the latest information for your specific vehicle.



rhinorack.com/roof



## CROSSBAR ID



## PAD, CLAMP & CROSSBAR DETAILS

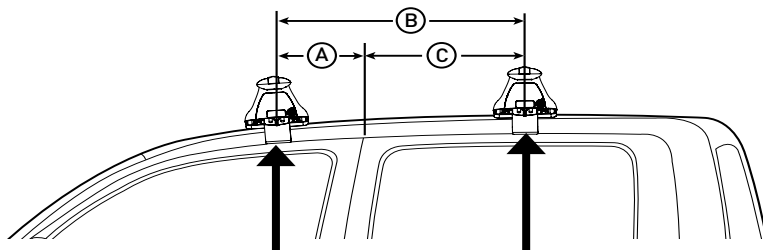
				FRONT CROSSBAR					REAR CROSSBAR						
Vehicle	Region	Date	Crossbar	Front Right Pad / Clamp	Front Left Pad / Clamp	Measurement Strip Length Per Side	Measurement Distance (X)	Foot Plate Arrow Direction	Rear Right Pad/Clamp	Rear Left Pad/Clamp	Measurement Strip Length Per Side	Measurement Distance (X)	Foot Plate Arrow Direction		
Honda HR-V Gen3 5dr SUV	USA, Canada	2023 -	1260mm	M914 / SUB0256	M913 / SUB0256	193mm	80mm	1034mm / 40 11/16"	OUT	M567 / SUB0462	M566 / SUB0462	181mm	68mm	1010mm / 39 3/4"	OUT
				Pad Arrow OUT						Pad Arrow OUT					
Honda ZR-V Gen1 5dr SUV	AUS,NZ, Europe	2024 -	1260mm	M914 / SUB0256	M913 / SUB0256	193mm	80mm	1034mm / 40 11/16"	OUT	M567 / SUB0462	M566 / SUB0462	181mm	68mm	1010mm / 39 3/4"	OUT
				Pad Arrow OUT						Pad Arrow OUT					

# DK523 CROSSBAR INSTRUCTION

VA, EURO & HD

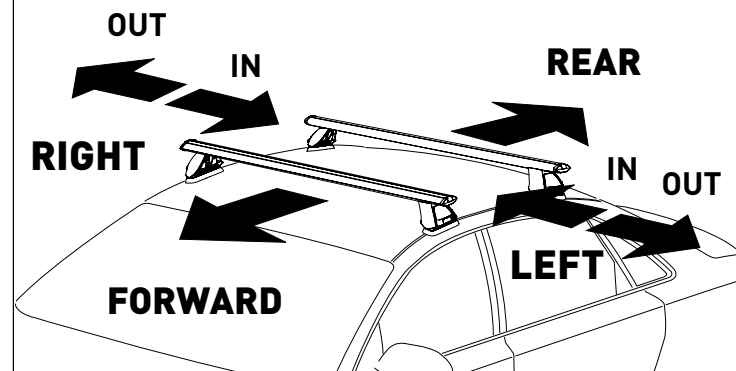
**Carrying Capacity:** The roof rack is rated to 75kg. Please refer to manufacturers handbook for your vehicles maximum roof load capacity. Always use the lower of the two figures.

- (A)** CENTRE of Door Jamb to CENTRE of Front Leg Foot Plate Arrow.
- (B)** CENTRE of Front leg foot plate arrow to CENTRE of Rear leg foot plate arrow.
- (C)** Door Jamb to CENTRE of Rear Leg Foot Plate Arrow



Honda has indented arrows in the door jambs (visible when doors are opened) to indicate placement of roof racks. Place Front and Rear crossbars above the indicators and cross-check by using the table below

## Direction of Pad and Foot Plate Arrow



VEHICLE	Date	(A)	(B)	(C)	Load Rating (includes racks 5kg/ 11lbs)
Honda HR-V Gen3 5dr SUV (USA & Canada)	2023 -	230mm	705mm	475mm	Up to* 75kg / 165lbs
Honda ZR-V Gen1 5dr SUV (Aus, NZ & Europe)	2024 -	230mm	705mm	475mm	Up to* 75kg / 165lbs

\*System Load Rating: Please refer to manufacturer's handbook for your vehicle's maximum roof load capacity. Always use the lower of the two figures