



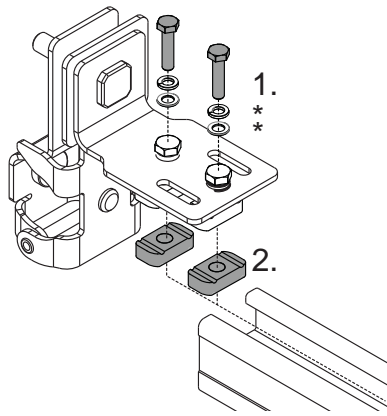
RHINO-RACK

CONTROLLED

HD-FK13

Note:
HD-FK13 is intended for use with 43218 shovel brackets.

* M6 spring and flat washers found in the 42318 hardware kit.



Item	Component Name	Qty	Part No.
1	M6 x 20mm Hex Screw	4	B082
2	M6 Channel Nut	4	N002

Issue: 01 Document No: R1350 Prepared: Kayle Everett



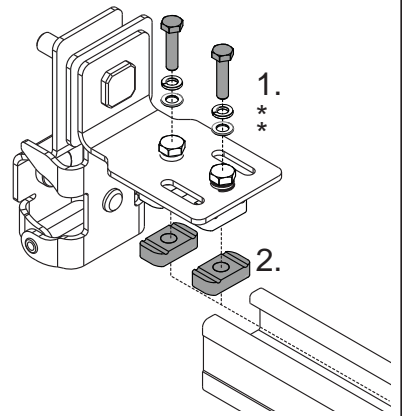
RHINO-RACK

CONTROLLED

HD-FK13

Note:
HD-FK13 is intended for use with 43218 shovel brackets.

* M6 spring and flat washers found in the 42318 hardware kit.



Item	Component Name	Qty	Part No.
1	M6 x 20mm Hex Screw	4	B082
2	M6 Channel Nut	4	N002

Issue: 01 Document No: R1350 Prepared: Kayle Everett



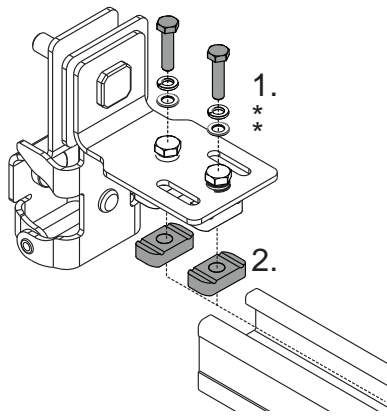
RHINO-RACK

CONTROLLED

HD-FK13

Note:
HD-FK13 is intended for use with 43218 shovel brackets.

* M6 spring and flat washers found in the 42318 hardware kit.



Item	Component Name	Qty	Part No.
1	M6 x 20mm Hex Screw	4	B082
2	M6 Channel Nut	4	N002

Issue: 01 Document No: R1350 Prepared: Kayle Everett



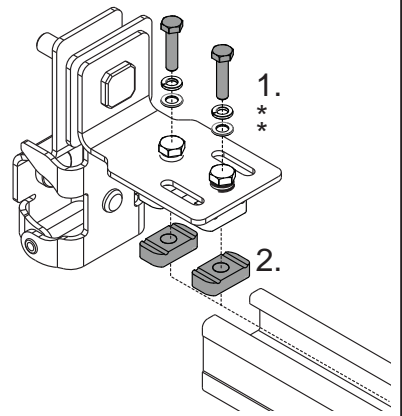
RHINO-RACK

CONTROLLED

HD-FK13

Note:
HD-FK13 is intended for use with 43218 shovel brackets.

* M6 spring and flat washers found in the 42318 hardware kit.



Item	Component Name	Qty	Part No.
1	M6 x 20mm Hex Screw	4	B082
2	M6 Channel Nut	4	N002

Issue: 01 Document No: R1350 Prepared: Kayle Everett



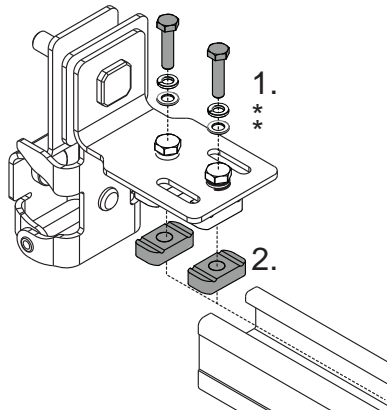
RHINO-RACK

CONTROLLED

HD-FK13

Note:
HD-FK13 is intended for use with 43218 shovel brackets.

* M6 spring and flat washers found in the 42318 hardware kit.



Item	Component Name	Qty	Part No.
1	M6 x 20mm Hex Screw	4	B082
2	M6 Channel Nut	4	N002

Issue: 01 Document No: R1350 Prepared: Kayle Everett



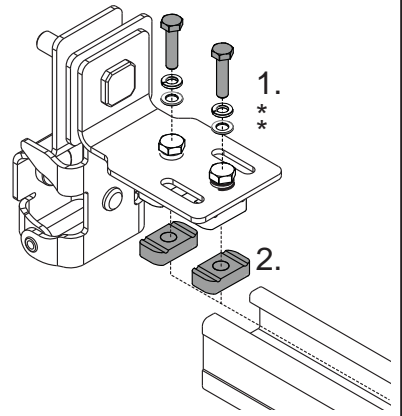
RHINO-RACK

CONTROLLED

HD-FK13

Note:
HD-FK13 is intended for use with 43218 shovel brackets.

* M6 spring and flat washers found in the 42318 hardware kit.



Item	Component Name	Qty	Part No.
1	M6 x 20mm Hex Screw	4	B082
2	M6 Channel Nut	4	N002

Issue: 01 Document No: R1350 Prepared: Kayle Everett