



RHINO-RACK

Aerodynamic & Heavy Duty Roof Rack Systems

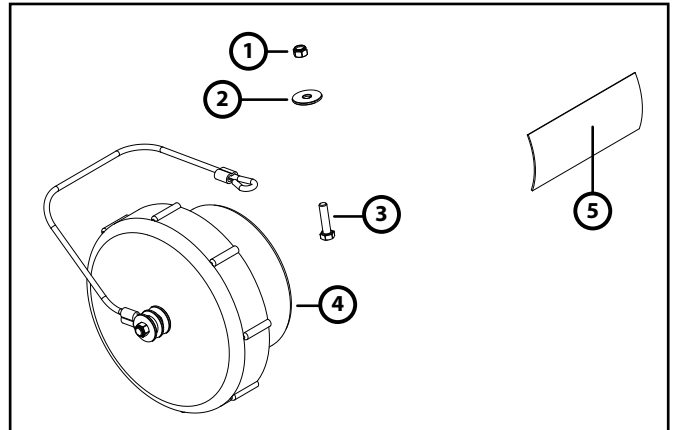
BCW-C Rhino Ladder-Rack Systems - Copper Conduit End Cap

Important: Please read these instructions carefully prior to installation.
 Please refer to your fitting instruction to ensure that the roof racks are installed in the correct locations.
 Check the contents of kit before commencing fitment and report any discrepancies.
 Place these instructions in the vehicle's glove box after installation is complete.

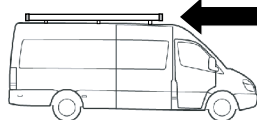
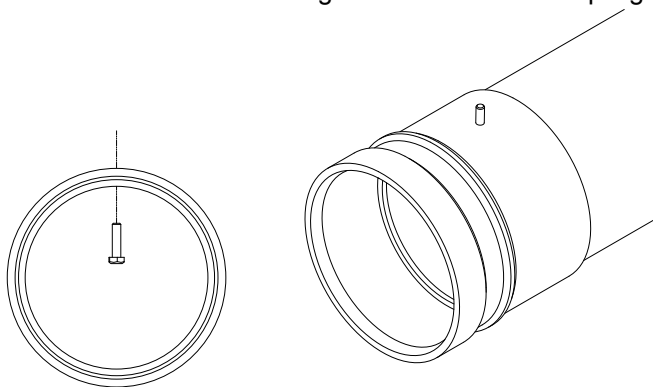
Parts List

Item	Component Name	Qty	Part No.
1	M5 Nyloc Nut	1	N029
2	3/16" x 3/4" Flat Washer	1	W038
3	M5 x 20 Hex Bolt	1	B028
4	Copper Conduit End Cap Assembly	1	-
5	Warning Sticker	2	S801
6	Fitting Instruction	1	R046

Tools Required 8mm Spanner
8mm Ratchet

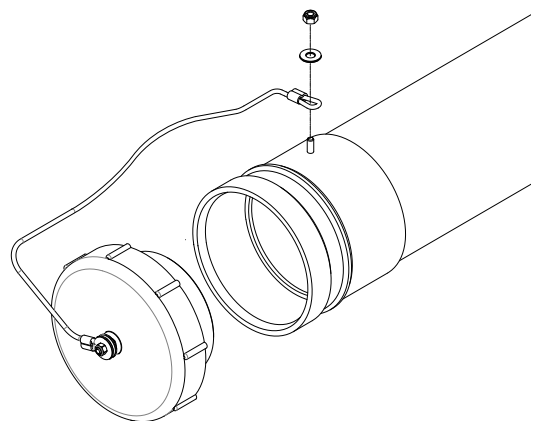


1 Insert the hex bolt through the conduit and coupling.

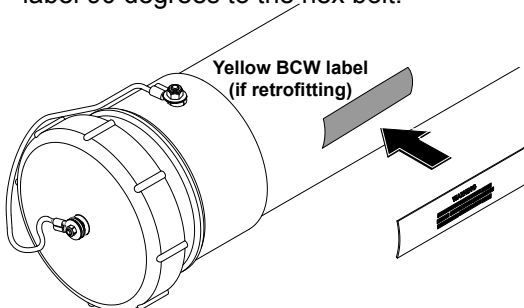


NOTE: This Endcap is to be installed at the front / forward end of the carrier.

2 Place the wire trace over the hex bolt, assemble the flat washer and nyloc nut. Tighten the nyloc nut.

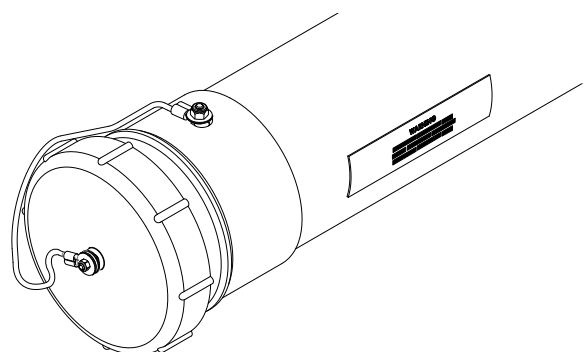


3 With the hex bolt pointing up place the warning label 90 degrees to the hex bolt.



If retrofitting to existing BCW, place warning label over the top of yellow label at both ends of the carrier.

4 The Conduit End Cap is ready to use.



Rhino-Rack
 3 Pike Street, Rydalmere,
 NSW 2116, Australia.
 (Ph) (02) 9638 4744 (Fax) (02) 9638 4822

Document No: R046
 Prepared By: Chris Murty
 Authorised By: Gary England

Issue No: 01
 Issue Date: 05/11/2010