



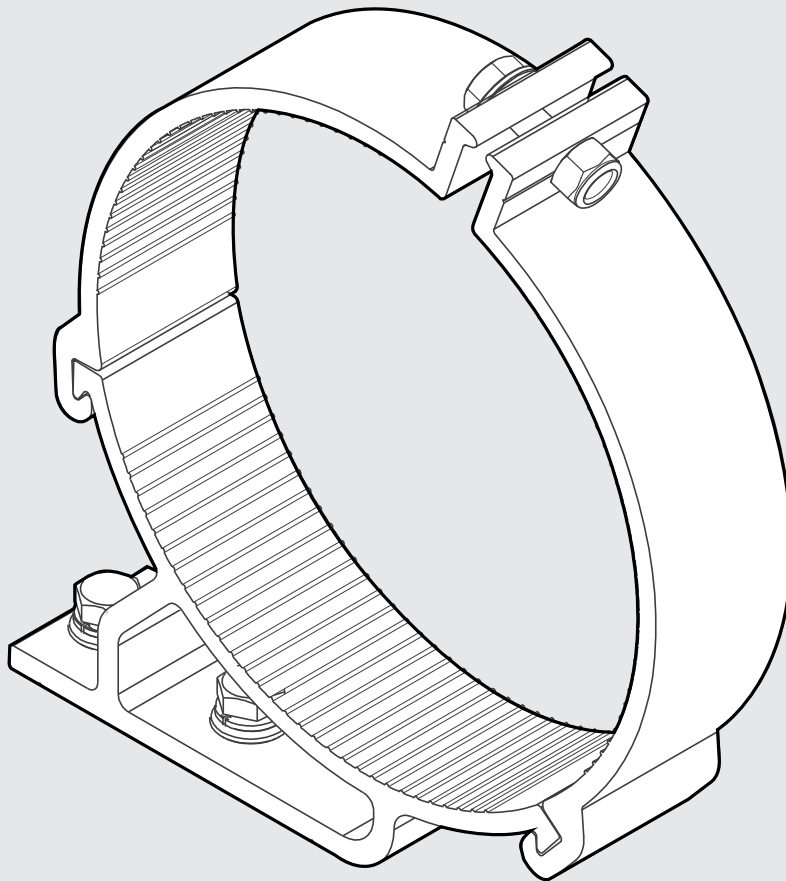
RHINO-RACK®

K & C Conduit Bracket BC2, BC3, BC4, BC2-150, BC3-150

Important:

1. Check the Rhino-Rack website to ensure you have the latest issue of these instructions.
2. Please refer to your fitting instruction to ensure that the accessory is installed in the correctly.
3. Check the contents of kit before commencing fitment and report any discrepancies.
4. Place these instructions in the vehicle's glove box after installation is complete.
5. These instructions must be followed for warranty to be upheld.

Fit Time: 10 min



Rhino-Rack AUSTRALIA
22A Hanson Pl,
Eastern Creek, NSW, 2766
(02) 8846 1900
rhinorack.com.au

Rhino-Rack USA
Unit D, 2450 Airport Blvd,
Aurora, CO, 80011
877-744-6622
rhinorack.com

Rhino-Rack CANADA
19100 Airport Way
Pitt Meadows, BC V3Y OE2
rhinorack.ca

Document No: R379
Issue No: 06
Issue Date: 15/06/2021

RBP-CBM Instructions

Carrying Capacity

Refer to vehicle manufacturer's carrying load rating for roof bars.

Ensure that all loads are evenly distributed and that the centre of gravity is kept as low as possible.

Warning

- Do not attempt to fit the accessory to your vehicle unless you fully understand these fitting instructions. Please direct any questions regarding fitting to the dealer from where the product was purchased.
- Off-road conditions can be much more rigorous. Extreme care must be taken in off road conditions.
- Accessory must be removed when vehicle is put through an automatic car wash.
- Always ensure you fasten your load securely.

In service maintenance checks

- All bolted connections should be checked after driving a short distance when you first install your roof racks & accessories.
- All bolted connections should be checked again at regular intervals (every 1000k (621mi) is recommended, depending on road conditions, usage, loads and distances travelled). All bolted connections should be checked each time they are re-fitted.

Torque Settings

Unless stated otherwise in these instructions, all fasteners should be set to the following torque settings:

M6: 4-5Nm (3-4lbs/ft), M8: 8-10Nm (6-7.5lbs/ft) M10: 16-18Nm (12-13lbs/ft).

Sensitivity to Crosswinds, Behaviour in Curves and Braking.

Remember that the handling characteristics of your vehicle will change when transporting a load on the roof.

Exercise extreme care when transporting wind-resisting loads; special consideration must be taken into account when braking.

Note for Dealers and Fitters

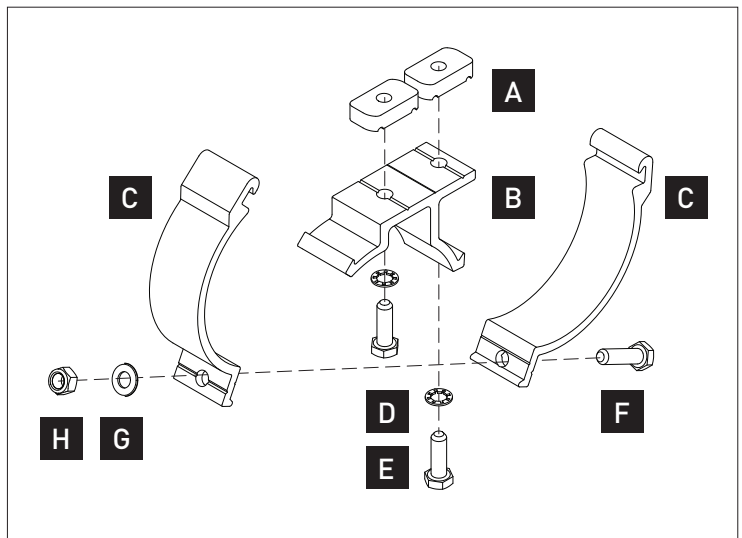
It is your responsibility to ensure these fitting instructions are given to the end user or client. These instructions remain the property of Rhino-Rack Australia Pty. Ltd. and may not be used or changed for any other purpose than intended.

RBP-CBM Instructions

Parts List

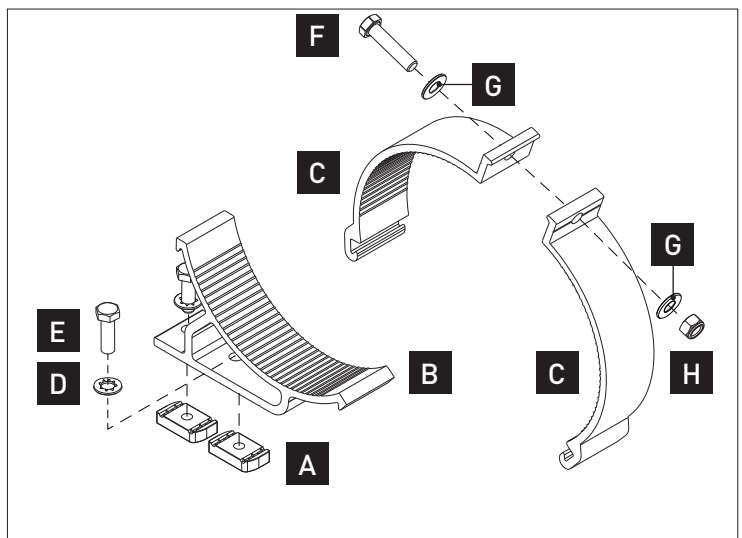
FOR BC2, BC3, BC4 (100mm/4in conduit holders)

Item	Component Name	BC2	BC3	BC4
A	M8 Channel Nut	4	6	8
B	100 K Bracket	2	3	4
C	100 C Bracket	4	6	8
D	M8 Shakeproof Washer	4	6	8
E	M8 x 22mm Hex Bolt	4	6	8
F	M8 x 35mm Hex Bolt	2	3	4
G	M8 x 17mm Flat Washer	2	3	4
H	M8 Nyloc Nut	6	9	12
I	Instructions	1	1	1



FOR BC2-150, BC3-150 (150mm/6in conduit holders)

Item	Component Name	BC2	BC3
A	M8 Channel Nut	4	6
B	150 K Bracket	2	3
C	150 C Bracket	4	6
D	M8 Shakeproof Washer	4	6
E	M8 x 22mm Hex Bolt	4	6
F	M8 x 35mm Hex Bolt	2	3
G	M8 x 17mm Flat Washer	8	12
H	M8 Nyloc Nut	6	9
I	Instructions	1	1

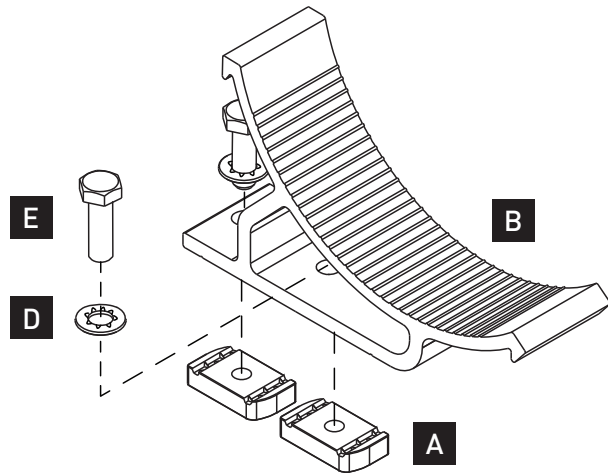


Tools Required:

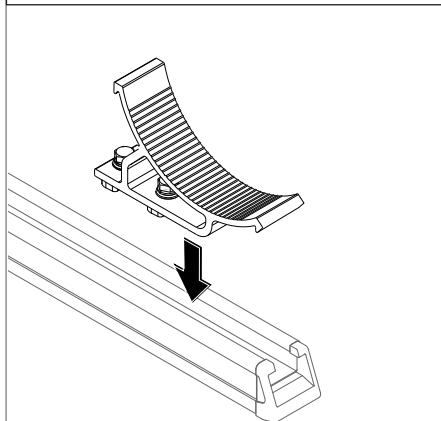
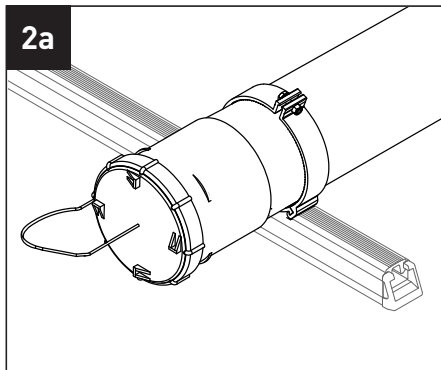
T1 - 13mm Spanner/ Socket Wrench

1

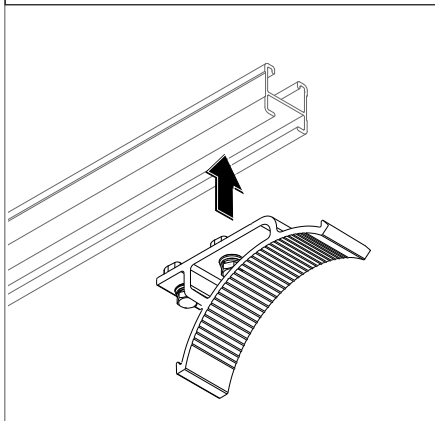
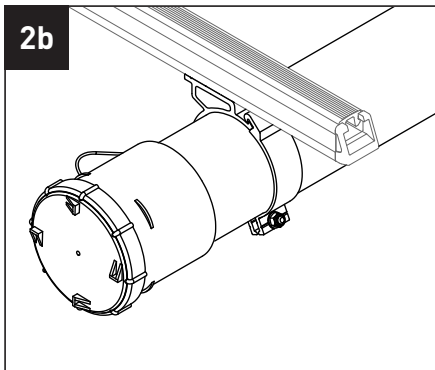
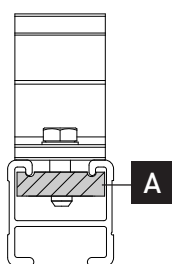
NOTE:
150mm/6in Clamps shown
in instructions, steps also
apply to 100mm/4in clamps.



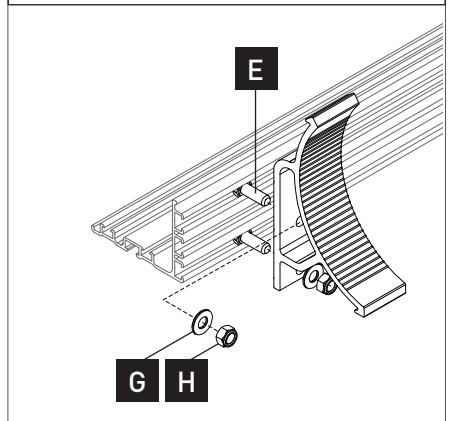
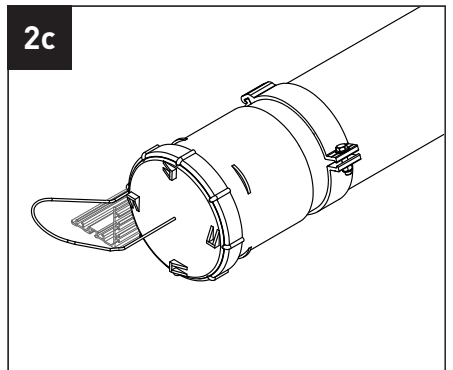
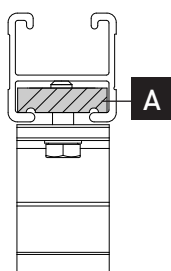
2 FITMENT POSITION OPTIONS:



SIDE VIEW



SIDE VIEW



SIDE VIEW

