



# RHINO-RACK

Aerodynamic & Heavy Duty Roof Rack Systems

## BC150 Rhino Ladder-Rack Systems - Conduit End Cap

Place these instructions in the vehicle's glove box after installation is complete.

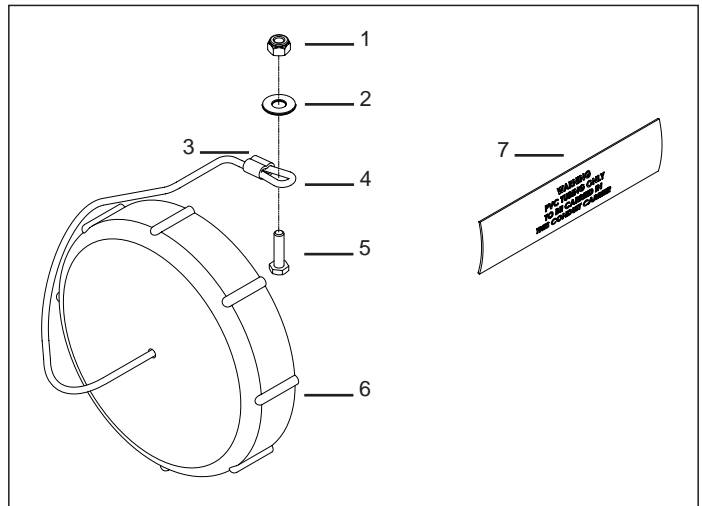
**Important:** Please read these instructions carefully prior to installation. Please refer to your fitting instruction to ensure that the roof racks are installed in the correct locations. Check the contents of kit before commencing fitment and report any discrepancies.

### Parts List

Item	Component Name	Qty	Part No.
1	M5 Nyloc Nut	1	N029
2	3/16" x 3/4" Flat Washer	3	W038
3	Mini Double Crimp	2	C217
4	Trace Wire	1	C218
5	M5 x 20 Hex Bolt	2	B028
6	150mm PVC Access Cap	1	P009
7	Yellow Warning Sticker	1	S009
8	Fitting Instruction	1	RR138

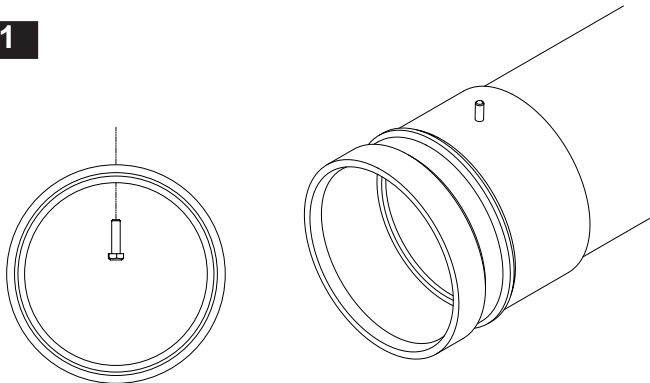
### Tools Required

8mm Spanner  
8mm Ratchet



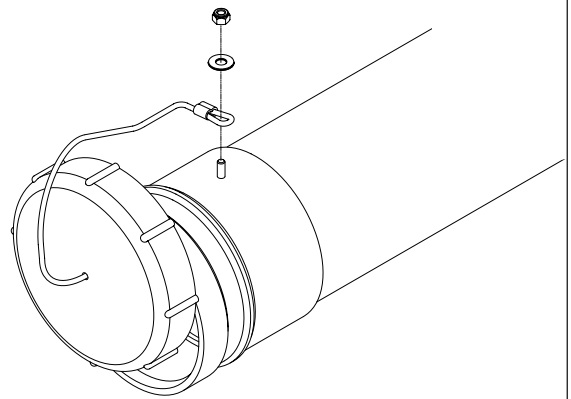
Insert the hex bolt through the conduit and coupling.

1



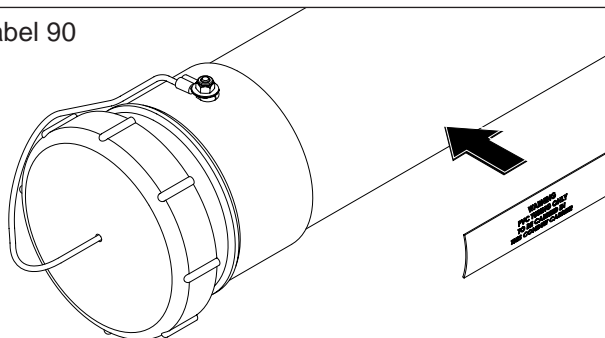
Place the wire trace over the hex bolt, assemble the flat washer and nyloc nut. Tighten the nyloc nut.

2



With the hex bolt pointing up place the warning label 90 degrees to the hex bolt.

3



Rhino-Rack  
3 Pike Street, Rydalmere,  
NSW 2116, Australia.  
(Ph) (02) 9638 4744  
(Fax) (02) 9638 4822

Document No: RR-138  
Prepared By: Craig Jones  
Authorised By: Gary England

Issue No: 01  
Issue Date: 03/07/2006