



RHINO-RACK

ARB - ASHD Fit Kit

Important: Please read these instructions carefully prior to installation. Please refer to your fitting instruction to ensure that the roof racks are installed in the correct locations. Check the contents of kit before commencing fitment and report any discrepancies. Place these instructions in the vehicle's glove box after installation is complete.

Parts List

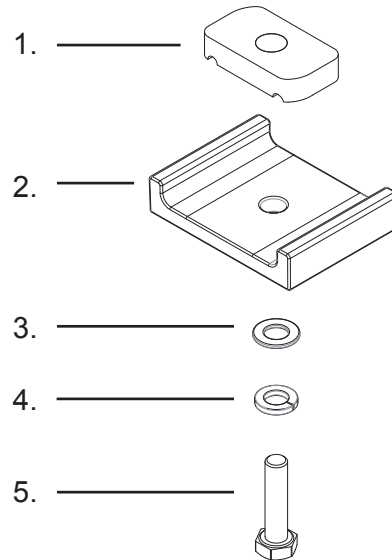
1	M6 Channel Nut	2	N002
2	ARB Ascent Canopy Adaptor	2	M735
3	M6 Flat Washer	2	W003
4	M6 Spring Washer	2	W004
5	M6 x 24 Hex Bolt	2	B067
6	Instructions	1	R467

Tools Required:

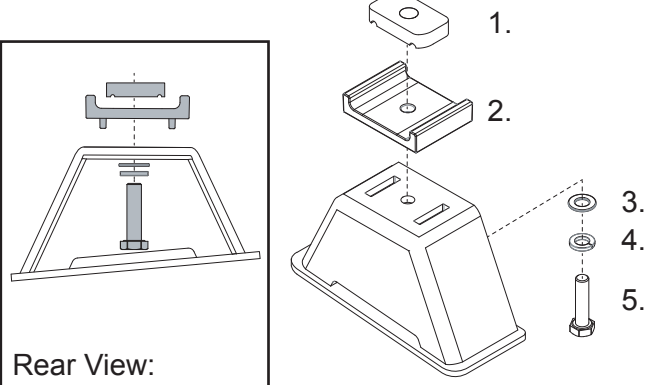
10mm Socket Wrench

Note:

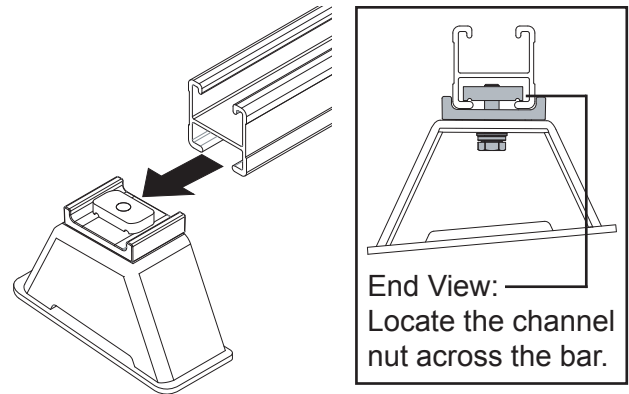
To be used in conjunction with the ARB Ascent Canopy Roof Bar Mount Kit. VA fitment shown using Ascent Canopy Roof Bar Kit existing parts.



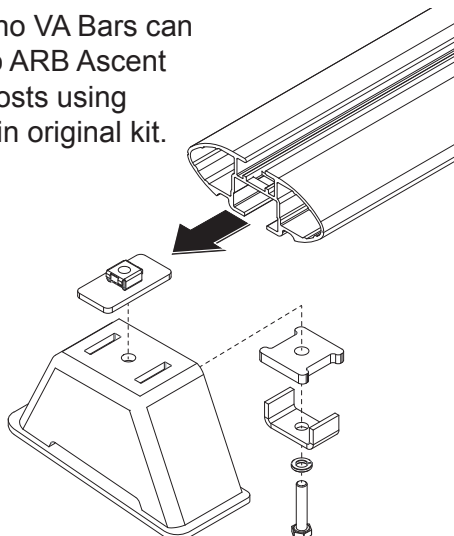
- 1** Install the ARB -ASHD Fit Kit hardware in into the ARB Ascent Canopy posts as shown.



- 2** Slide the Heavy Duty Bar across the channel nut. Using a 10mm wrench, tighten the hex bolt in place. Do not over tighten.



- 3** **Note:** Rhino VA Bars can be fitted to ARB Ascent Canopy Posts using hardware in original kit.



Note for Dealers and Fitters:

It is your responsibility to ensure these fitting instructions are given to the end user or client.

Rhino-Rack
 3 Pike Street, Rydalmere,
 NSW 2116, Australia.
 (Ph) (02) 9638 4744
 (Fax) (02) 9638 4822

Document No: R467

Prepared By: Kayle Everett

Authorised By: Chris Murty

Issue No: 01

Issue Date: 06/08/2014

These instructions remain the property of Rhino-Rack Australia Pty Ltd and may not be used or changed for any other purpose than intended.