

# RHINO-RACK®

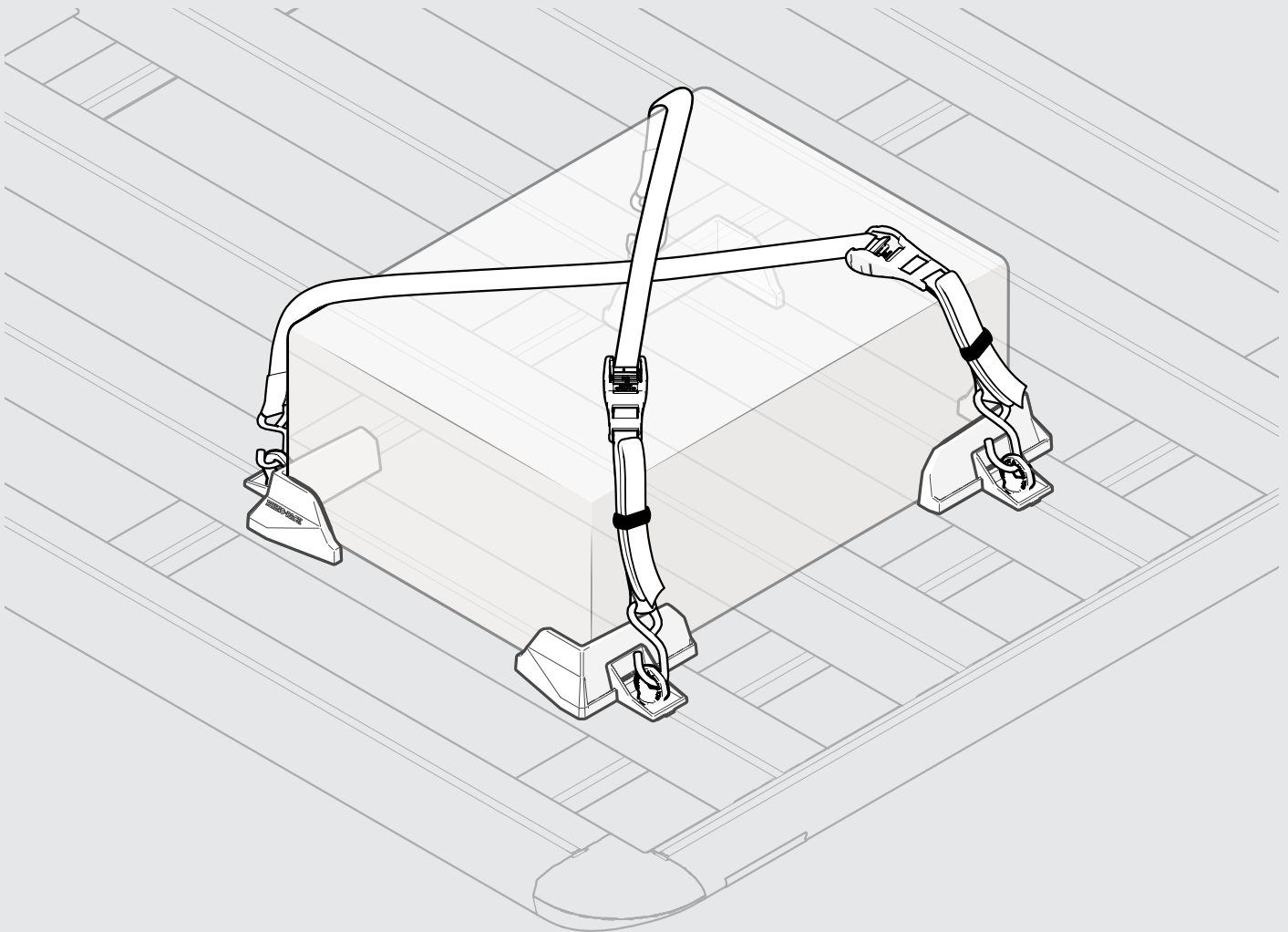
## Cargo Corner Brackets

61020

**Important:**

1. Check the Rhino-Rack website to ensure you have the latest issue of these instructions.
2. Please refer to your fitting instruction to ensure that the roof racks are installed in the correct locations.
3. Check the contents of kit before commencing fitment and report any discrepancies.
4. Place these instructions in the vehicle's glove box after installation is complete.
5. These instructions must be followed for warranty to be upheld.

**Fit Time:** 10 mins



**RHINORACK.COM**

Doc. No: 520-RFI-00173

Issue No: 01

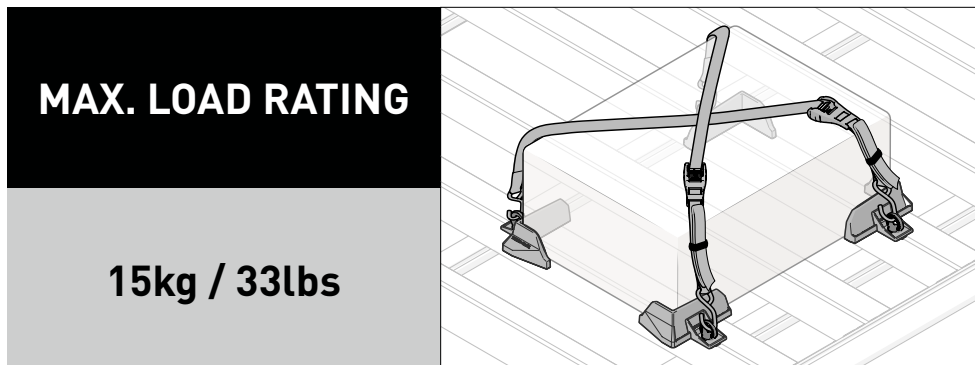
Issue Date: 25/01/2024

## Carrying Capacity

---

Check the vehicle owners hand book for your vehicle manufacturer's maximum carrying capacity.  
Do not exceed the vehicle manufacturer's maximum roof carrying capacity.  
The weight of the roof racks, accessories, and cargo must be included in the total vehicle roof load.

**Strap Lashing Capacity:** 150.0kg / 330.7lbs



## Warning

---

- Do not attempt to fit the accessory to your vehicle unless you fully understand these fitting instructions. Please direct any questions regarding fitting to the dealer from where the product was purchased.
- Off-road conditions can be much more rigorous. Extreme care must be taken in off road conditions.
- Accessory must be removed when vehicle is put through an automatic car wash.
- Always ensure you fasten your load securely.
- Ensure product is locked before driving.
- It is important that all roof racks and accessories are installed and attached correctly.
- Failure to follow the correct attachments could result in an accident, serious injury or death.
- The driver of the vehicle is responsible for securing the roof racks and accessories, checking the attachments, periodically checking bolt torque and visual inspection of all components for wear damage.
- **Use only non stretch fastening ropes or straps.**

## In service maintenance checks

---

- All bolt connections should be checked after driving a short distance when you first install your roof racks.
- All bolted connections should be checked again at regular intervals (weekly is recommended, depending on road conditions, usage, loads and distances travelled).
- All bolted connections should be checked each time they are re-fitted.
- Off-road conditions are more rigorous. Check all bolted connections and your load more regularly.
- Ensure that your vehicle manufacturer's GVM, and gross axle weights are not exceeded (refer to vehicle owner's manual).

## Sensitivity to Crosswinds, Behaviour in Curves and Braking.

---

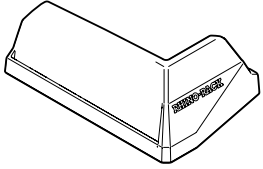
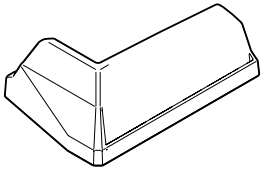
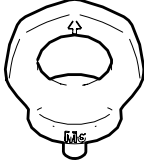
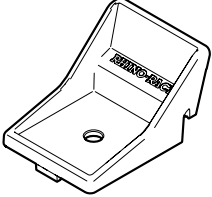
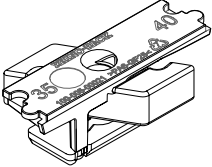
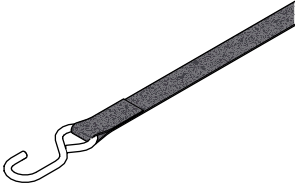
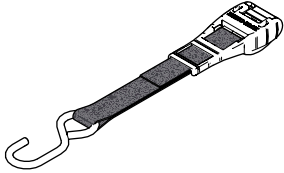

Remember that the handling characteristics of your vehicle will change when transporting a load on the roof.  
Exercise extreme care when transporting wind-resisting loads; special consideration must be taken into account when braking.

## Note for Dealers and Fitters

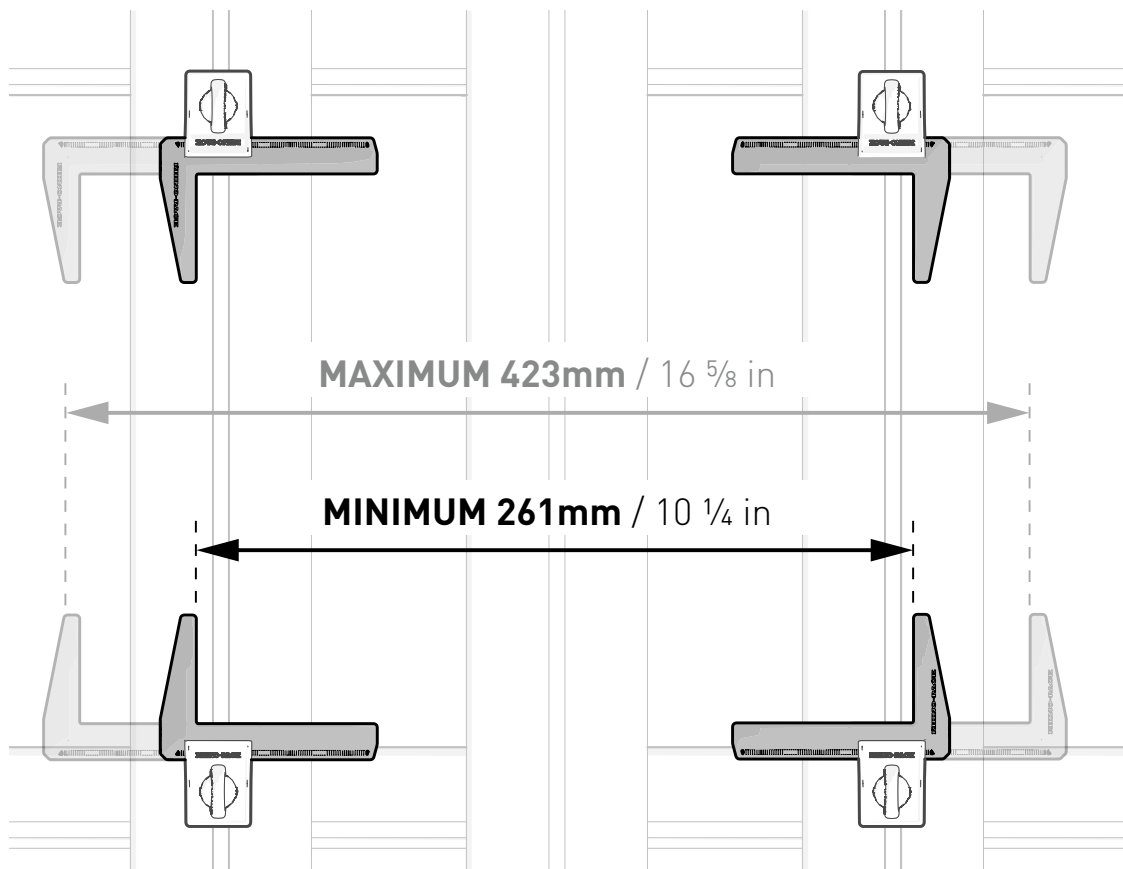
---

It is your responsibility to ensure these fitting instructions are given to the end user or client. These instructions remain the property of Rhino-Rack Australia Pty. Ltd. and may not be used or changed for any other purpose than intended.

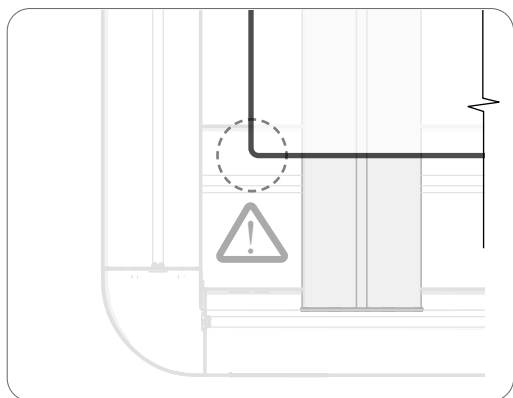
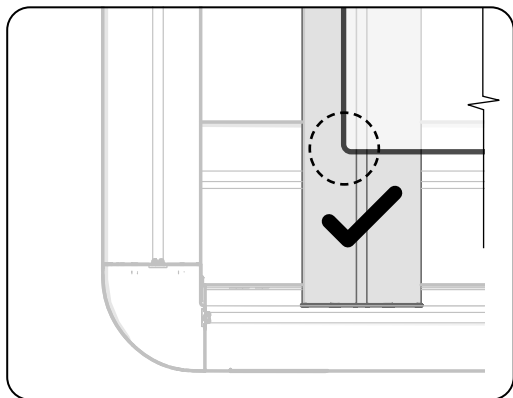
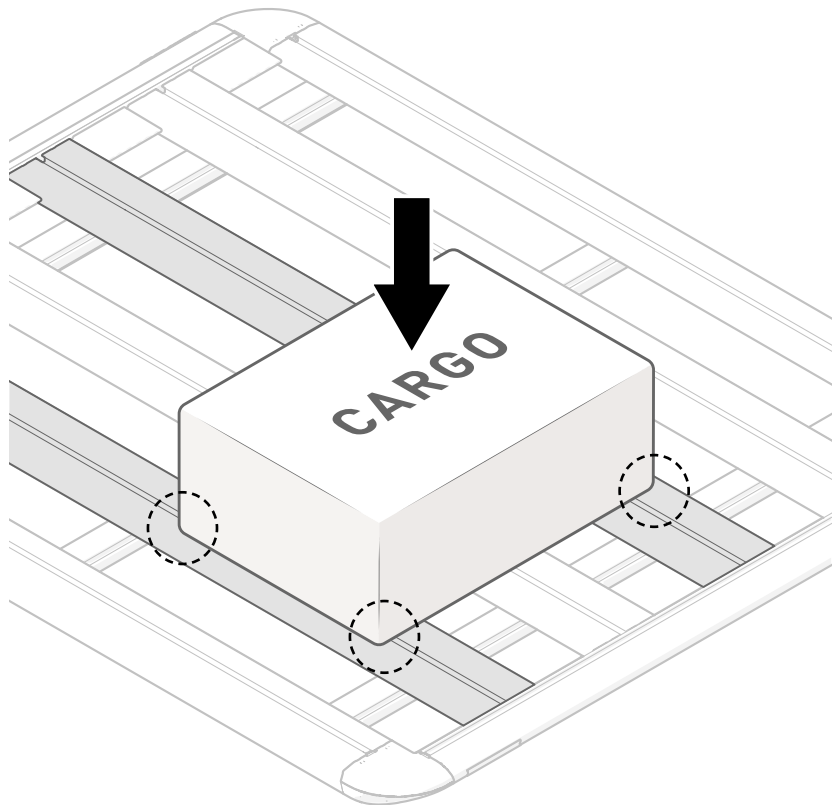
Parts List

<p>Corner Bracket LHS (Logo)</p>  <p><b>A</b> x2</p>	<p>Corner Bracket RHS</p>  <p><b>B</b> x2</p>	<p>M6 Eyebolt</p>  <p><b>C</b> x4</p>	<p>Clamp</p>  <p><b>D</b> x4</p>
<p>ZWIFLOC™</p>  <p><b>E</b> x4</p>	<p>Long Strap</p>  <p><b>F</b> x2</p>	<p>Short Strap</p>  <p><b>H</b> x2</p>	<p>Instructions</p>  <p><b>I</b> x1</p>

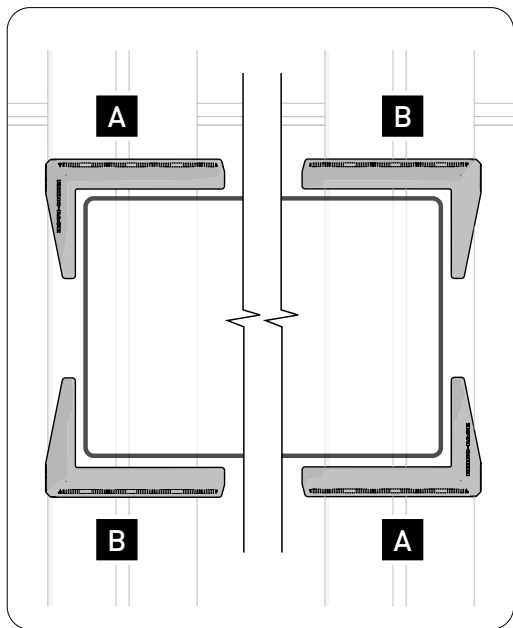
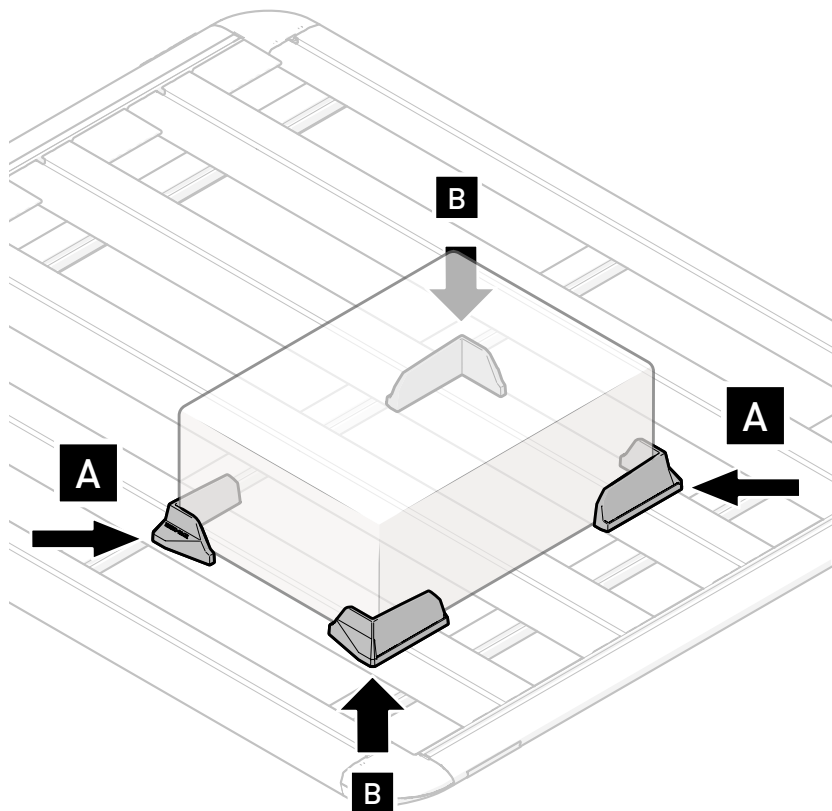
Bracket Lateral Range



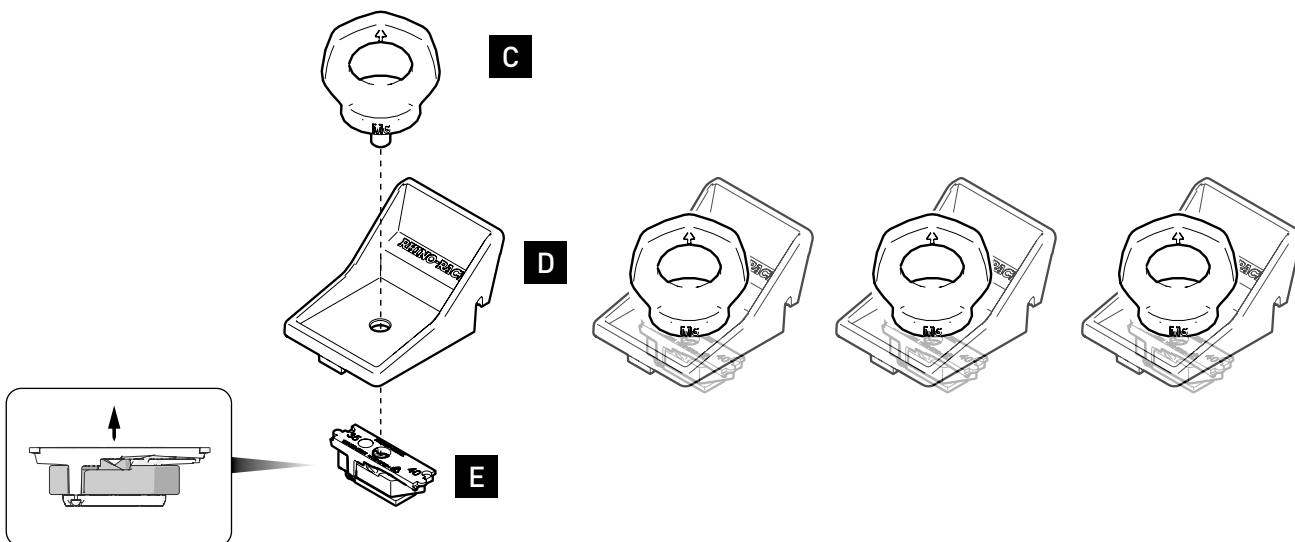
**1** Place box onto platform, aim to have corners as close to planks as possible



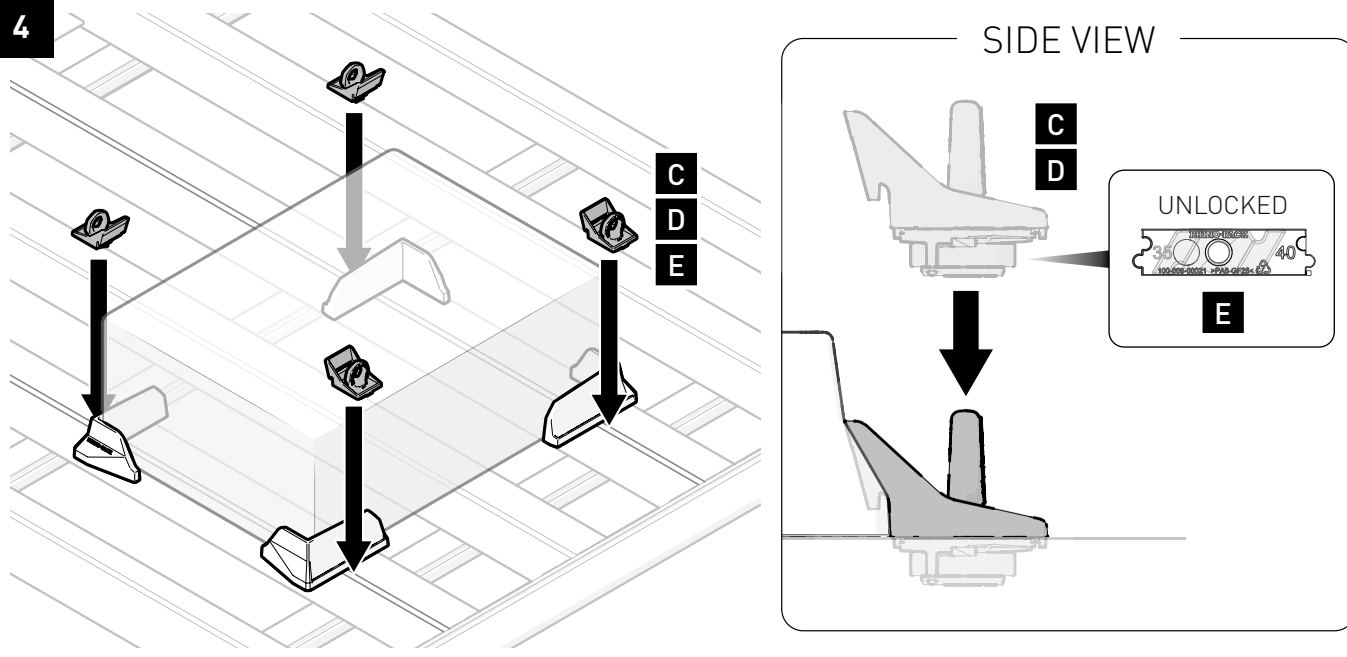
**2**



3

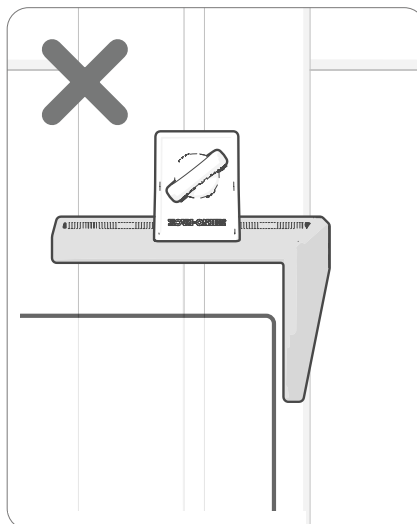
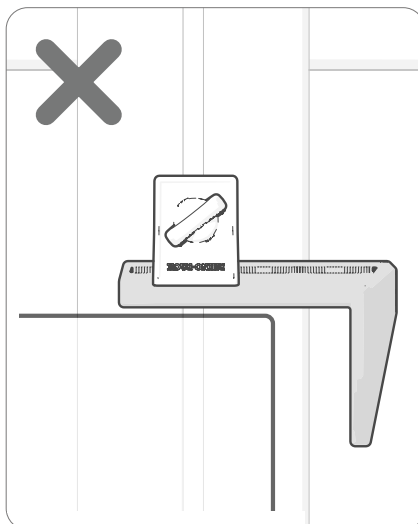
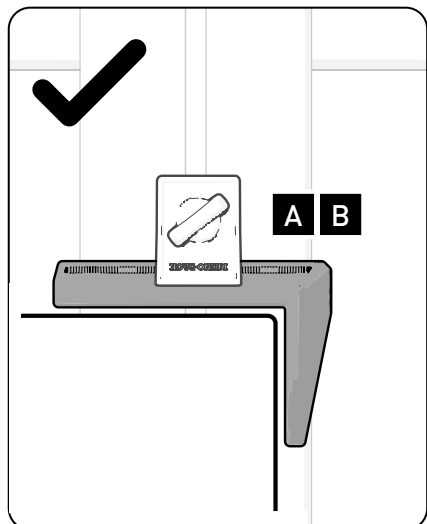


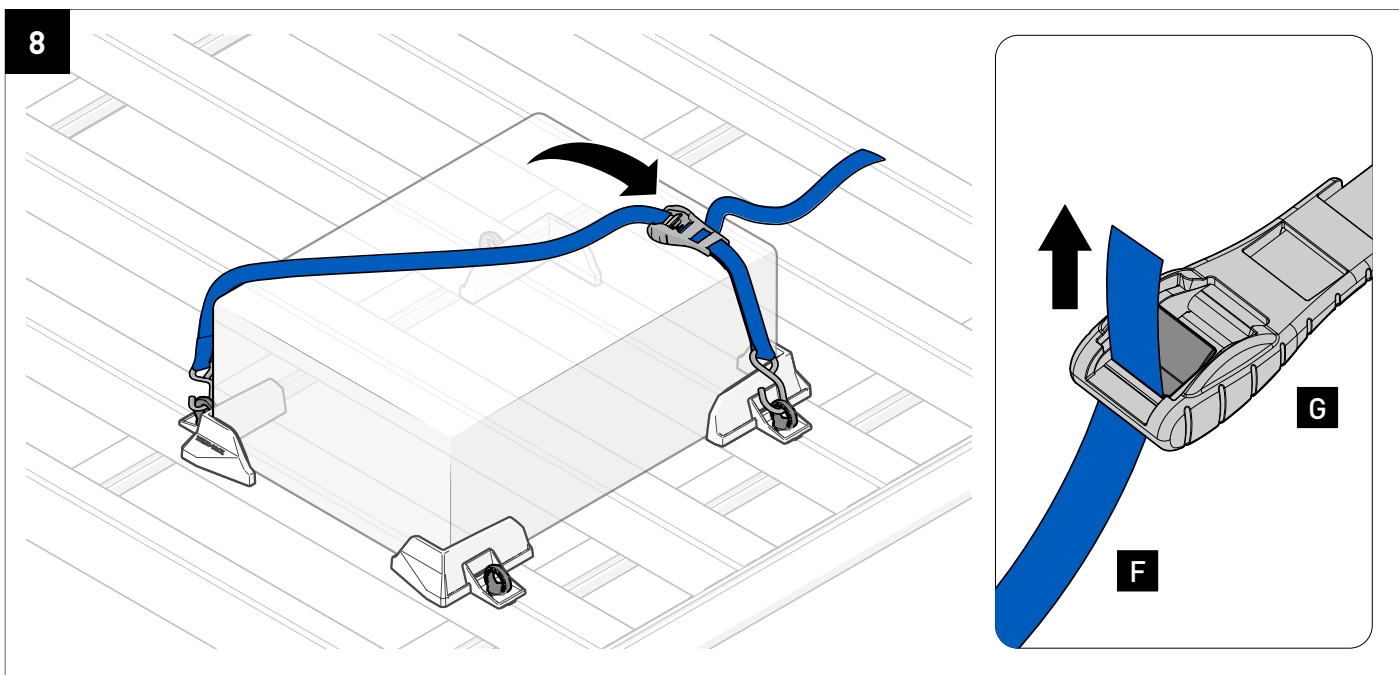
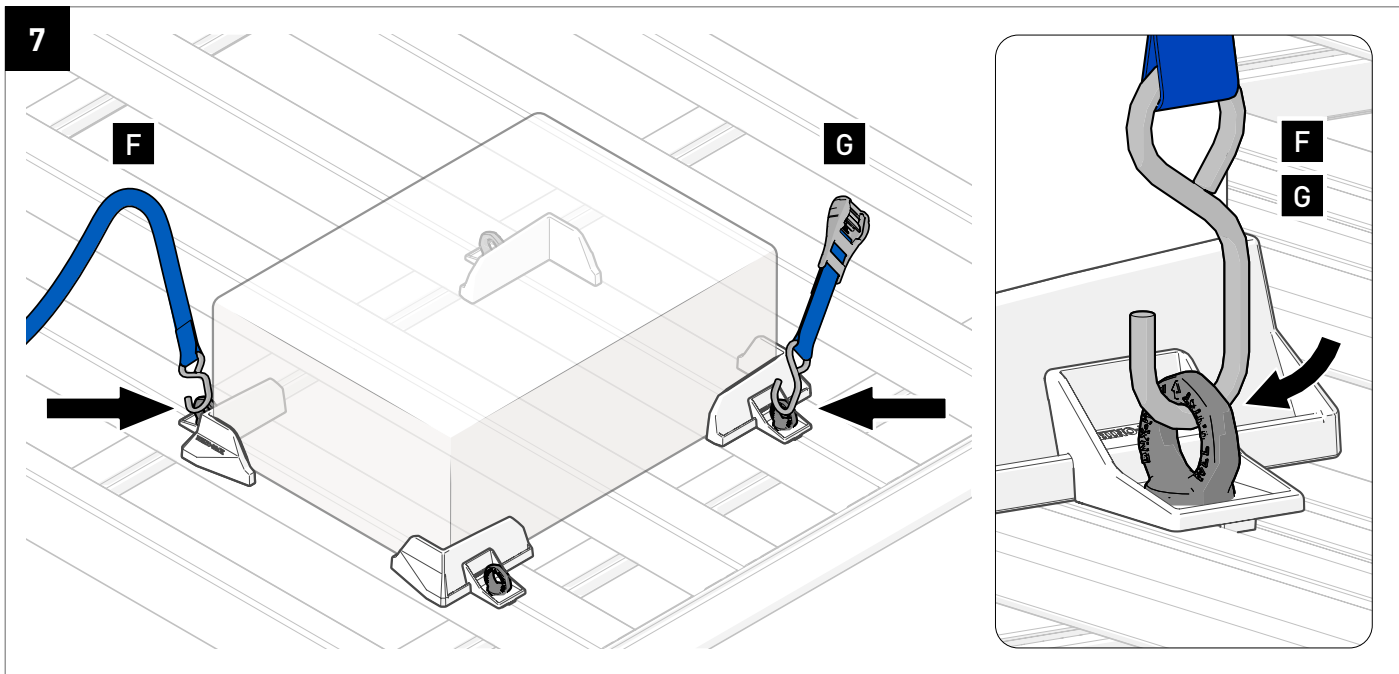
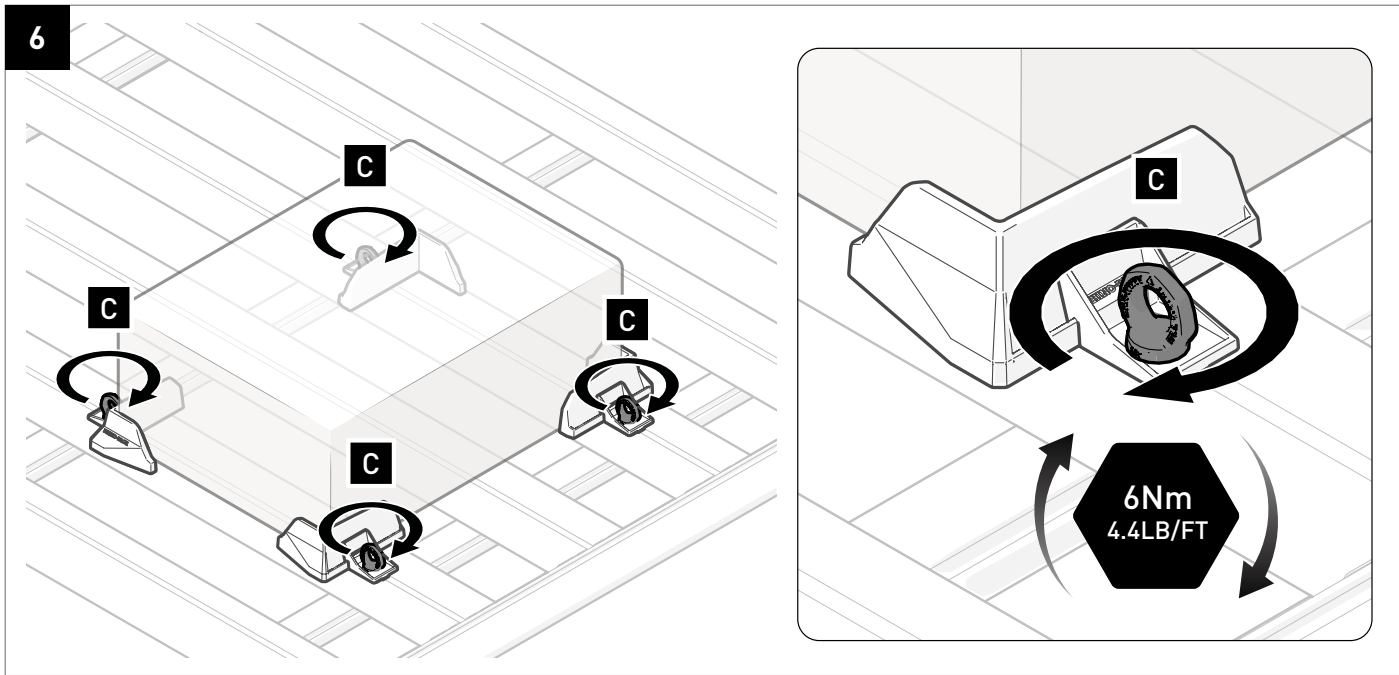
4



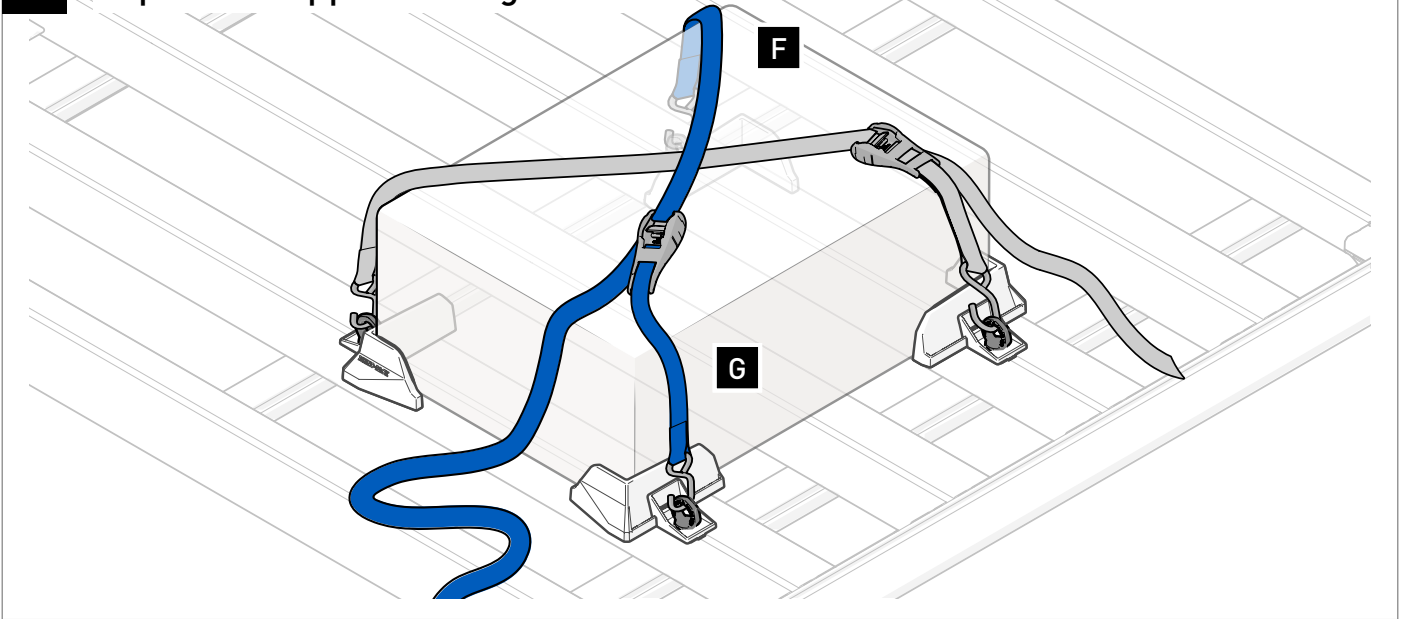
5

Adjust all corner brackets

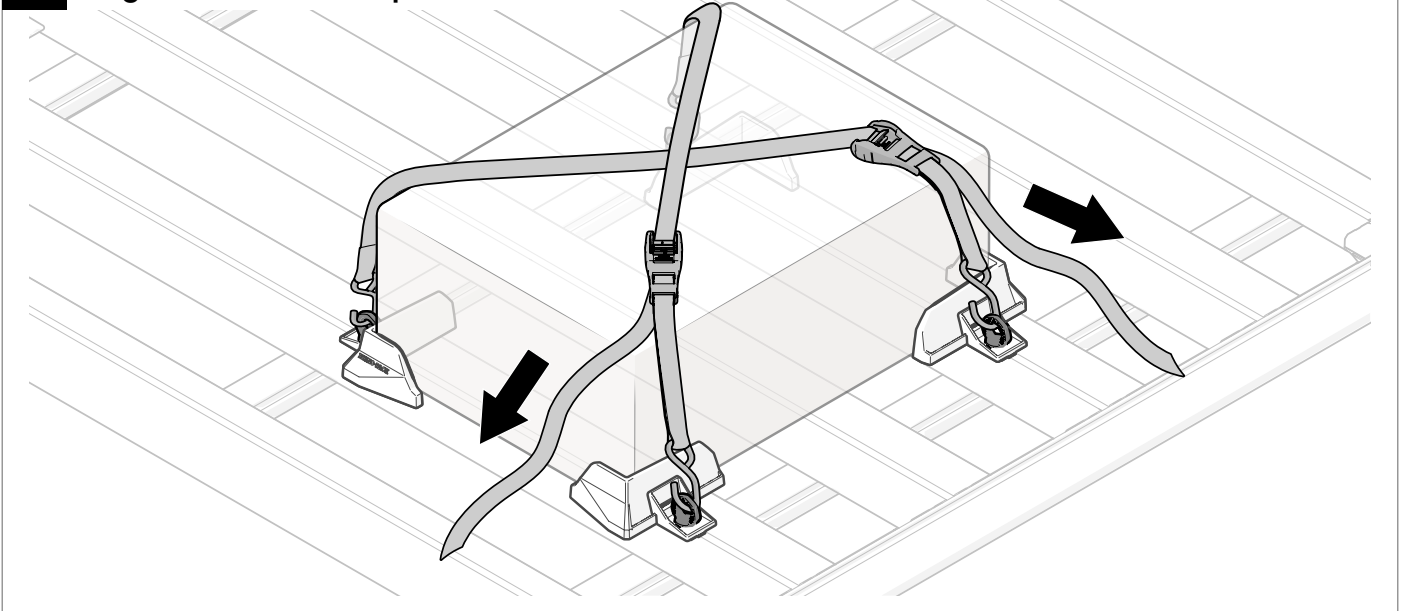




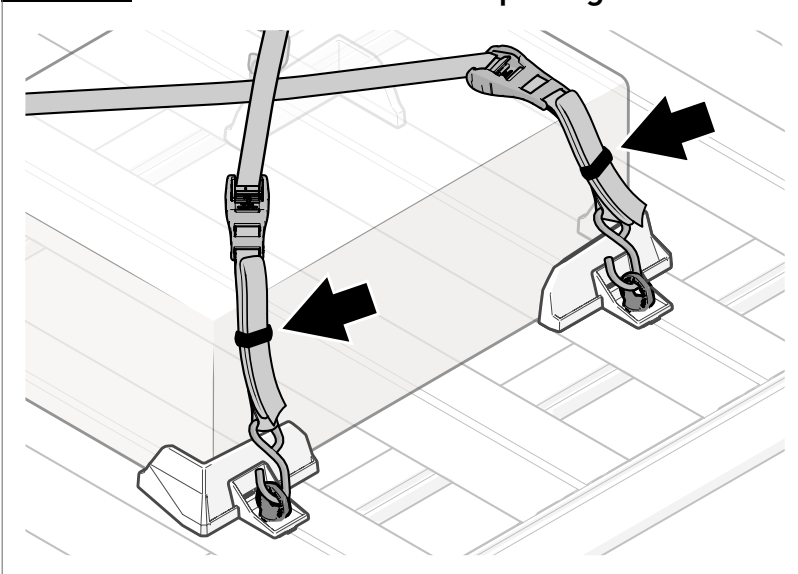
**9** Repeat for opposite diagonal

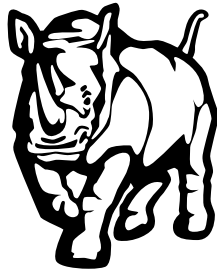


**10** Tighten both straps



**NOTE** Secure excess strap length





**RHINO-RACK®**

MAKE SPACE FOR ADVENTURE

**RHINORACK.COM**

**Rhino-Rack AUSTRALIA**

22A Hanson Pl,  
Eastern Creek, NSW, 2766

**Rhino-Rack USA**

19822 E 22nd Ave,  
Aurora, CO, 80011