

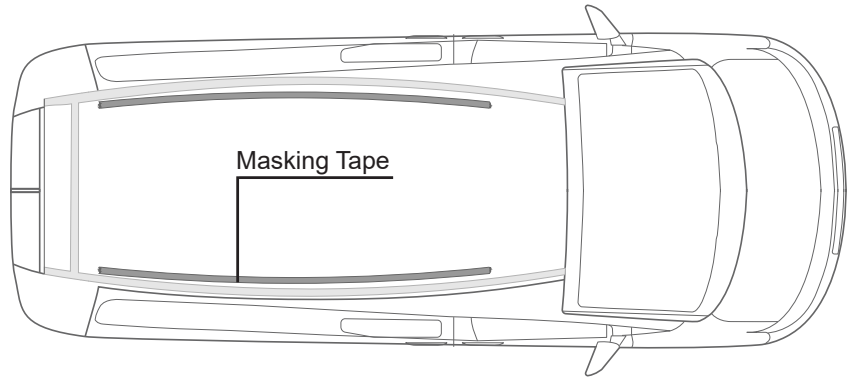
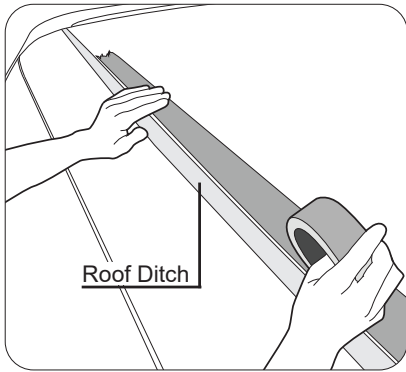


RHINO-RACK®

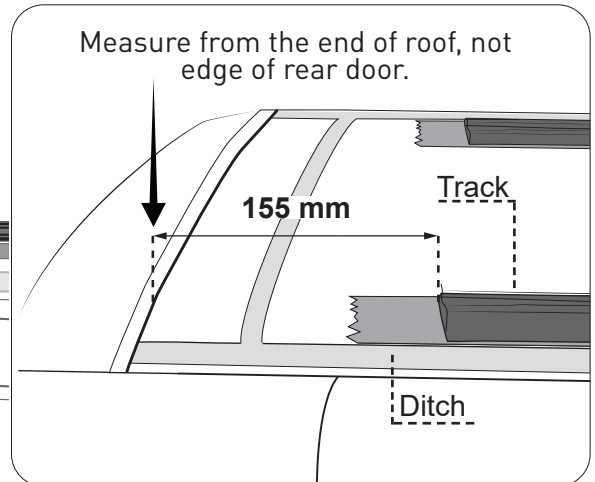
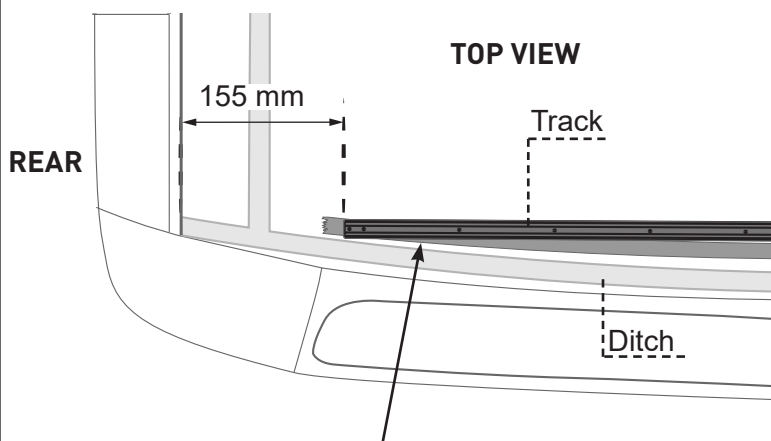
Farizon Supervan Gen 1 LWB High Roof Track Mount Supplement

- 1** Using 50 mm wide masking tape, tape over the roof adjacent to the inside edge of the ditch, running along its length.

Compatible Legs: RCP58-BK + RX300H/RCH, OR RLT600



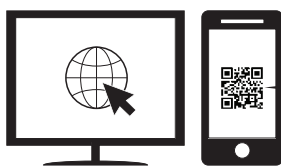
- 2** Place the Tracks on the masking tape 155 mm from the **end of the roof**. Both ends of the track should sit next to the inside edge of the ditch.



NOTE: Due to the curve of the roof ditch only the ends of the track will sit next to the inside edge of the ditch.

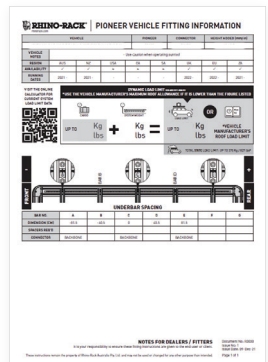
Follow steps **3** onwards from the RTV Track Instruction R865 to complete track installation.

PLATFORM INSTALLATION



rhinorack.com/roof

1. Complete **Fit my vehicle** journey
2. Select your **Product Solution**
3. Scroll down to **'Product Details'**
4. Select the **'INSTRUCTIONS'** tab to View the Fitting Chart
5. Space your Underbars to the **A, B & C** dimensions provided.



VIEW FITTING CHART



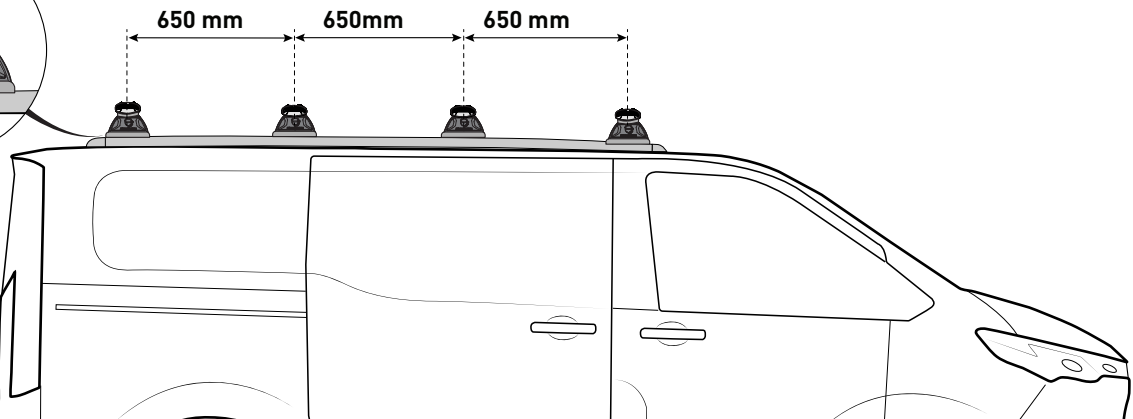
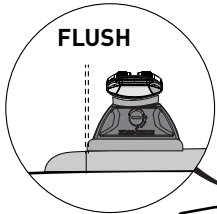
Farizon Supervan Gen 1 LWB High Roof Track Mount Supplement

CROSSBAR INSTALLATION

4 BAR

VA, SPORTZ & RD

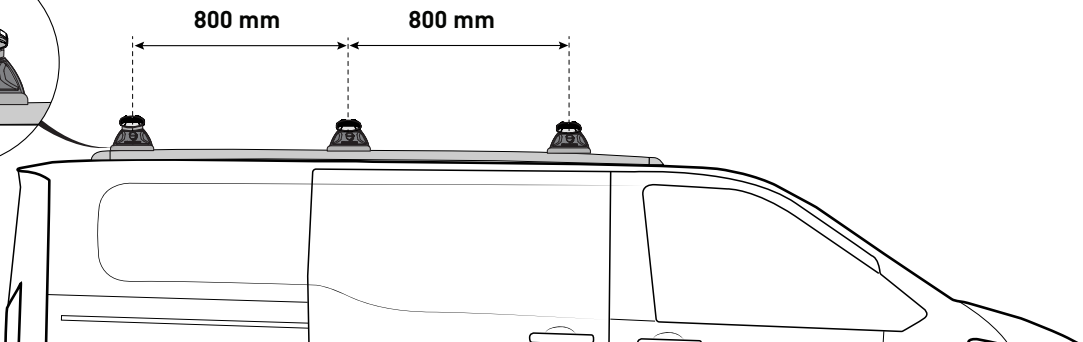
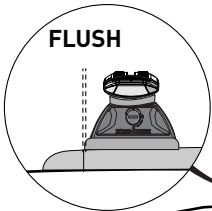
HEIGHT ADDED: 115 mm



3 BAR

VA, SPORTZ & RD

HEIGHT ADDED: 115 mm



2 BAR

VA, SPORTZ & RD

HEIGHT ADDED: 115 mm

Recommended Spacing
700-800 mm

NOTE: Position legs along the track as desired.

