

RHINO-RACK®

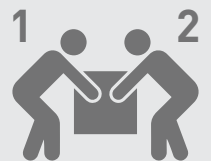
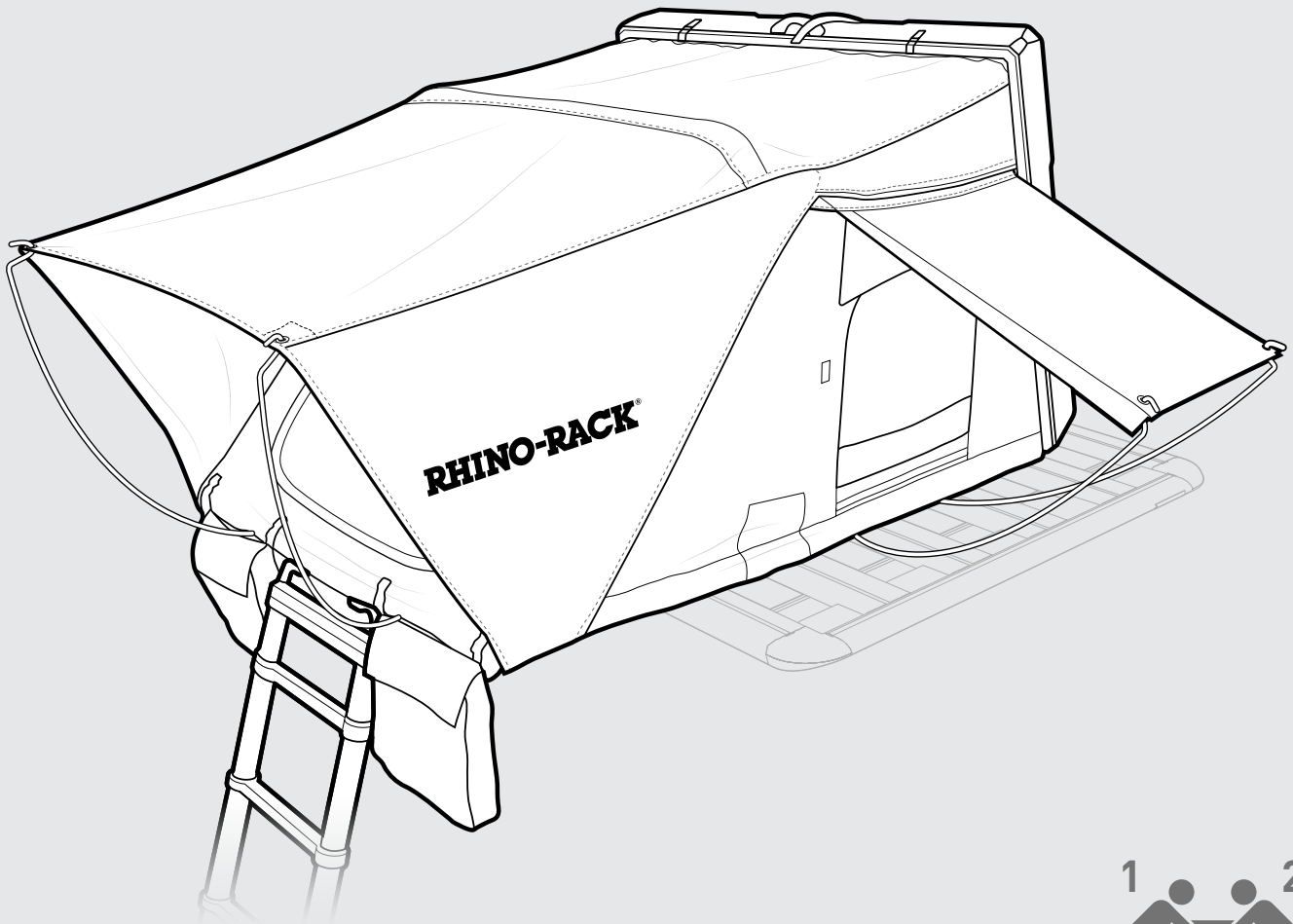
Roof Top Tent 2 Person Folding Hardshell

61002

Important:

1. Check the Rhino-Rack website to ensure you have the latest issue of these instructions.
2. Please refer to your fitting instruction to ensure that the roof racks are installed in the correct locations.
3. Check the contents of kit before commencing fitment and report any discrepancies.
4. Place these instructions in the vehicle's glove box after installation is complete.
5. These instructions must be followed for warranty to be upheld.

Fit Time: 30 mins



RHINORACK.COM

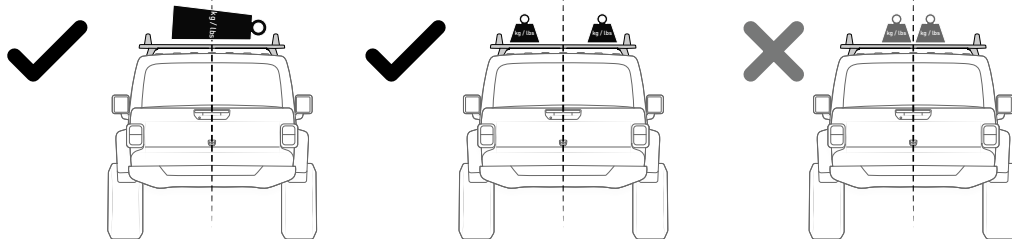
Doc. No: 520-RFI-00170

Issue No: 05

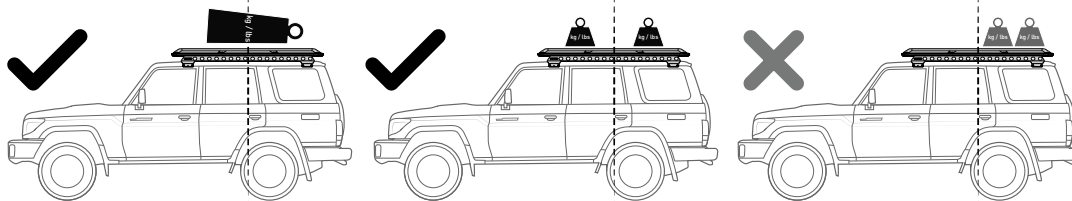
Issue Date: 02/12/2024

CONTENTS

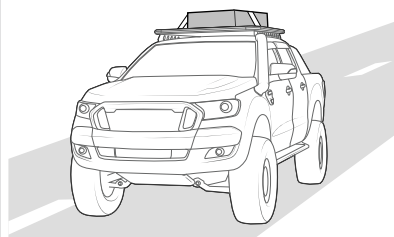
3	WARNINGS
4	CARRYING CAPACITY
4	GENERAL WARNINGS
4	WARRANTY
5	SPECIFICATIONS
5	CLOSED DIMENSIONS
5	OPENED DIMENSIONS
5	TENT OVERVIEW
6	PARTS LIST
7	MOUNTING OPTIONS
8	UNPACKING CONTENTS
9	INSTALLATION
10	UNDERBAR INSTALLATION
13	MOUNT BRACKET + TENT INSTALLATION
20	TENT USAGE
20	OPENING THE HARDSHELL
21	LADDER SET UP
23	TENT SET UP
24	LED LIGHT BAR
24	TENT STOWAGE
27	TENT REMOVAL



Distribute loads evenly and longitudinally as low as possible over the span.



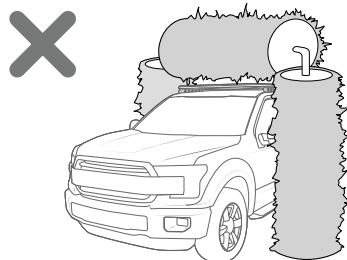
Avoid point loads concentrated at the front or rear.



Exercise extreme care when transporting wind-resistant loads. Special consideration must be taken when cornering and braking.



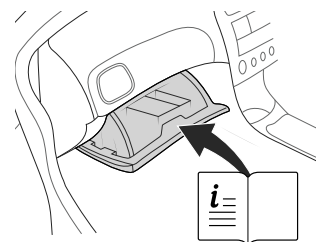
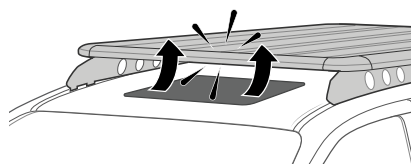
Off-road conditions can be much more rigorous. Extreme care must be taken on any driven path that does not contain a surface protection layer (tar/bitumen).



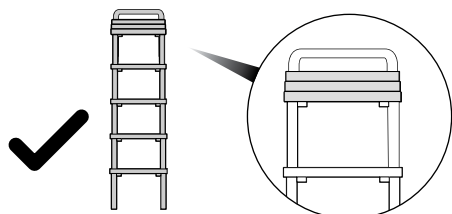
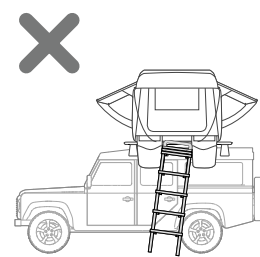
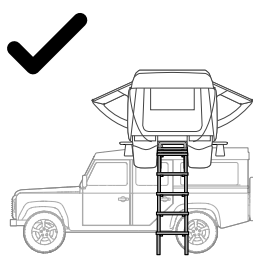
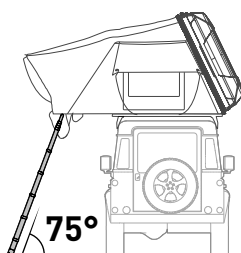
Racks must be removed when vehicle is put through an automatic car wash.



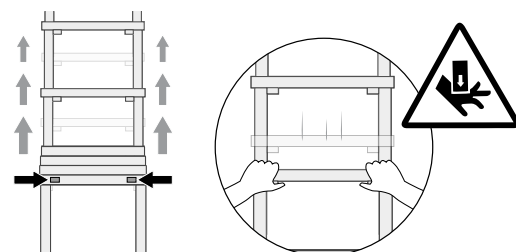
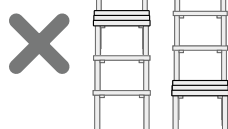
Ensure sunroof will not collide with roof rack system.



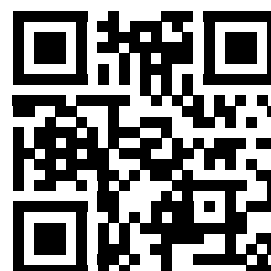
Ensure Ladder is well supported on the ground to support tent. Take extreme caution when climbing heights above 1.2m/4ft.



Collapse ONLY the **top-most** ladder rungs.



Youtube.com/Rhinorackaustralia



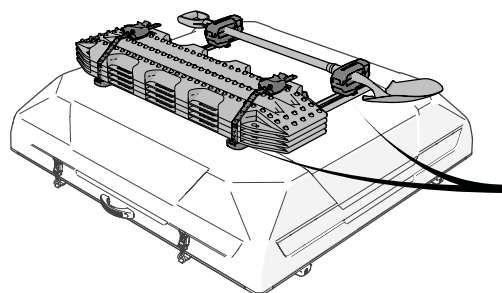
Carrying Capacity

Check your vehicle owners hand book for vehicle maximum carrying capacity. Please ensure you use the vehicle manufacturer's maximum roof allowance if it is lower than the figure listed in this instruction.

IMPORTANT: Ensure your vehicle roof has a load rating higher than the weight of both the tent and any mounted accessories, and a static load limit that can support the tent in use.

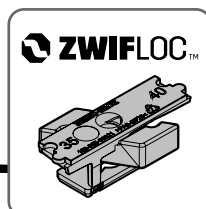
USING THE TENT-COVER TRACKS:

Tracks can be used like cross bars.



(Accessories not included)

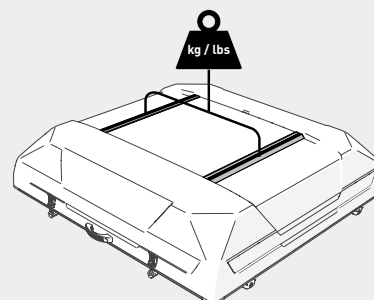
REQUIRED
HARDWARE:



MAXIMUM LOAD RATING

20kg / 44.1lbs

Load must be evenly distributed over BOTH tracks.



Warning

- Do not attempt to fit the accessory to your vehicle unless you fully understand these fitting instructions. Please direct any questions regarding fitting to the dealer from where the product was purchased.
- Off-road conditions can be much more rigorous. Extreme care must be taken in off road conditions.
- Rooftop Tent and Roof Rack System must be removed when vehicle is put through an automatic car wash.
- Ensure product is locked before driving.

In service maintenance checks

- All bolt connections should be checked after driving a short distance when you first install your roof racks.
- All bolted connections should be checked again at regular intervals (weekly is recommended, depending on road conditions, usage, loads and distances travelled).
- All bolted connections should be checked each time they are re-fitted.
- Off-road conditions are more rigorous. Check all bolted connections and your load more regularly.
- Ensure that your vehicle manufacturer's GVM, and gross axle weights are not exceeded (refer to vehicle owner's manual).

Sensitivity to Crosswinds, Behaviour in Curves and Braking.

Remember that the handling characteristics of your vehicle will change when transporting a load on the roof. Exercise extreme care when transporting wind-resisting loads; special consideration must be taken into account when braking.

Note for Dealers and Fitters

It is your responsibility to ensure these fitting instructions are given to the end user or client. These instructions remain the property of Rhino-Rack Australia Pty. Ltd. and may not be used or changed for any other purpose than intended.

Notes for Usage

As with all types of tents, to help maintain long life and best operational use of your equipment:

- If tent is packed away wet during use, ensure that it is opened at the next available opportunity to air and dry out.
- Fully drying and airing out a tent before placing back into longer term storage is particularly important.
- Particularly in colder conditions hot/humid air exhaled will naturally rise and moisture can then collect on inside surfaces. Wherever possible ensure roof vents are open and windows partially open to allow good air flow into and out of the tent.

Warranty

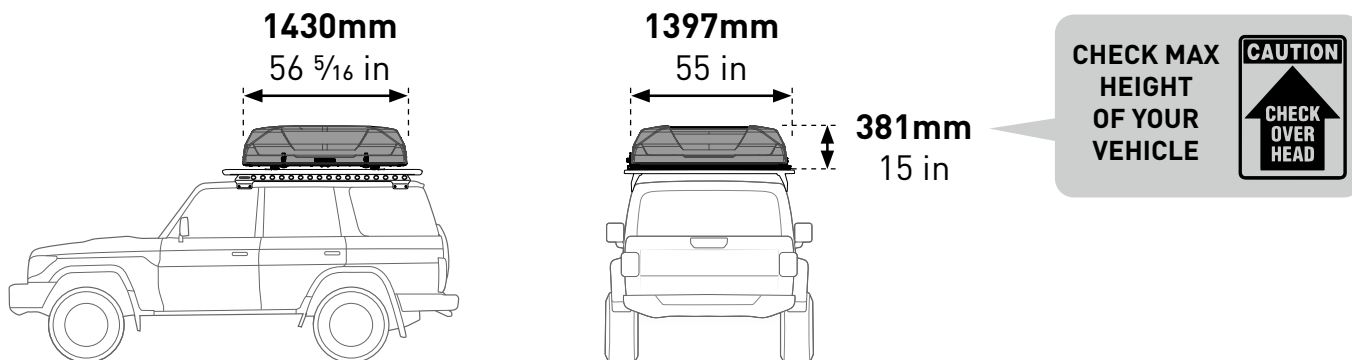
We love creating our products for you and hope you love using them too. For complete peace of mind, register your product at www.rhinorack.com/warranty. This way, we can quickly help you with any future approved fitment warranty claims.

And remember – never to forget to **Make Space For Adventure!**

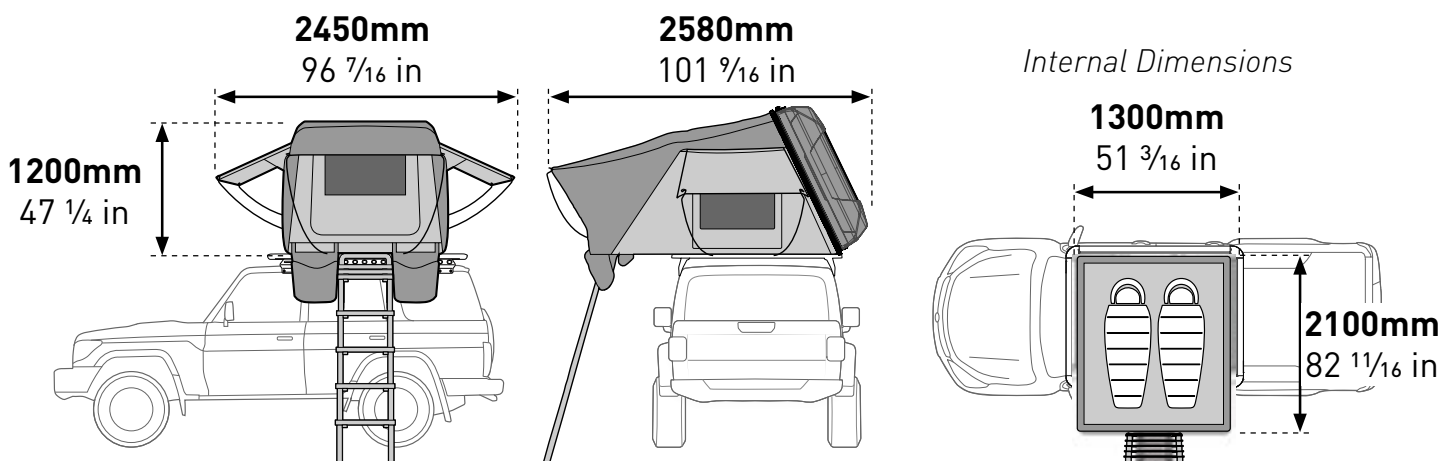
SPECIFICATIONS

Weight	63kg / 139lbs
Sleeping Capacity	2 people
Weight Capacity	300kg / 661bs

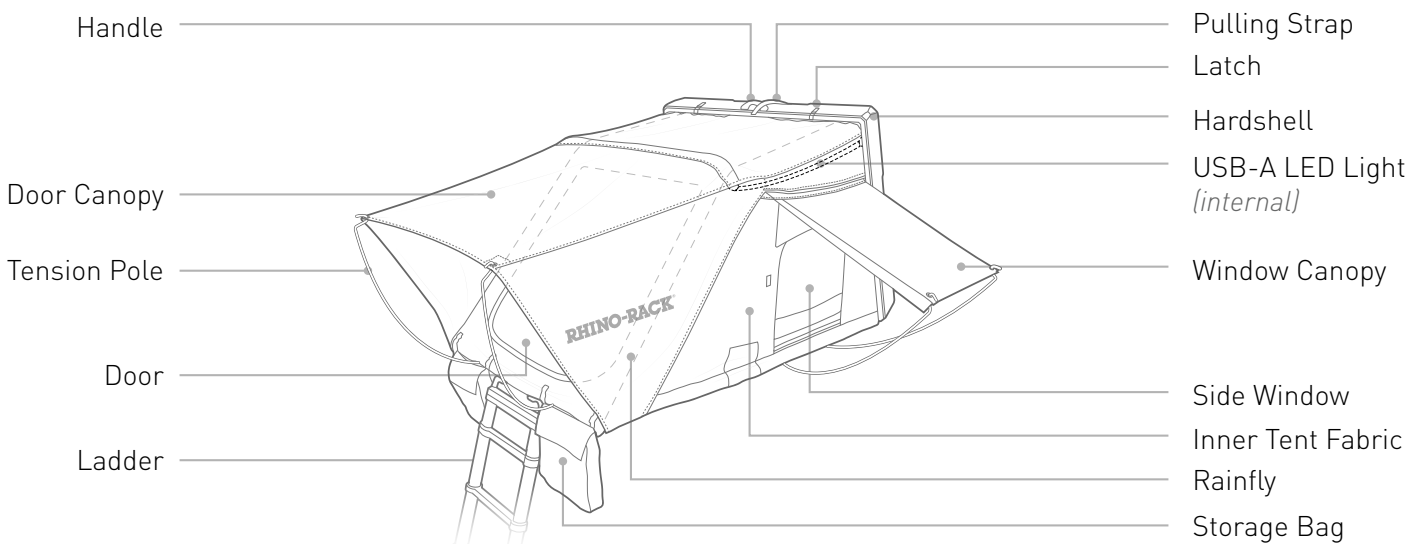
CLOSED DIMENSIONS



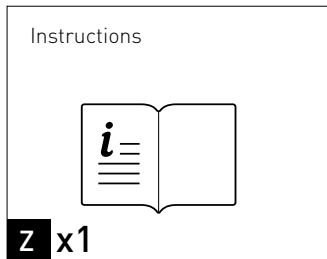
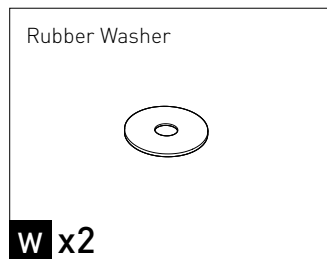
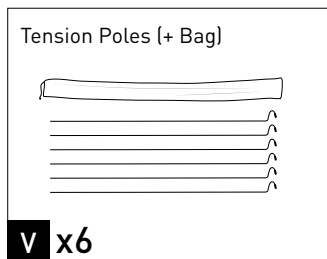
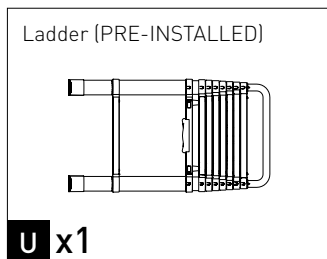
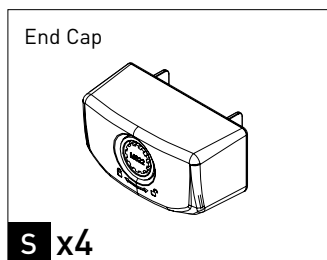
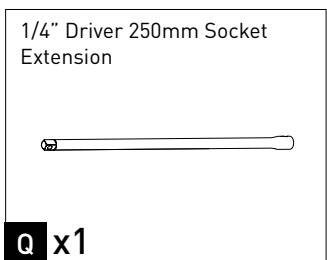
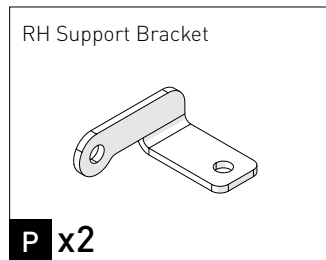
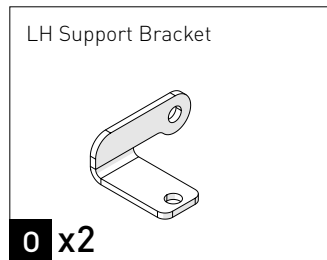
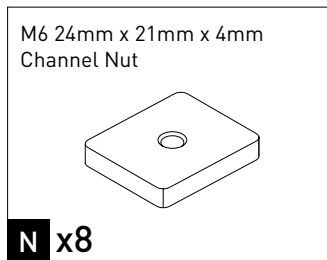
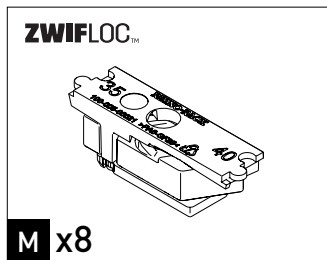
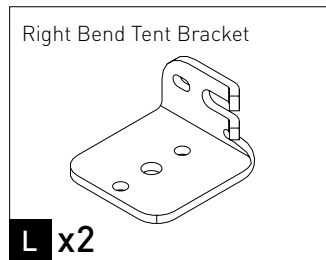
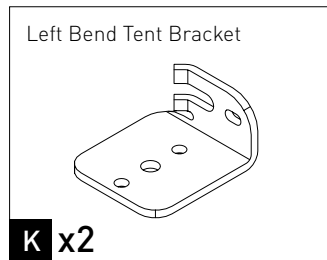
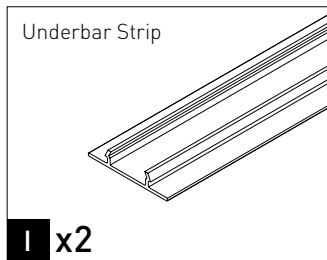
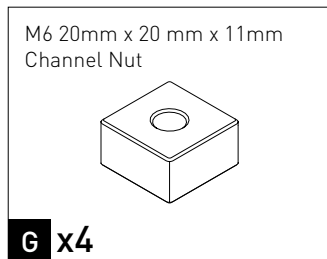
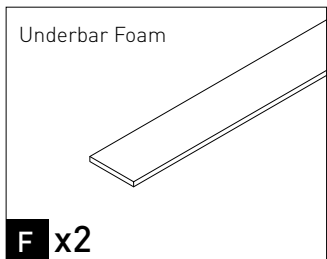
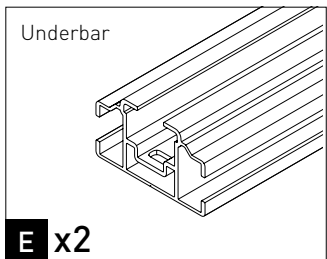
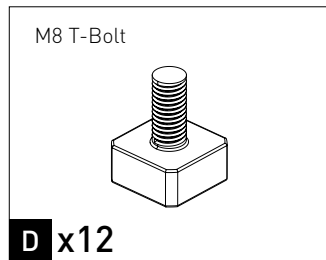
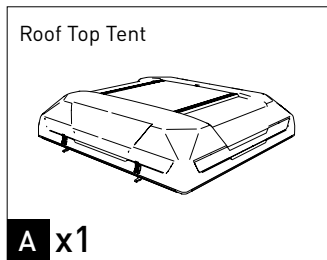
OPENED DIMENSIONS



OVERVIEW

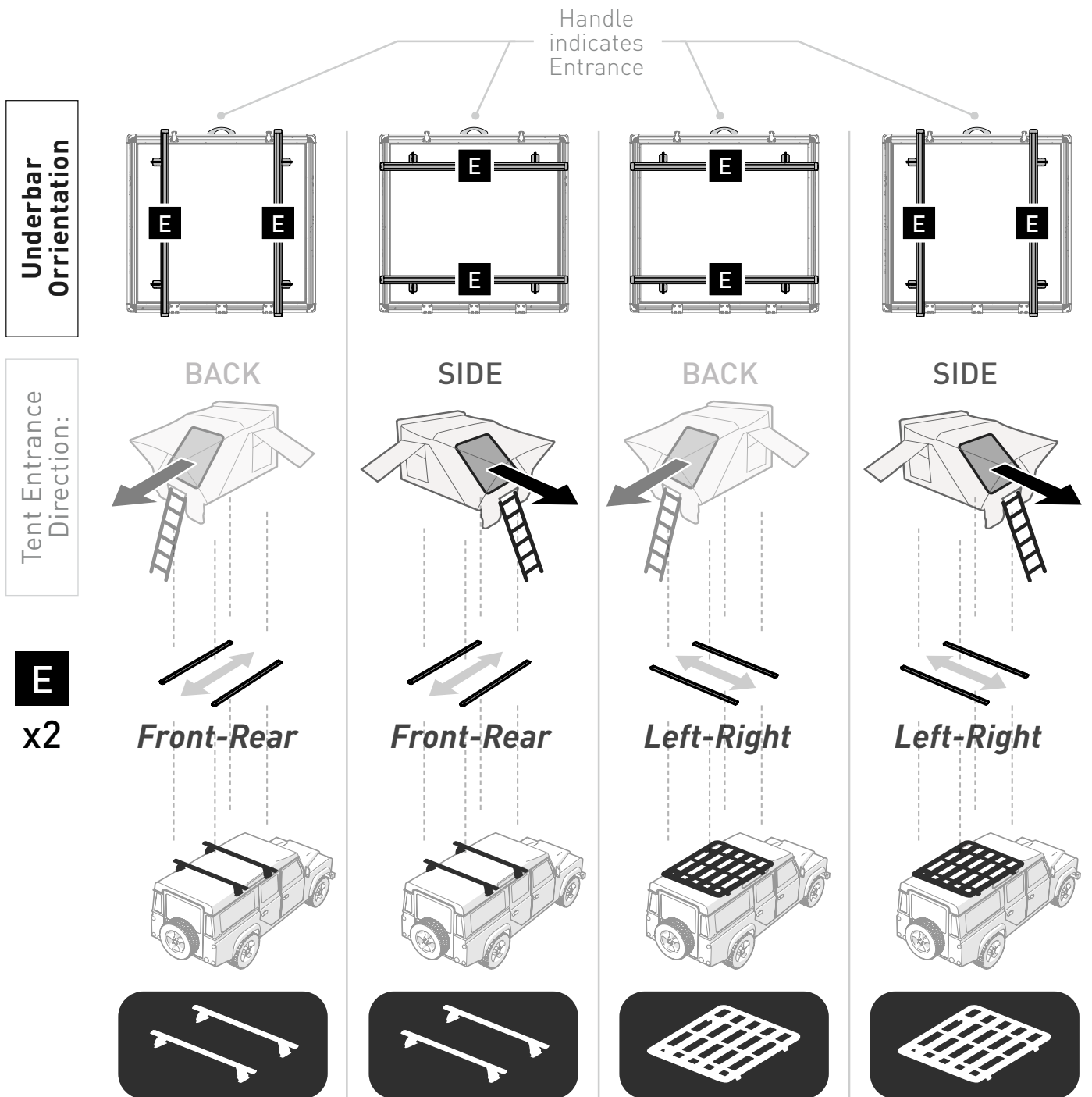


Parts

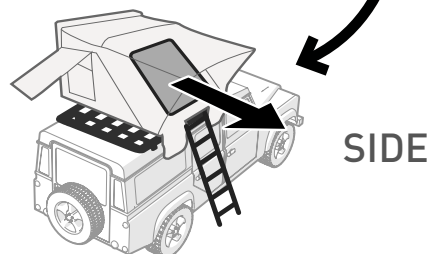


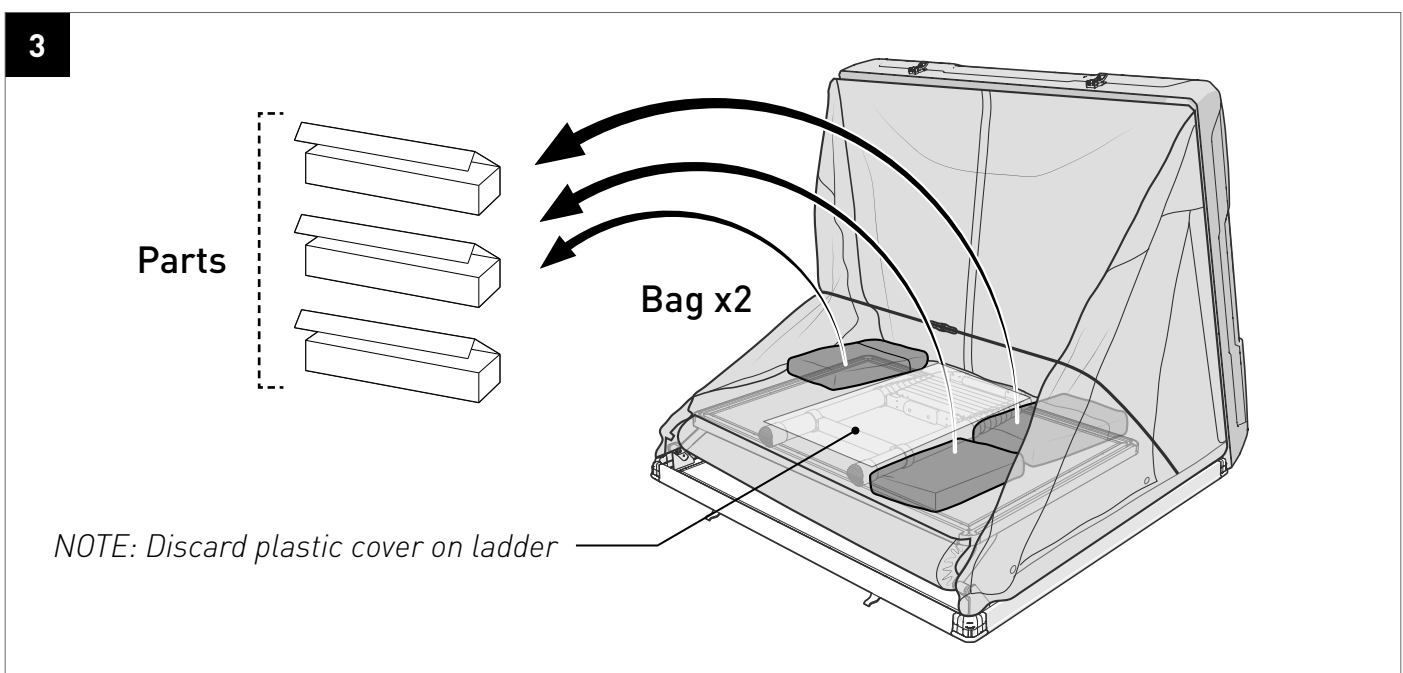
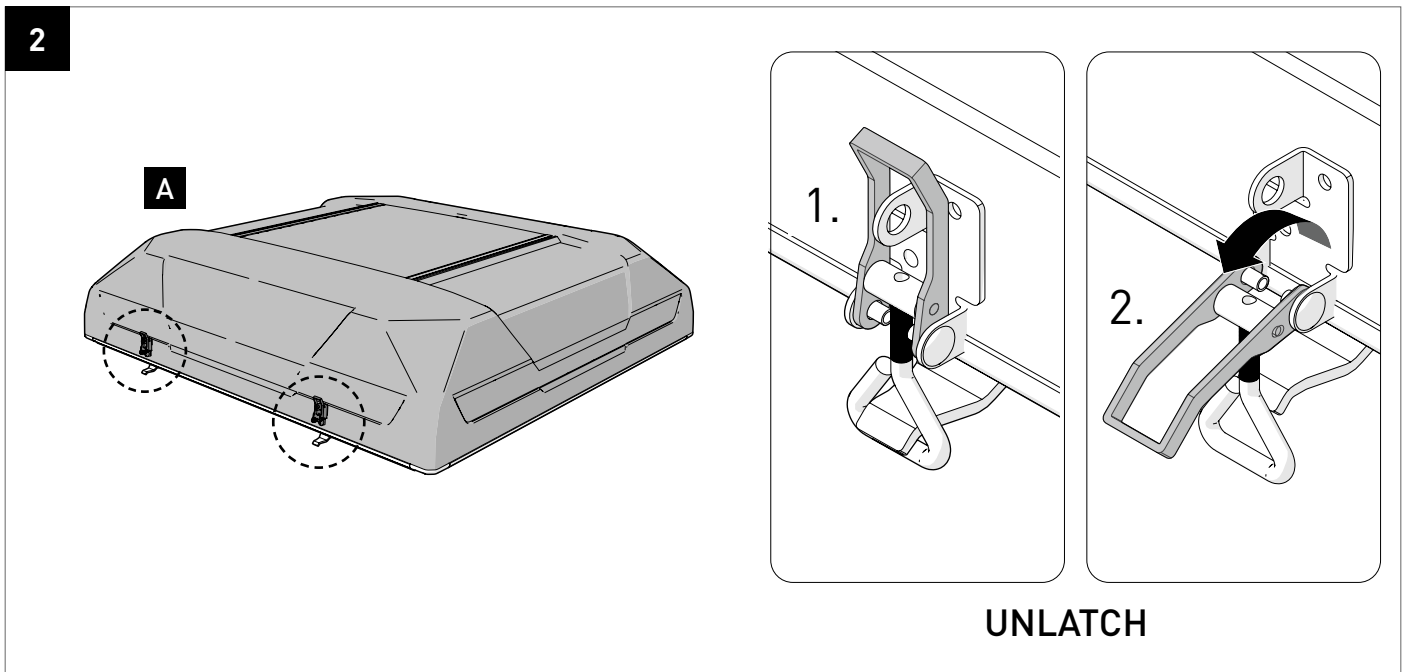
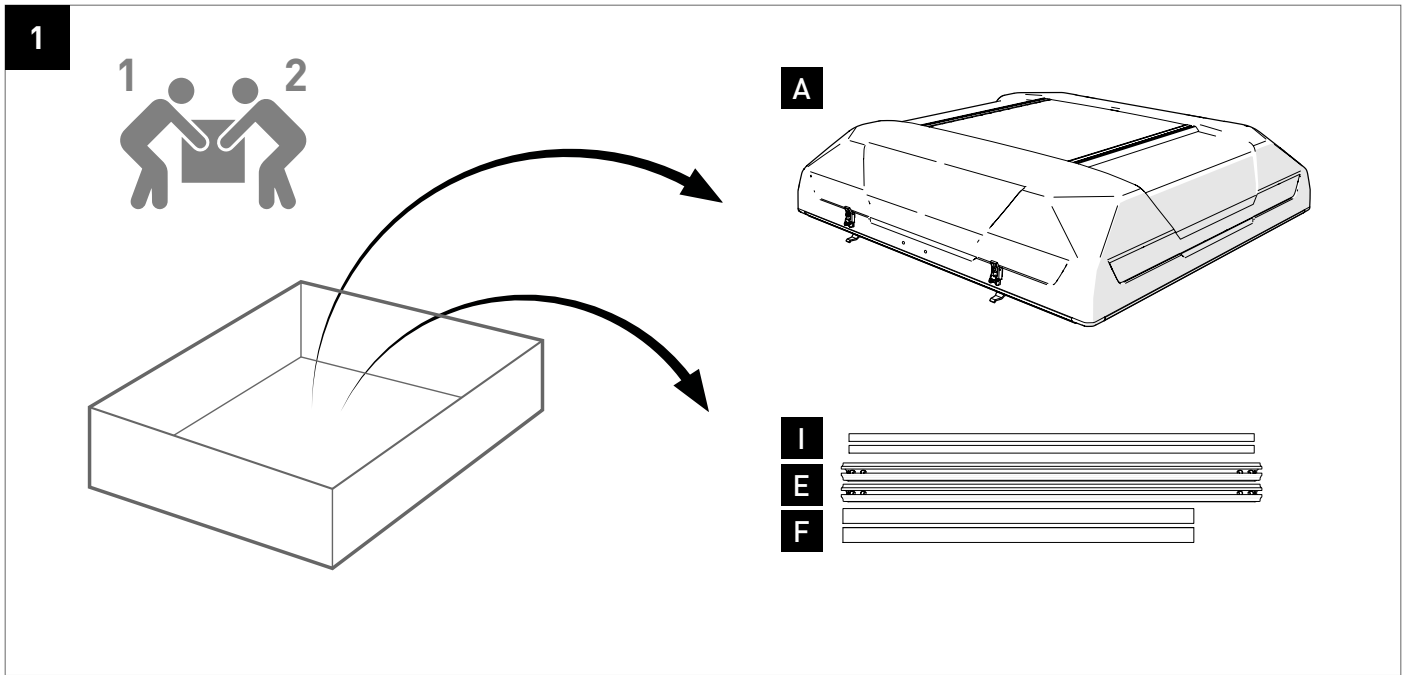
TOOL REQUIRED:
T1 - x2 Large Towels / Table Cloth
T2 - Tape Measure
T3 - Marker
T4 - 1/4" Socket Ratchet
T5 - 10mm Spanner
T6 - 2 x Step Ladders
T7 - USB-A Powerbank (optional for included LED light bar)

IMPORTANT: Underbars must run **perpendicular** to your Rack Set Up
 Select Tent Entrance direction, then orient your underbars **Front-Rear / Left-Right** according to your Rack Set Up as below:

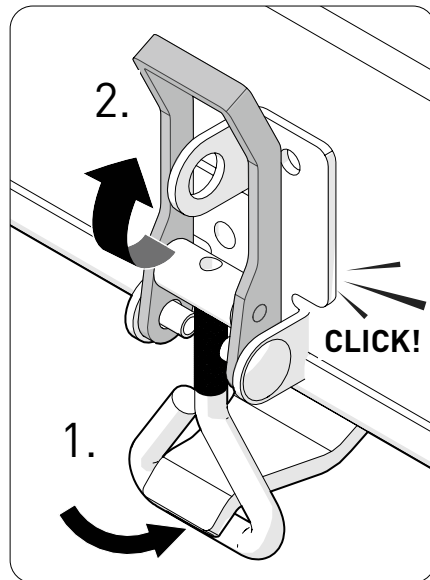
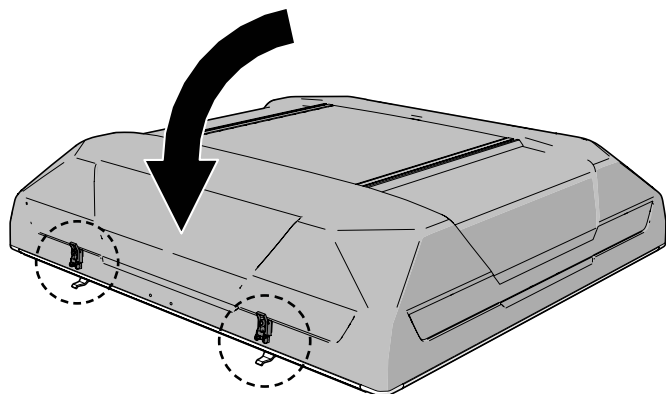


NOTE: The example configuration shown in this instruction is **Side opening** on a **Platform**





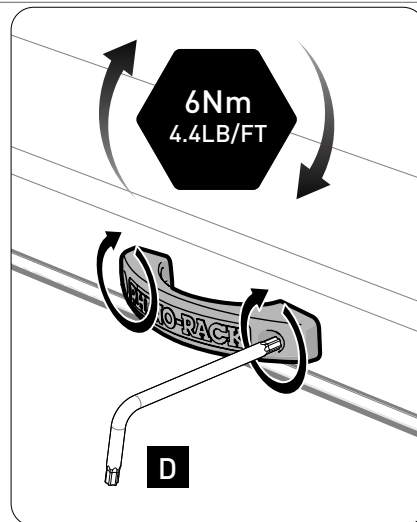
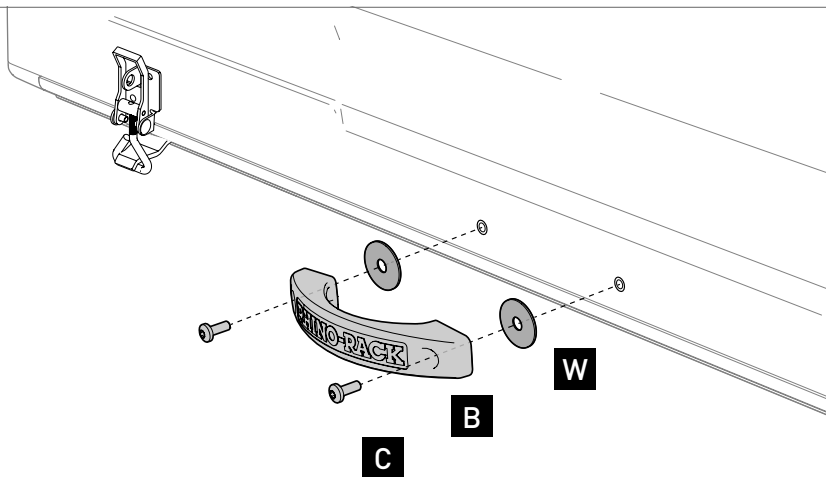
4



RELATCH

INSTALLATION

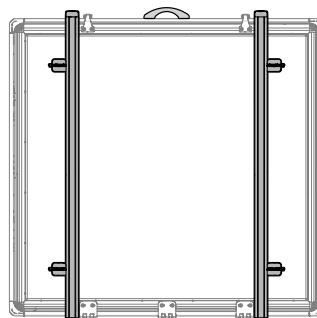
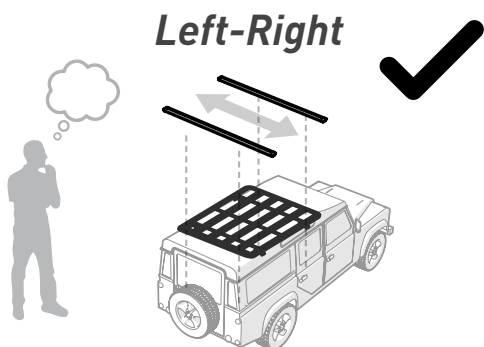
5



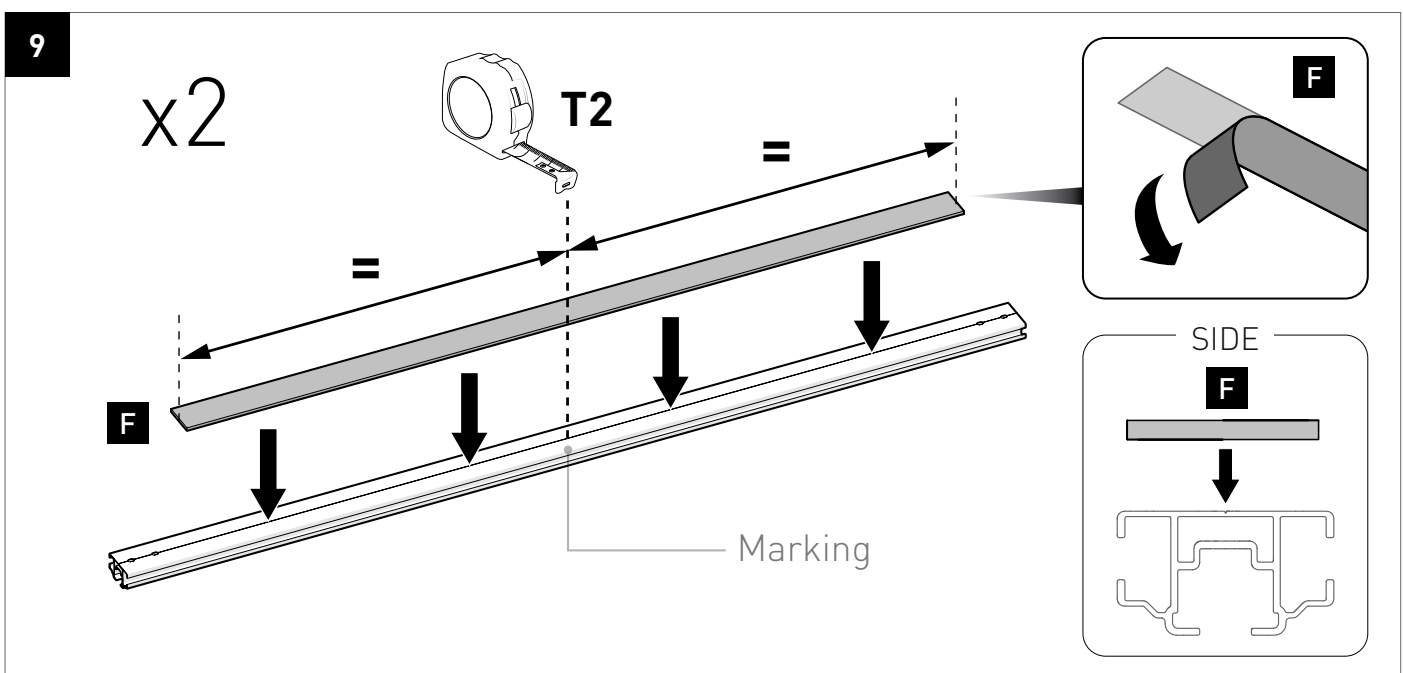
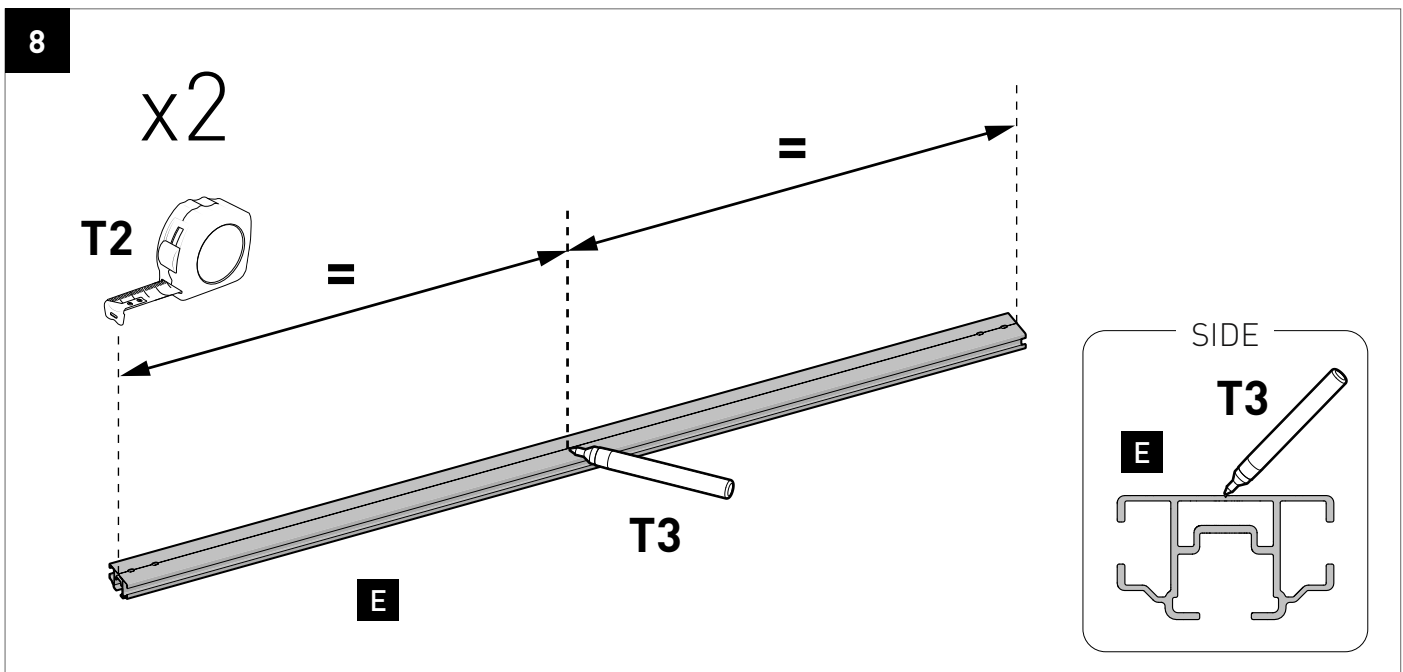
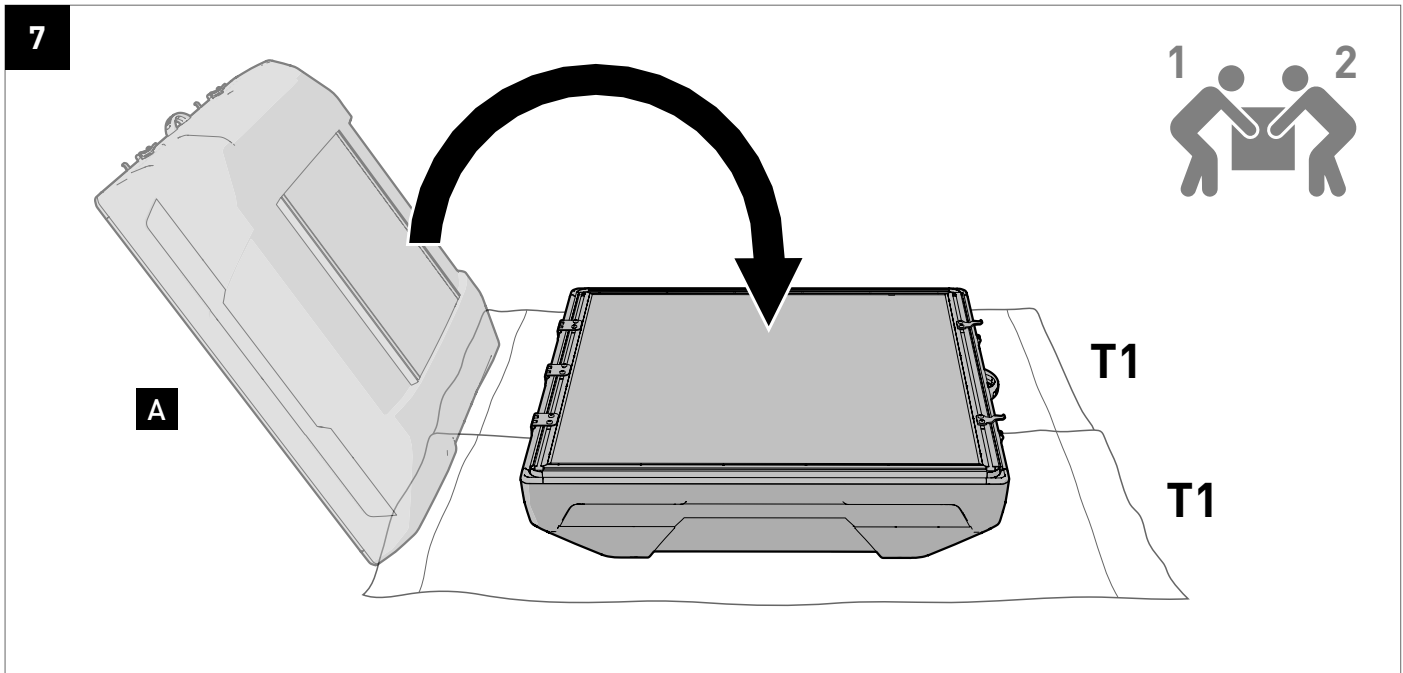
6

PLAN YOUR INSTALLATION

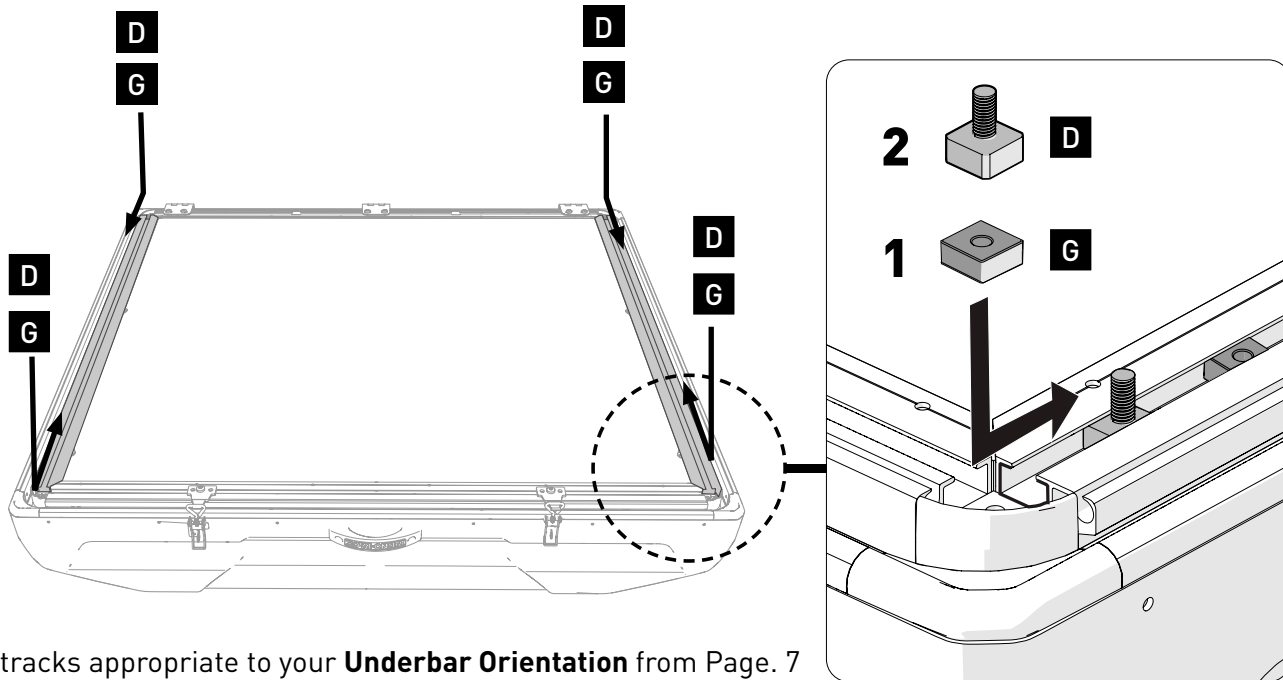
IMPORTANT: Underbars must run perpendicular to your Rack Set Up
Refer to MOUNTING CONFIGURATIONS on Page 7 to determine **Underbar Orientation**



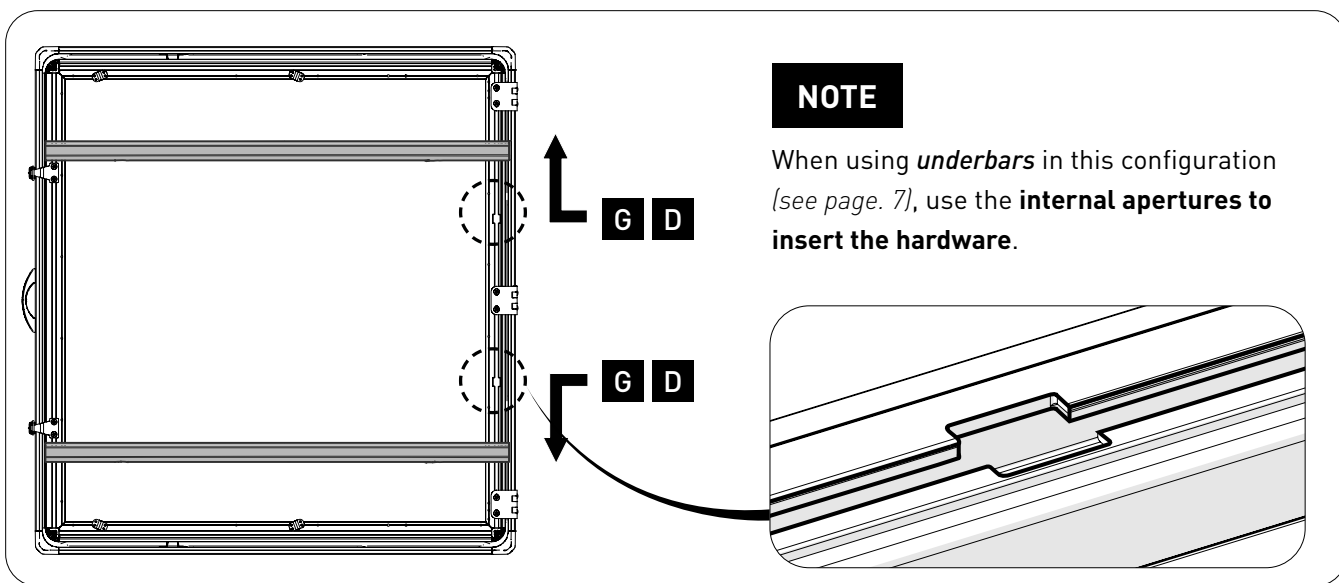
NOTE: The example configuration shown in this instruction is **Side opening** on a **Platform**



10



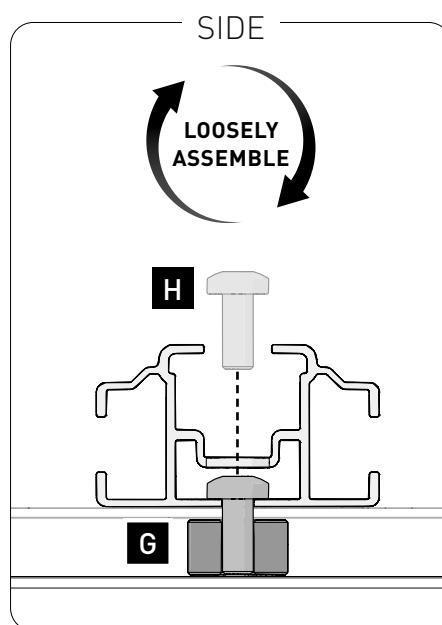
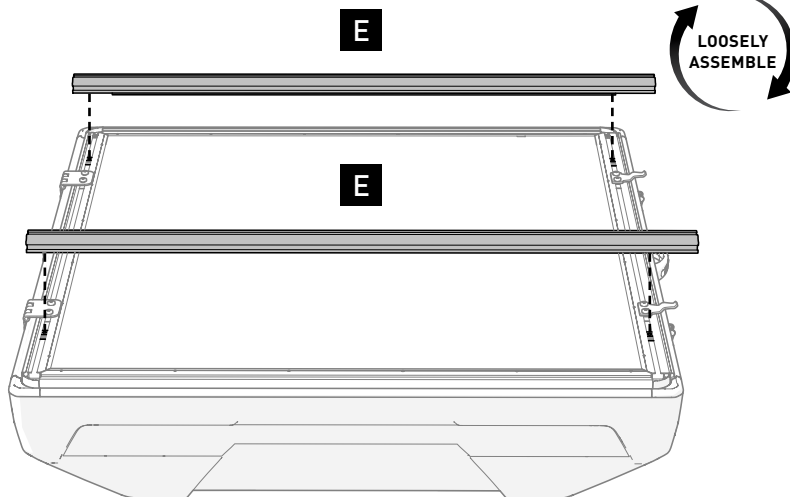
Use tracks appropriate to your **Underbar Orientation** from Page. 7



NOTE

When using *underbars* in this configuration (see page. 7), use the **internal apertures** to insert the hardware.

11

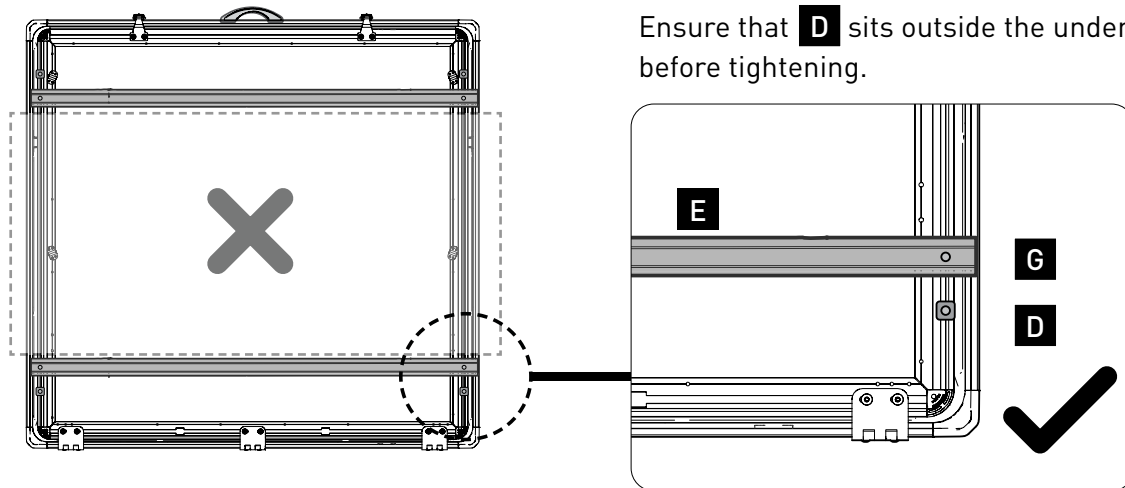


Step continues to the **next page**.

12

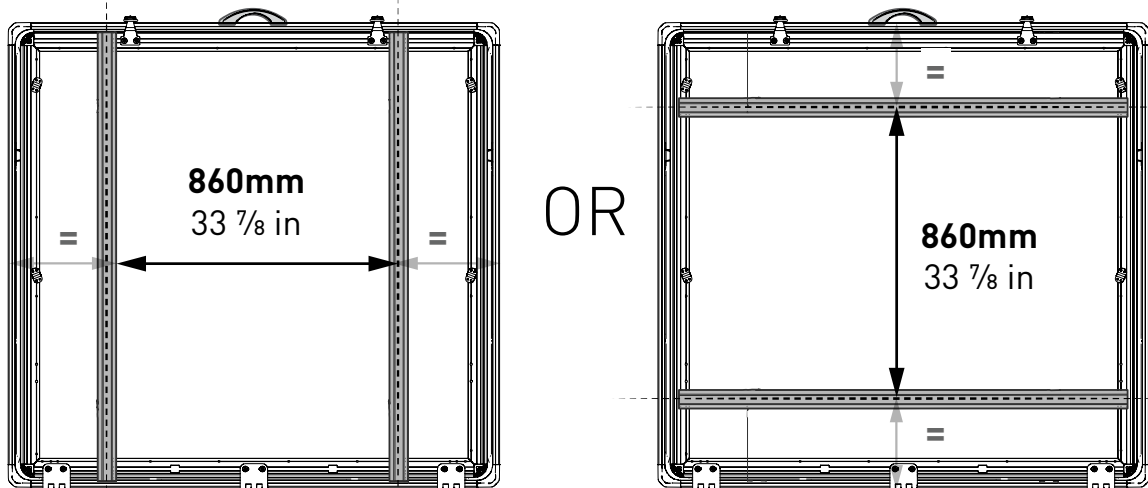
NOTE

Ensure that **D** sits outside the underbars before tightening.

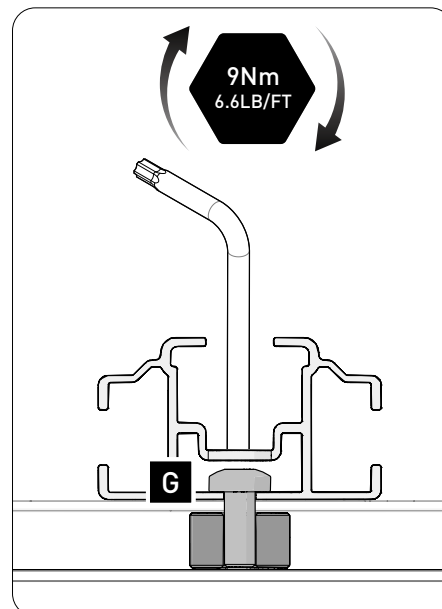
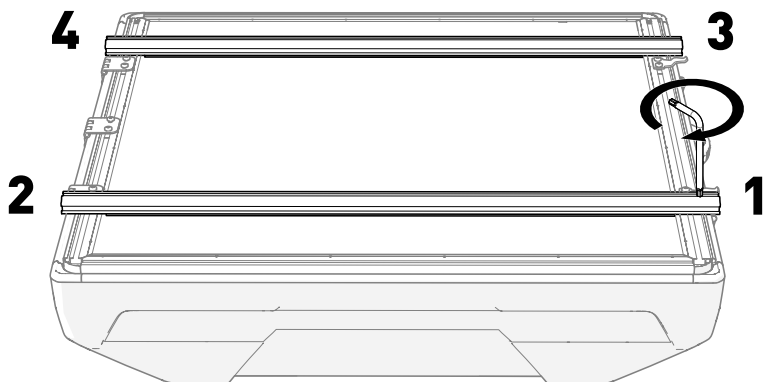


13

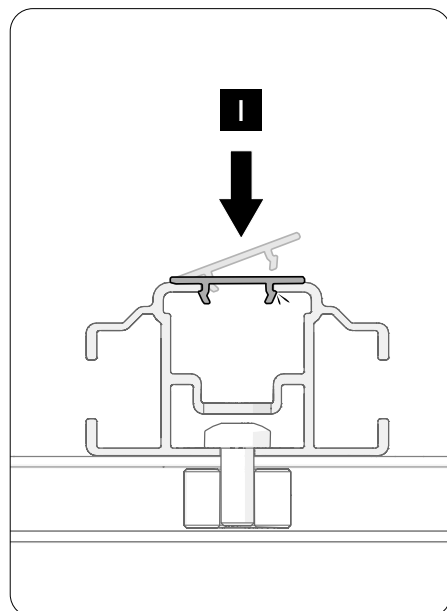
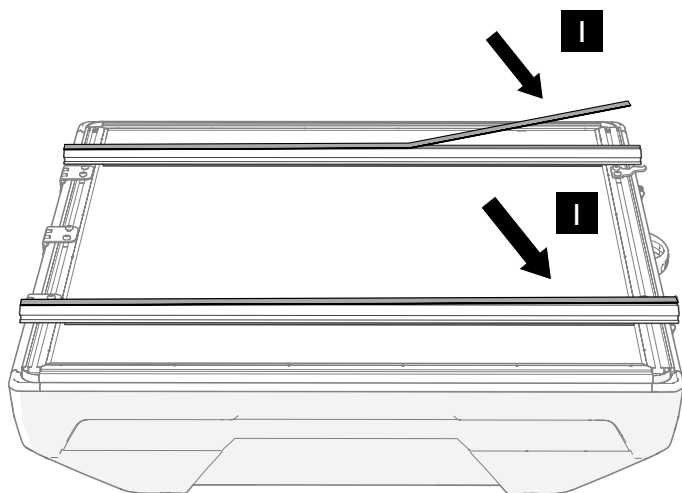
Handle indicates entrance



14

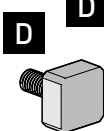


15



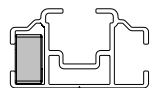
16

1.

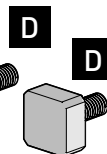


E

D x2

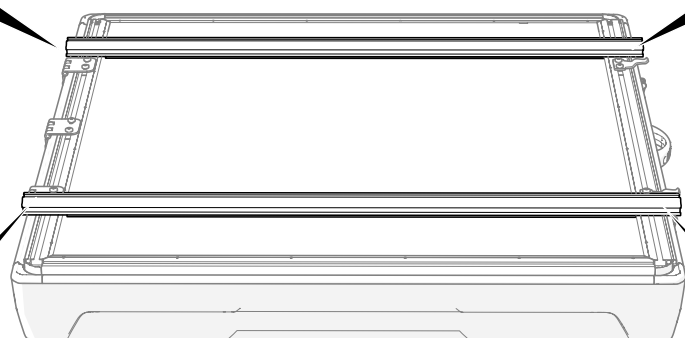
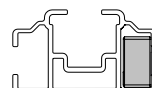


2.

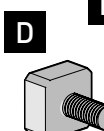


E

D x2

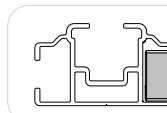


3.

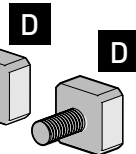


E

D x2

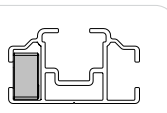


4.

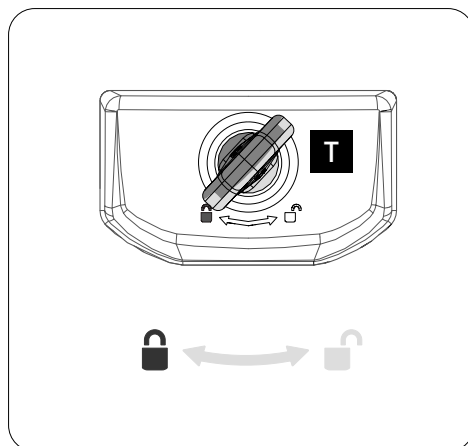
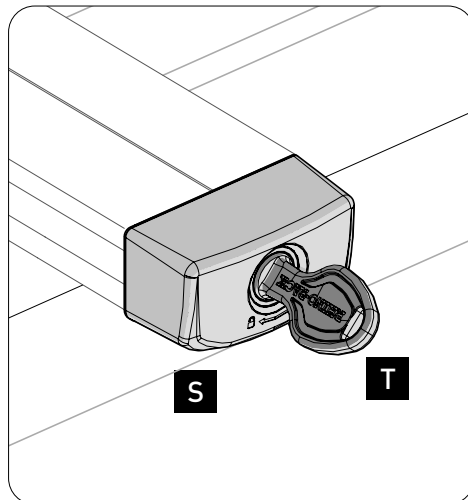
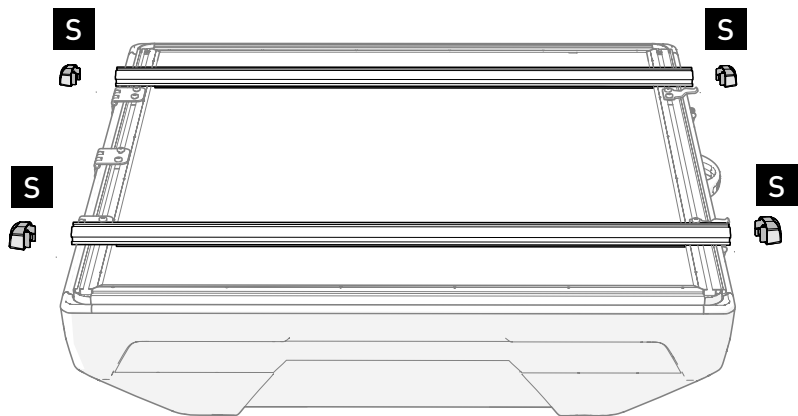


E

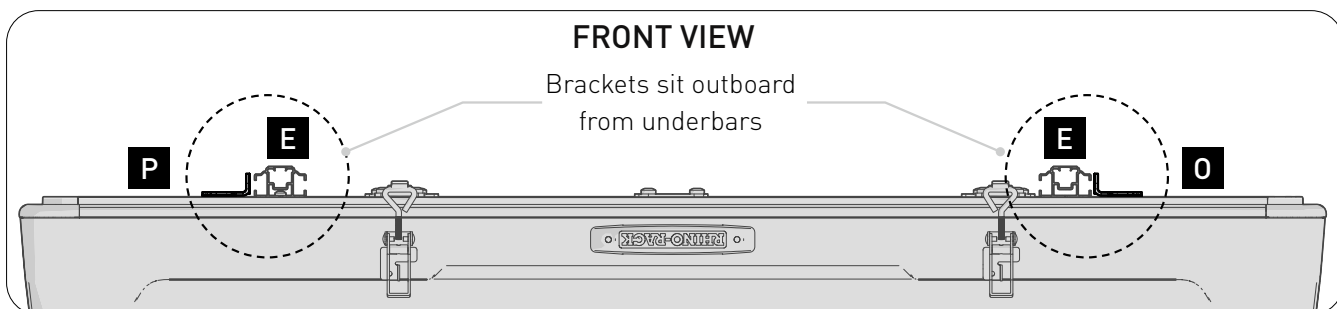
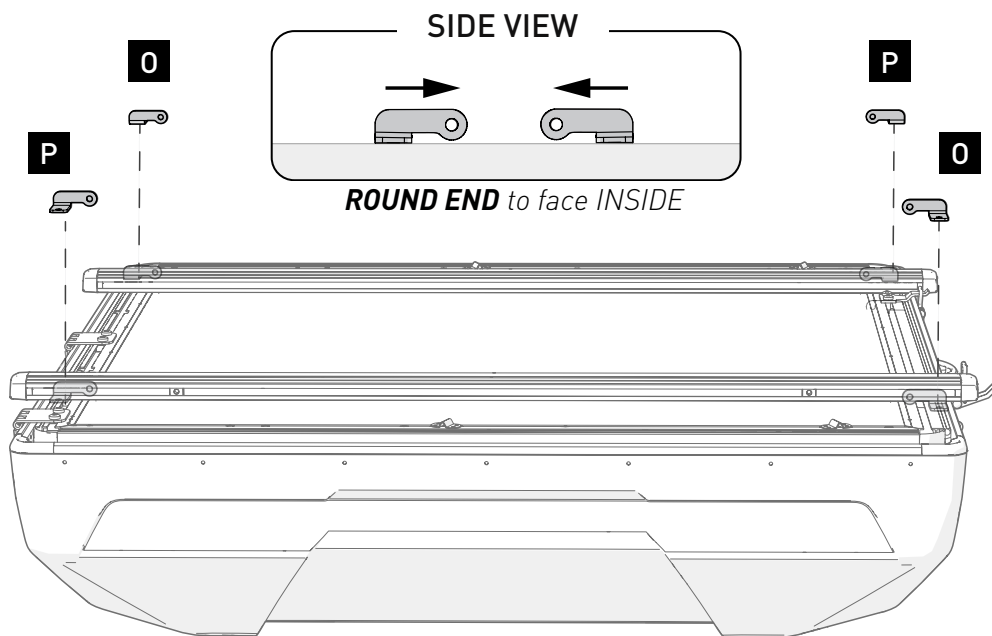
D x2

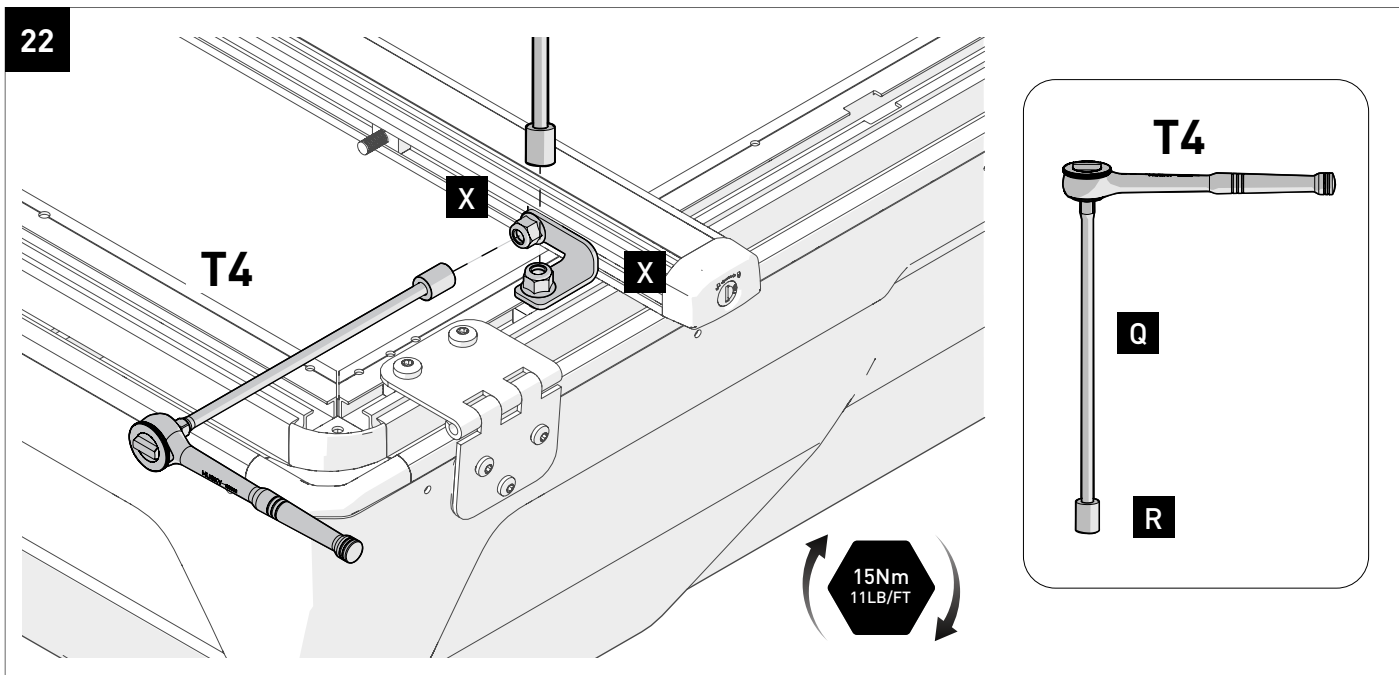
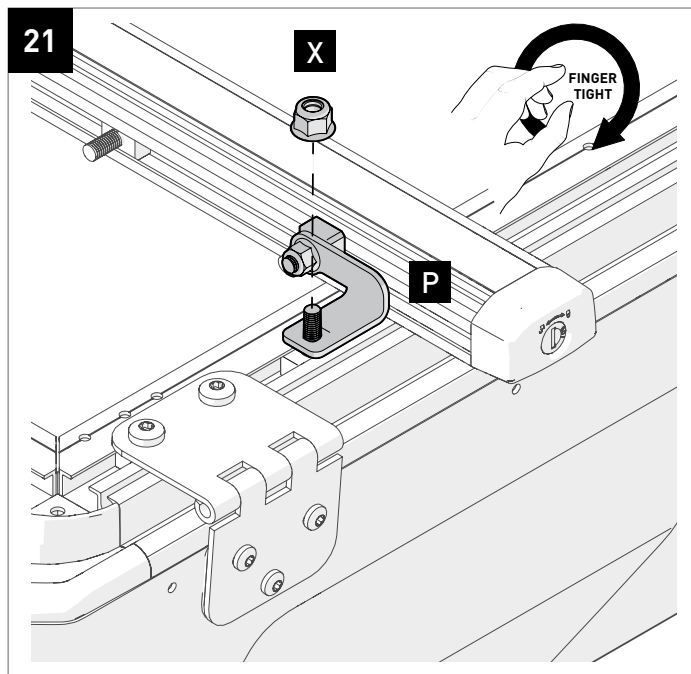
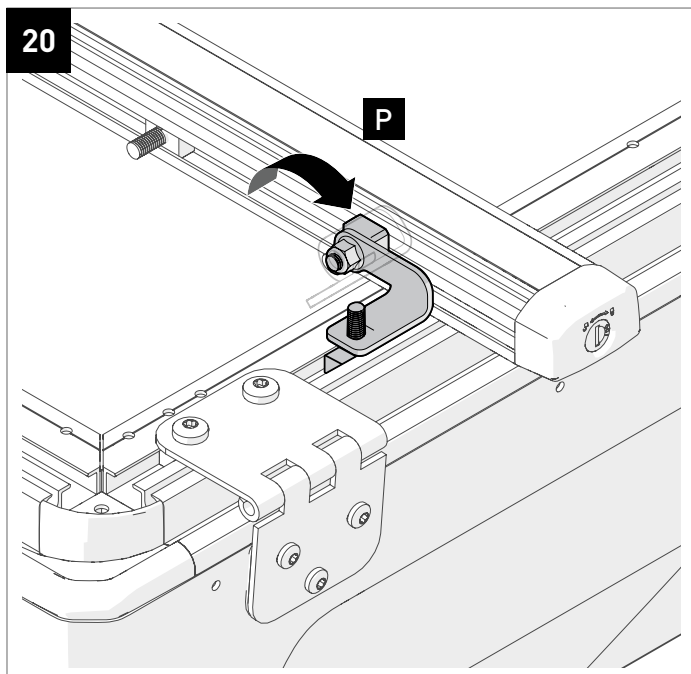
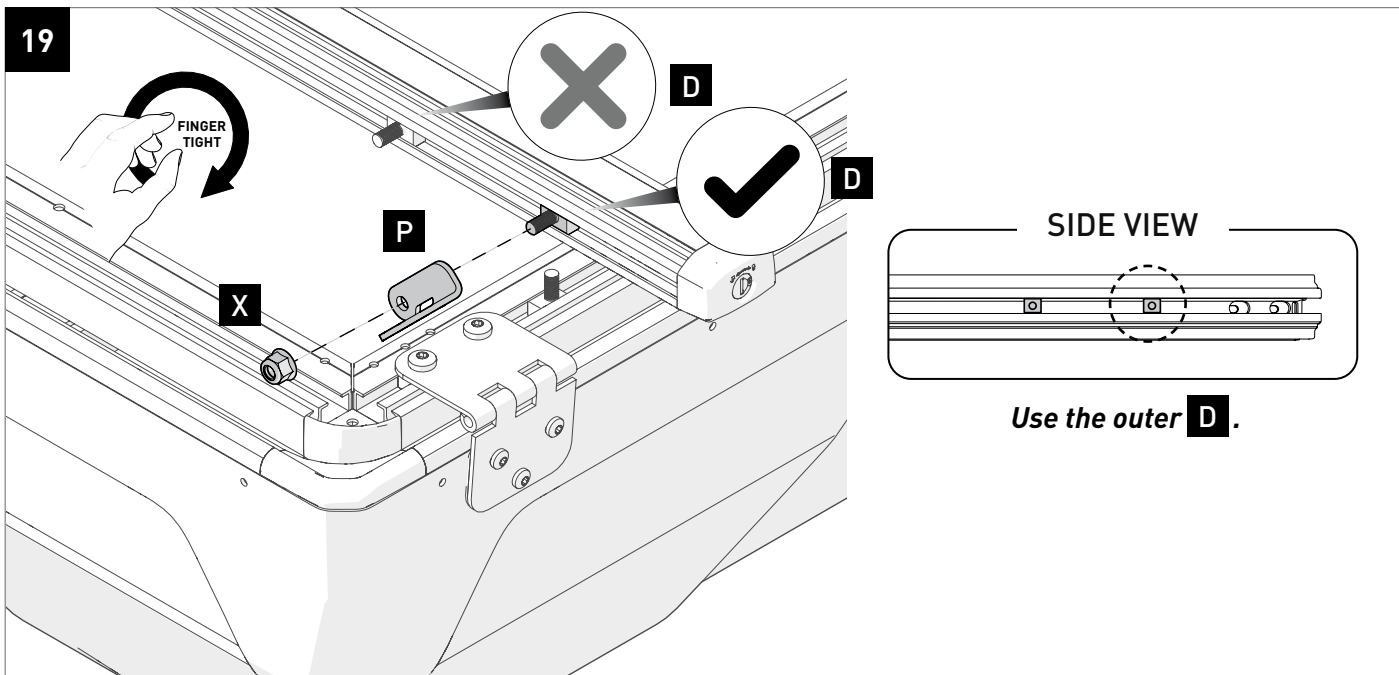


17

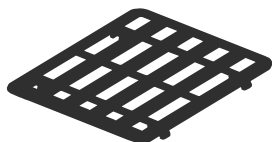


18



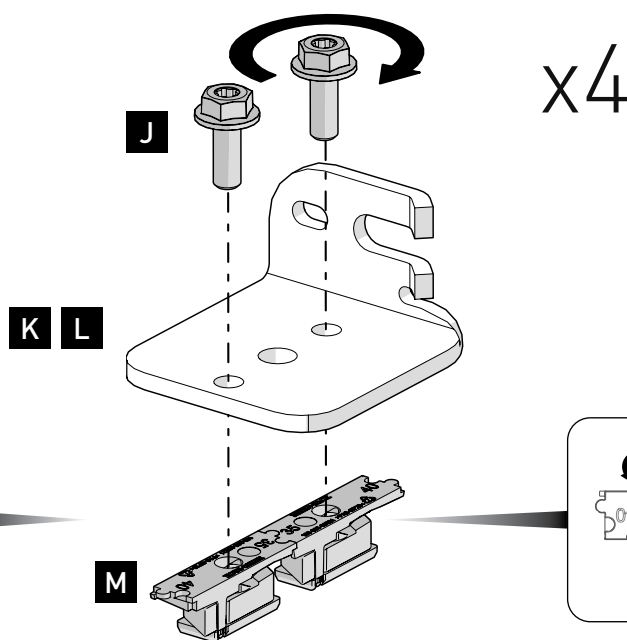
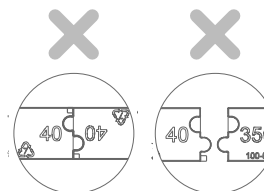
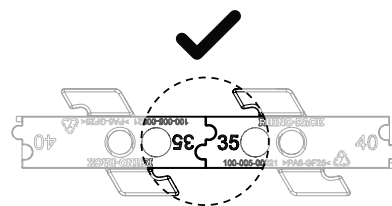
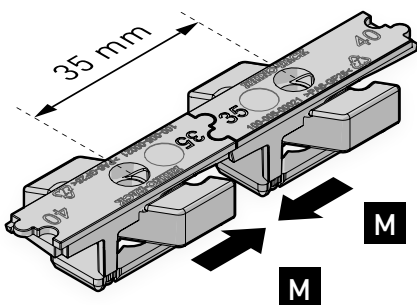


23 FOR PIONEERS, SPORTZ AND RECONN-DECK BARS:



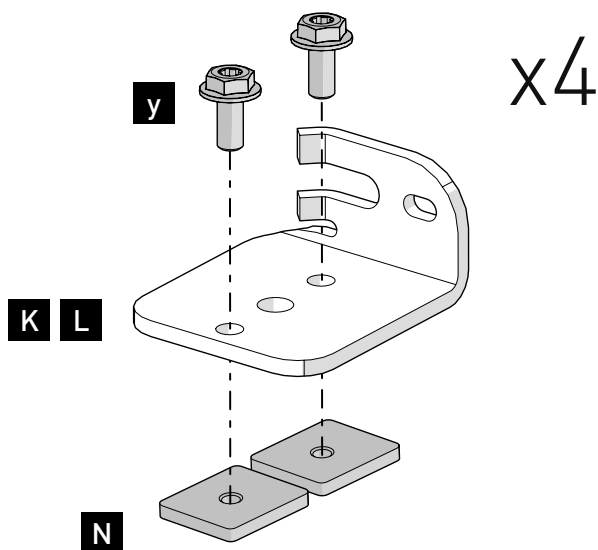
35-35
35MM SPACING

X4



OR

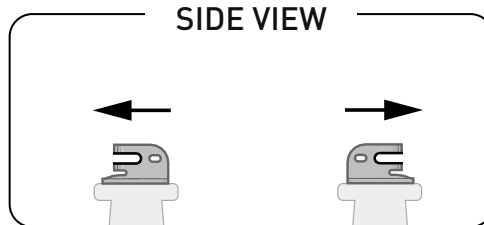
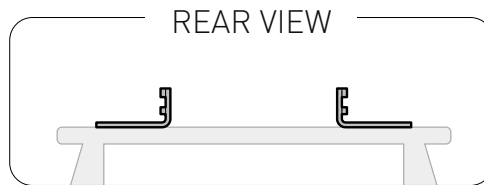
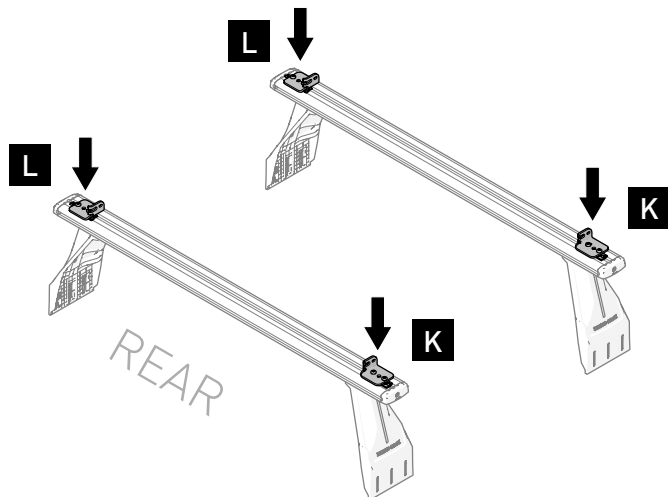
FOR VORTEX BARS:



24



FOR CROSS BARS (For Platforms, Skip to **Step 19**)

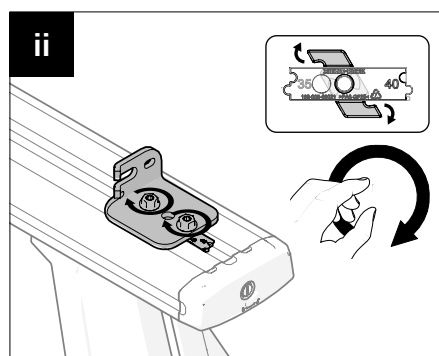
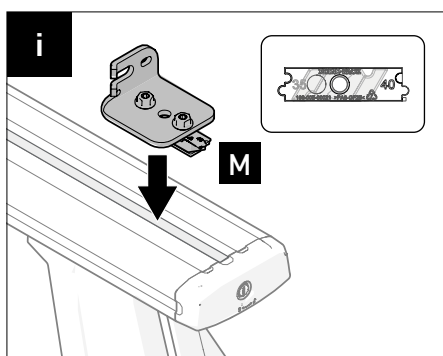


U-shape to face **OUTSIDE**

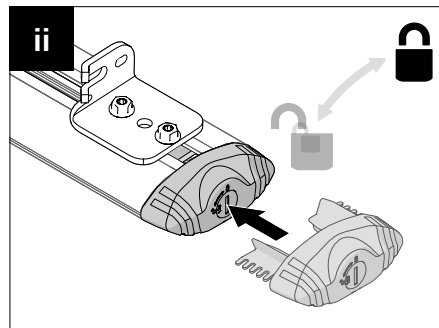
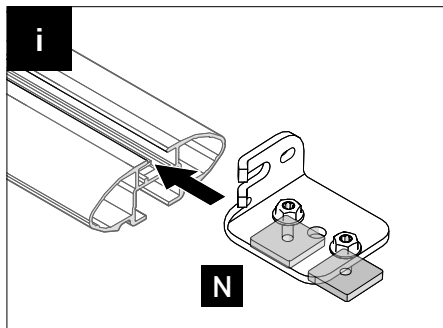
FOR RECONN-DECK / SPORTZ BARS:



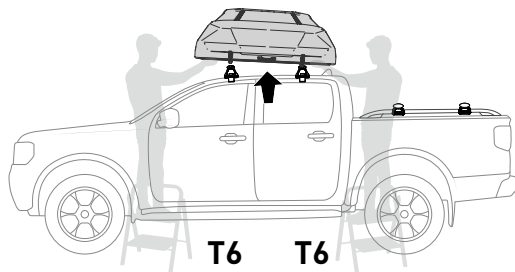
NOTE: Example depicts RECONN-DECK Bars. Also applies to Sportz Bars.



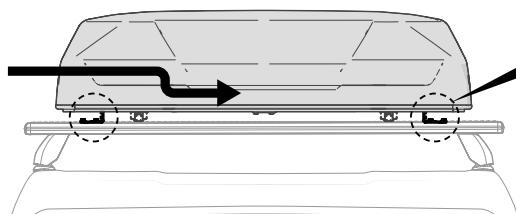
FOR VORTEX BARS:



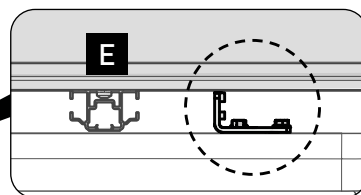
25



FRONT VIEW:



Brackets sit outboard from underbars

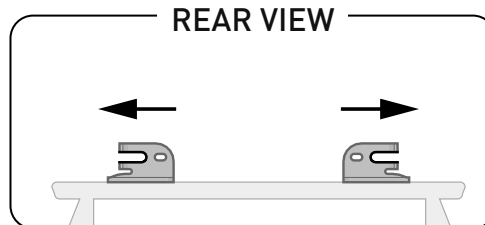
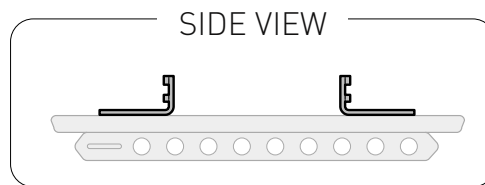
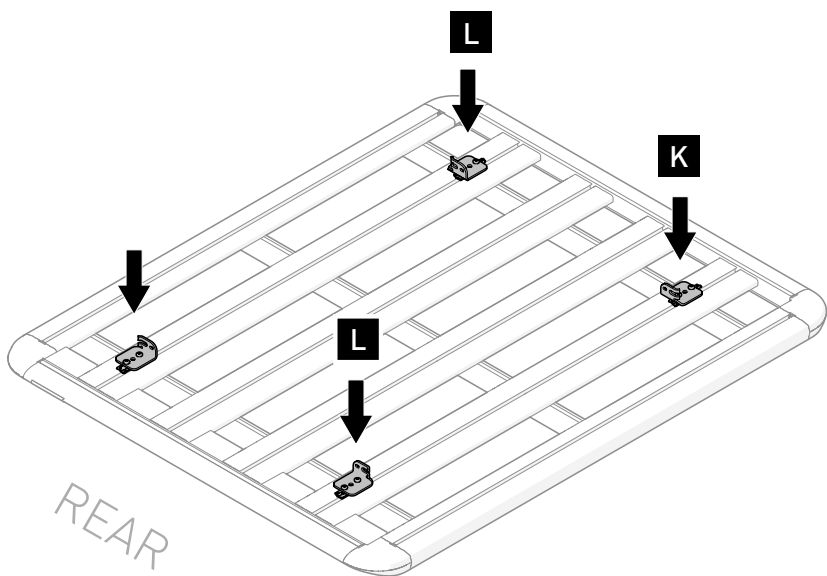


Proceed to Step **28**

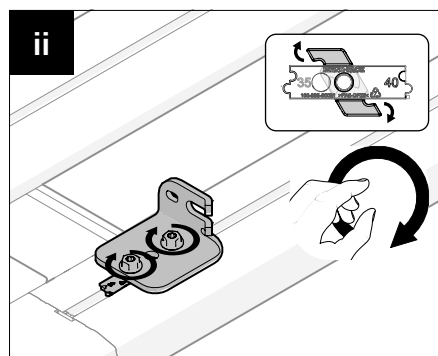
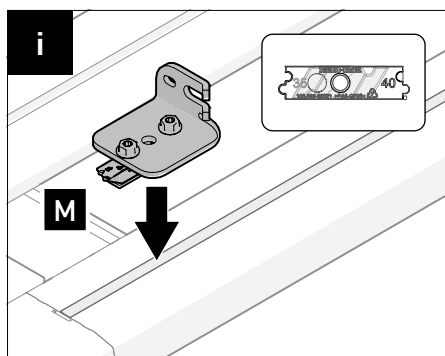
26



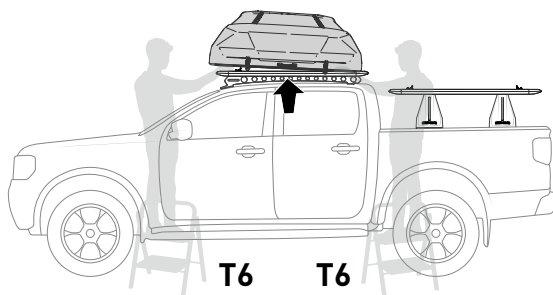
FOR PLATFORMS (For Cross Bars, Skip to Step 29)



U-shape to face **OUTSIDE**

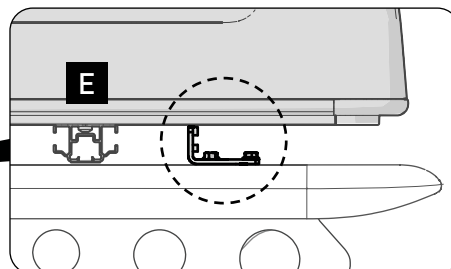


27



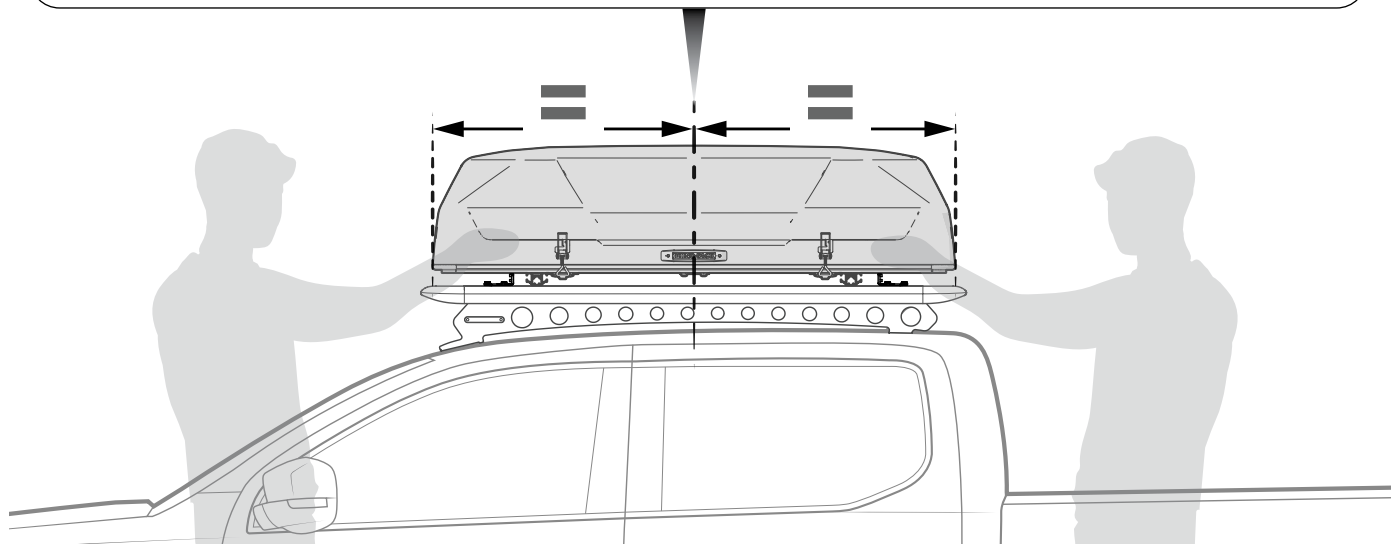
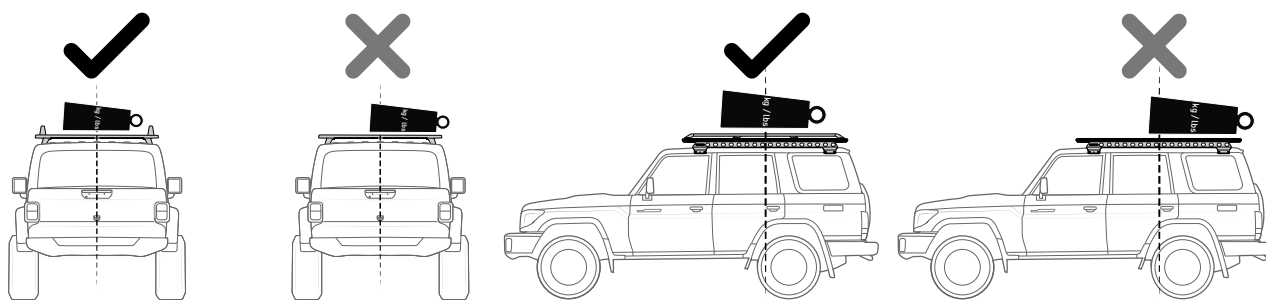
Brackets sit outboard from underbars

SIDE VIEW:



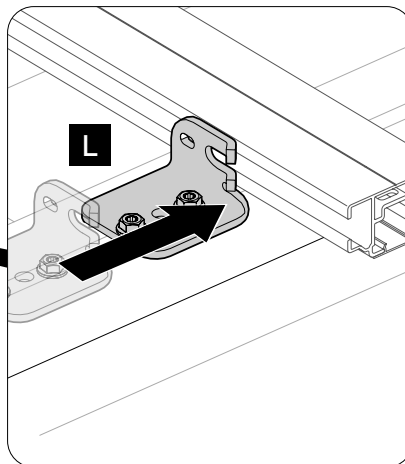
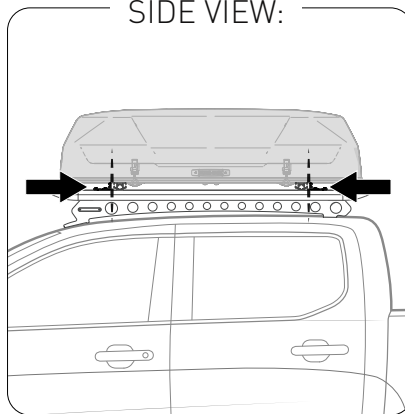
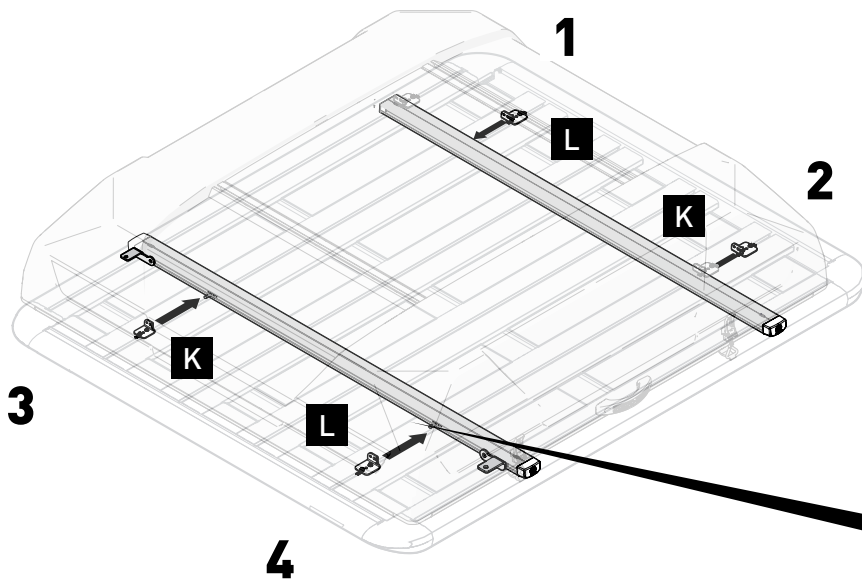
28

Distribute the tent to the centre of the roof rack system. Avoid point loads concentrated at the front or rear.



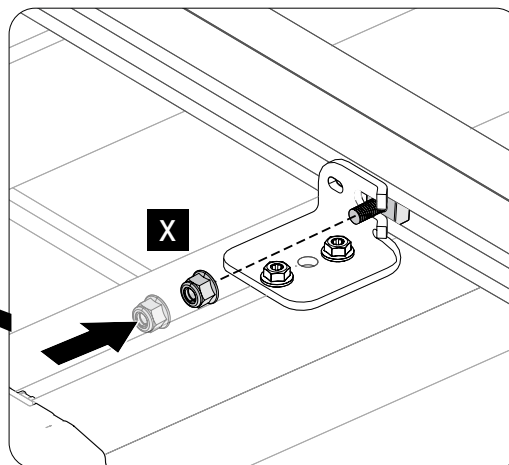
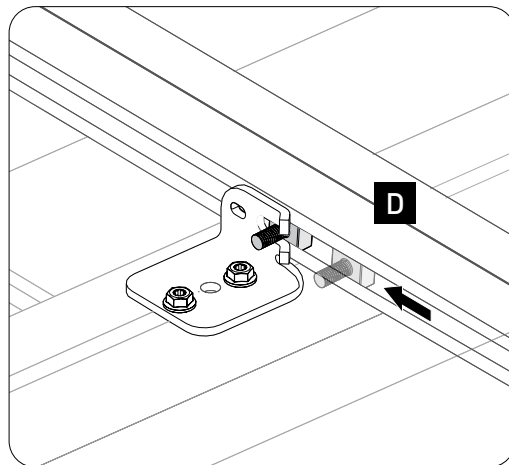
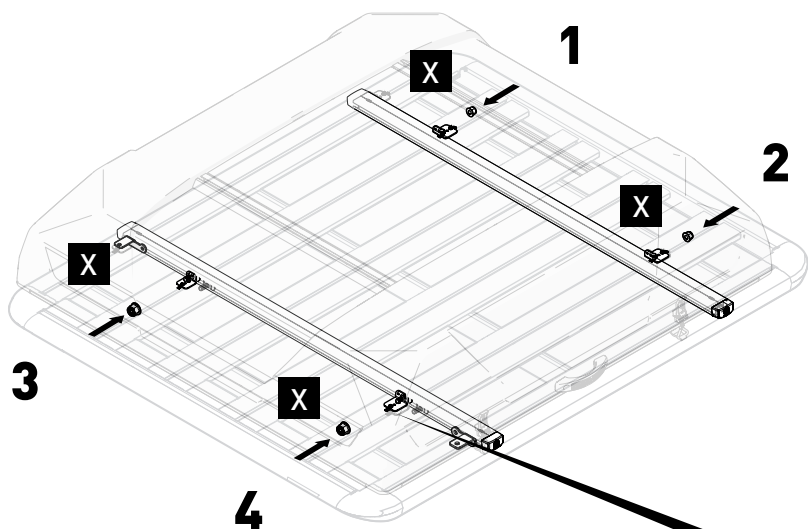
29

SIDE VIEW:



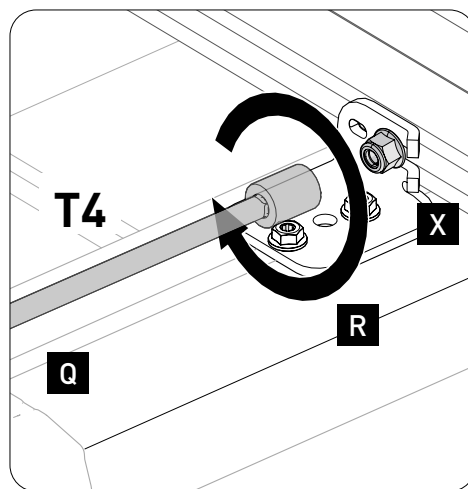
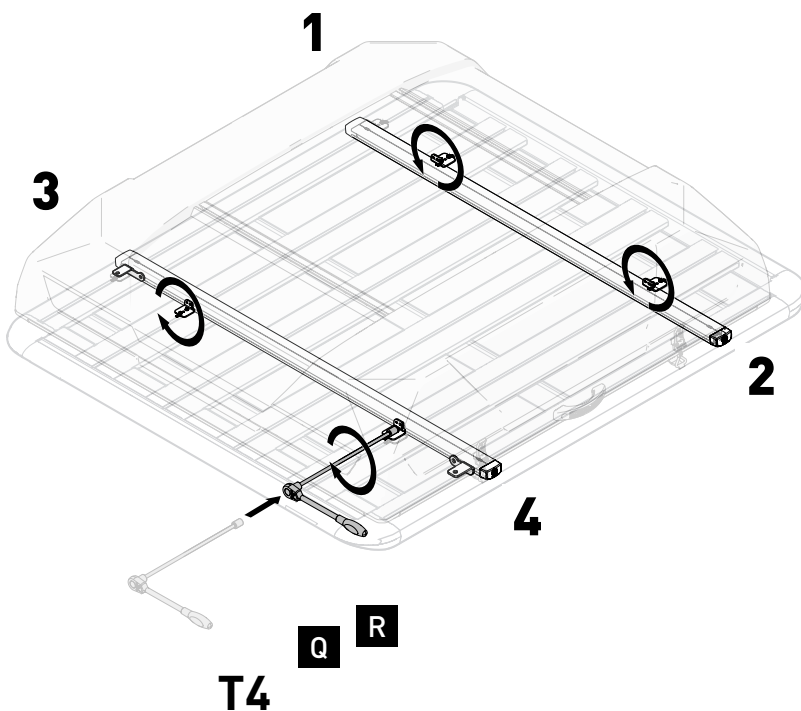
NOTE: Example depicts Pioneer Platforms. Also applies to Cross Bars

30



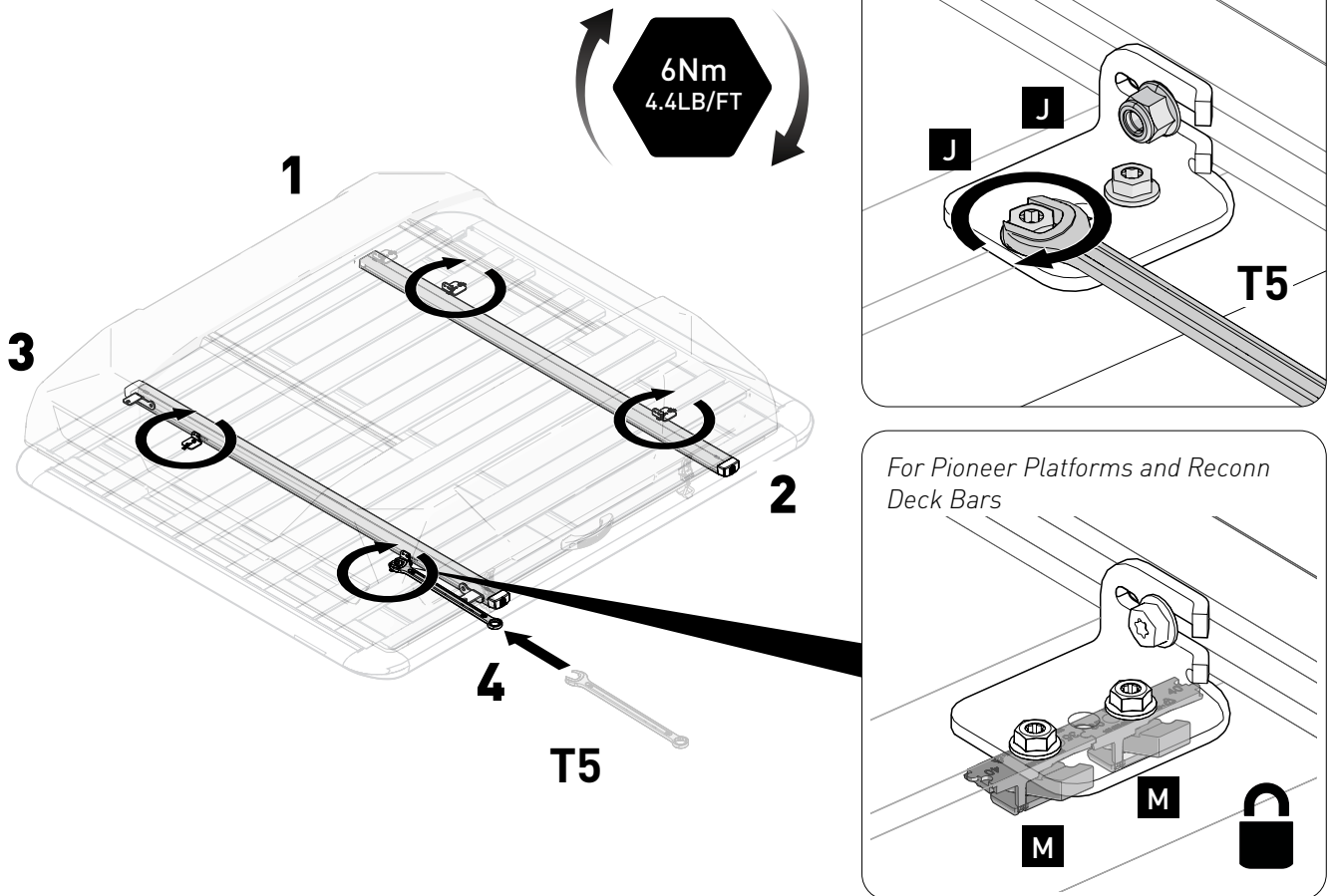
NOTE: Example depicts Pioneer Platforms. Also applies to Cross Bars

31



NOTE: Example depicts Pioneer Platforms. Also applies to Cross Bars

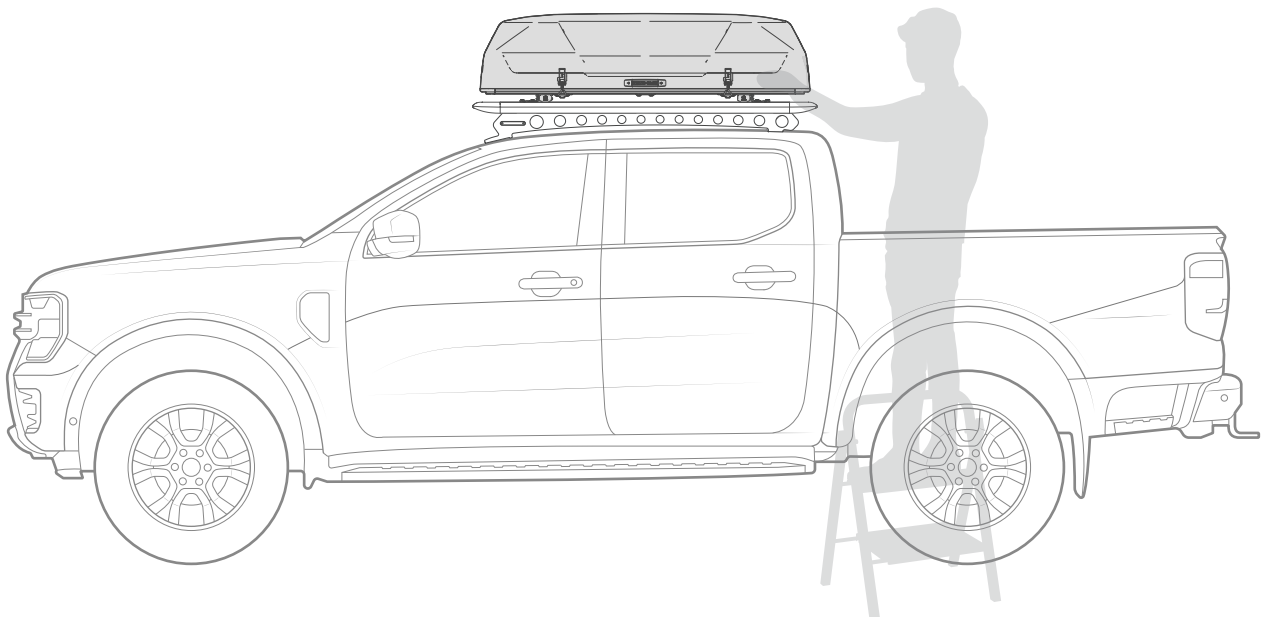
32



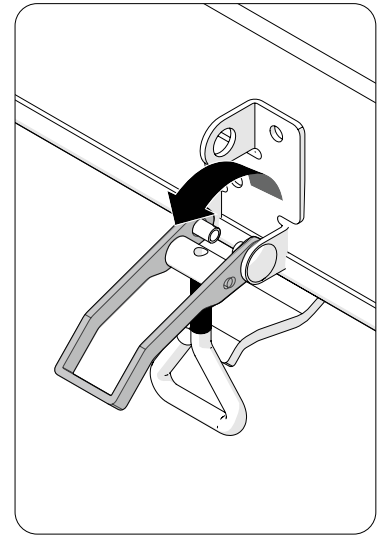
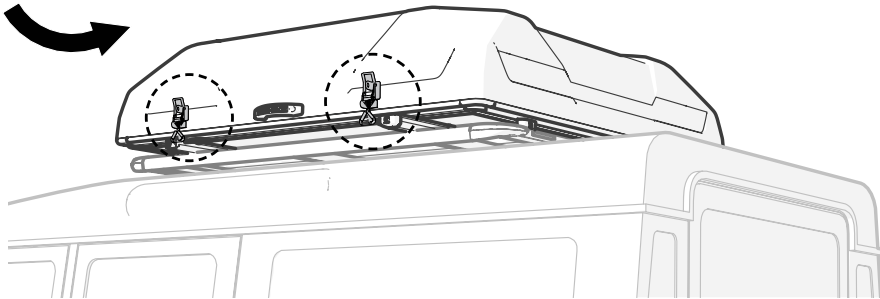
NOTE: Example depicts Pioneer Platforms. Also applies to Cross Bars

33

CHECK FITMENT IS SECURE

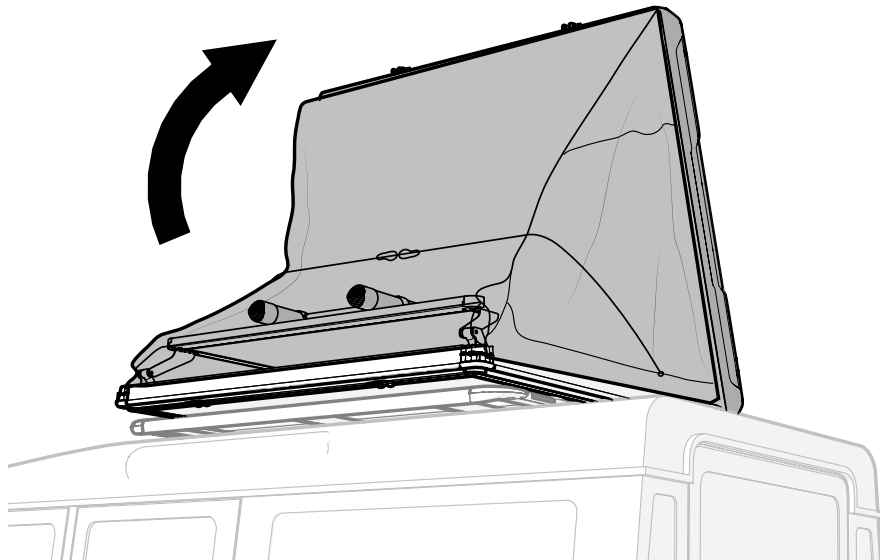


34



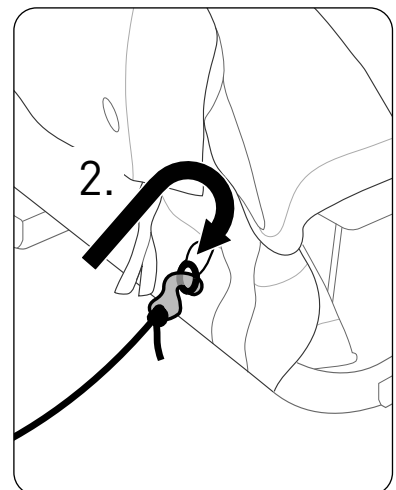
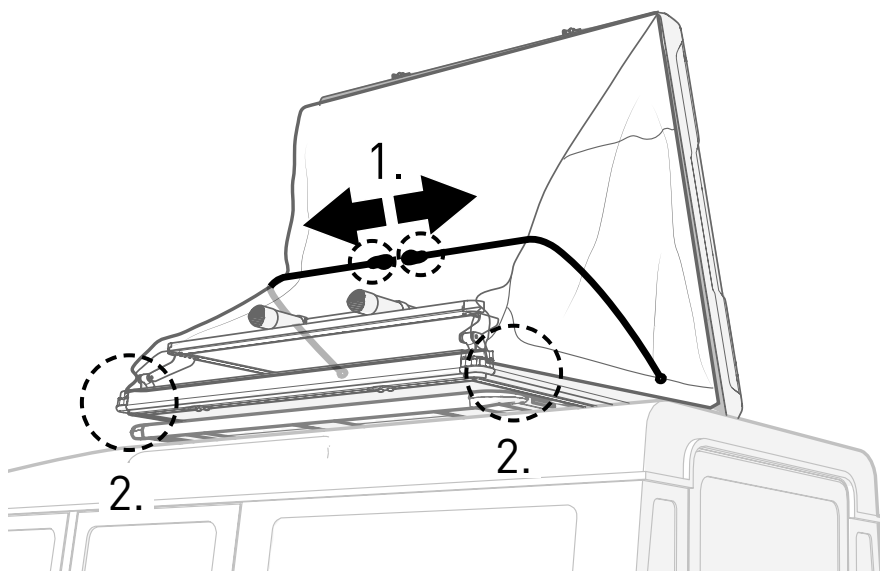
UNLATCH

35



Gas struts will automatically open the tent fully.

36

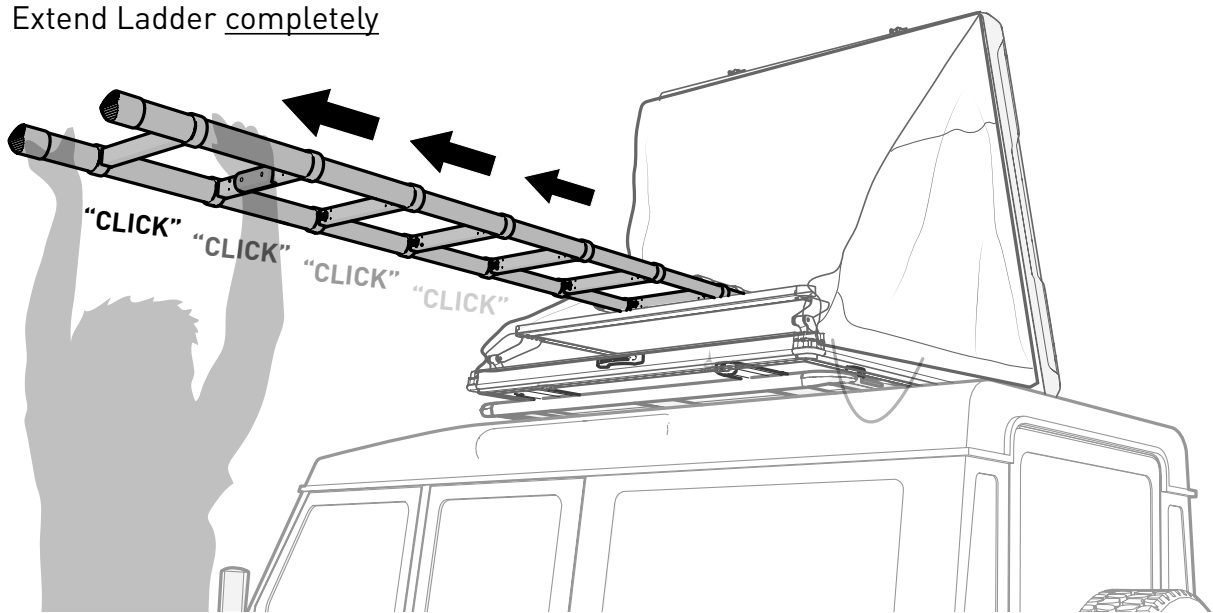


Hook bungee cord into each side loop

37

Extend Ladder completely

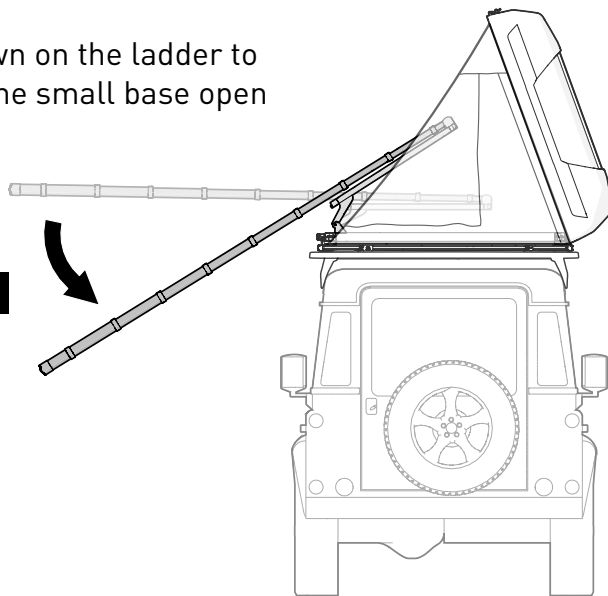
B



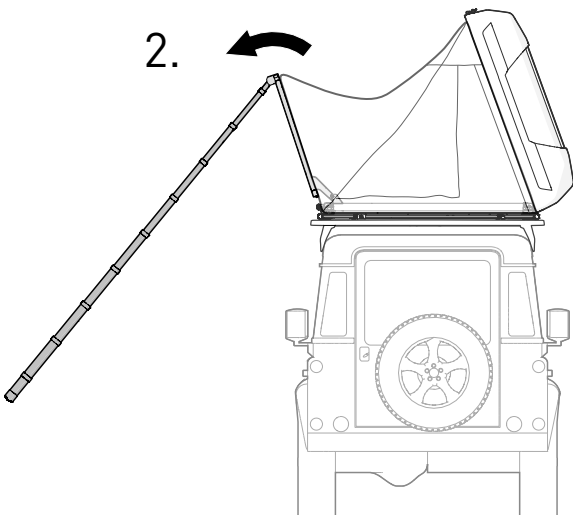
38

1. Pull down on the ladder to "lever" the small base open

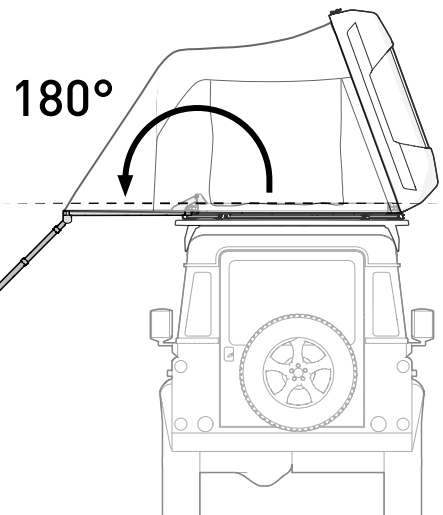
B

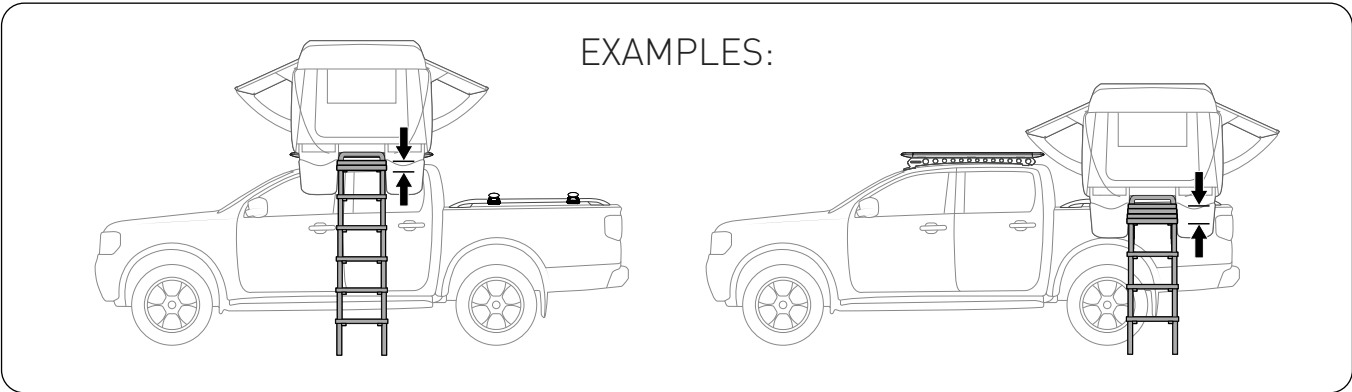
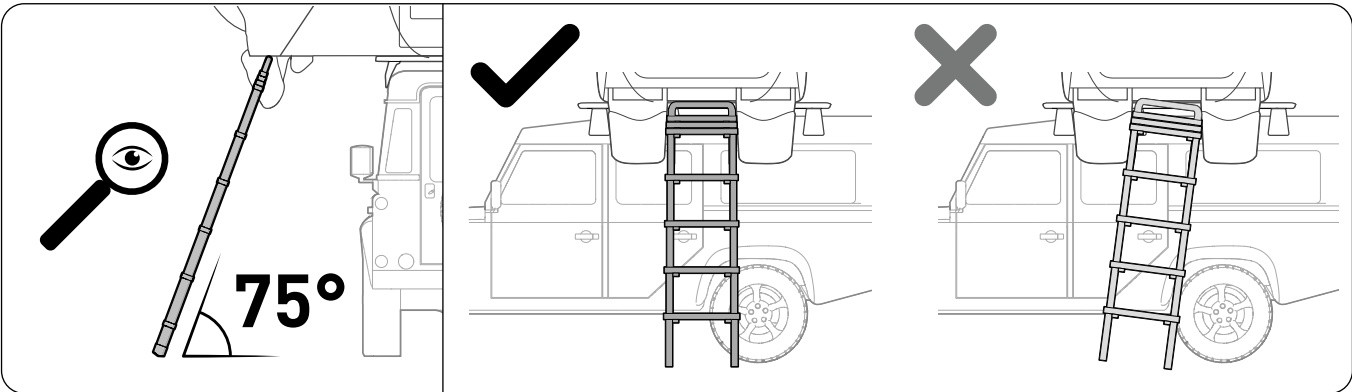
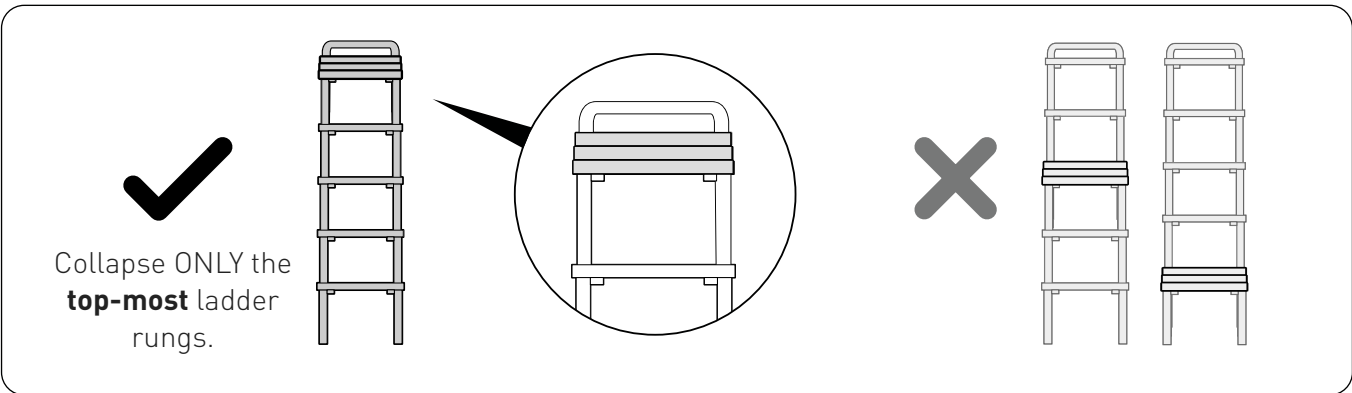
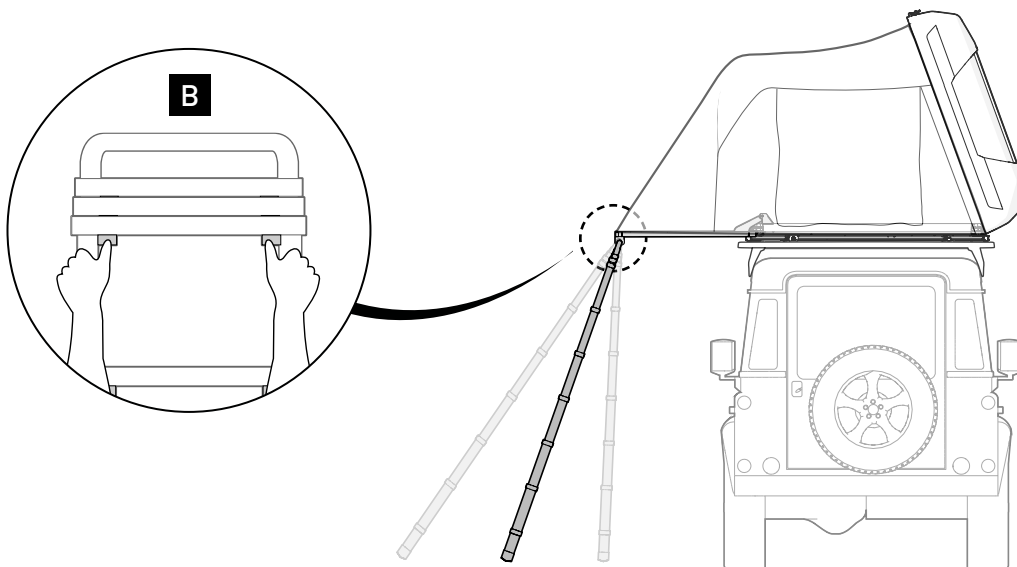


2.



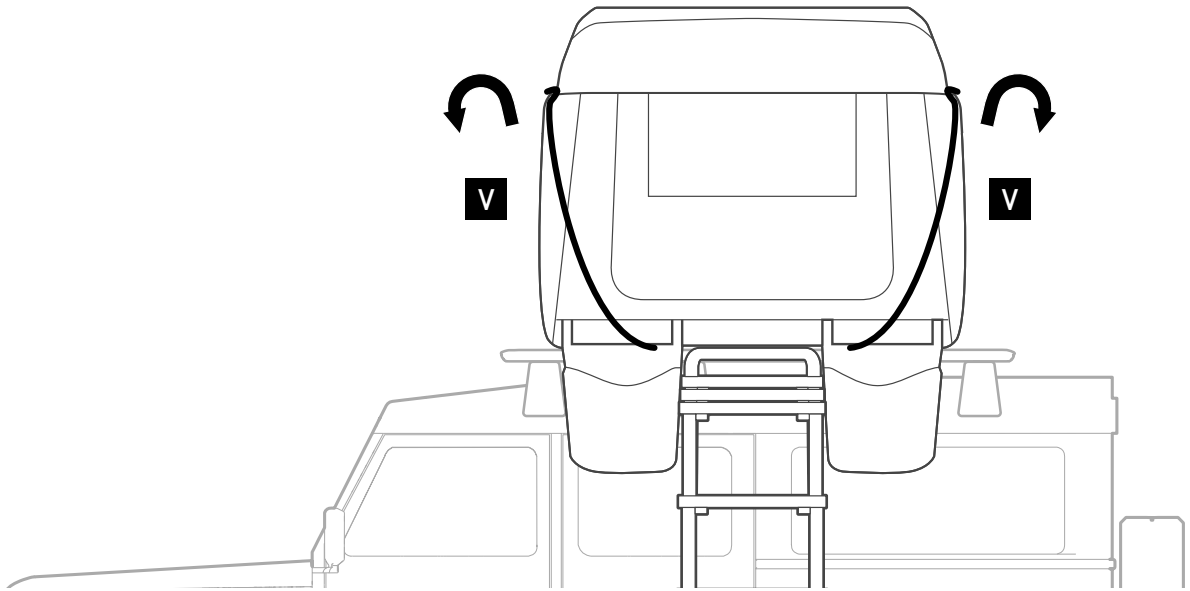
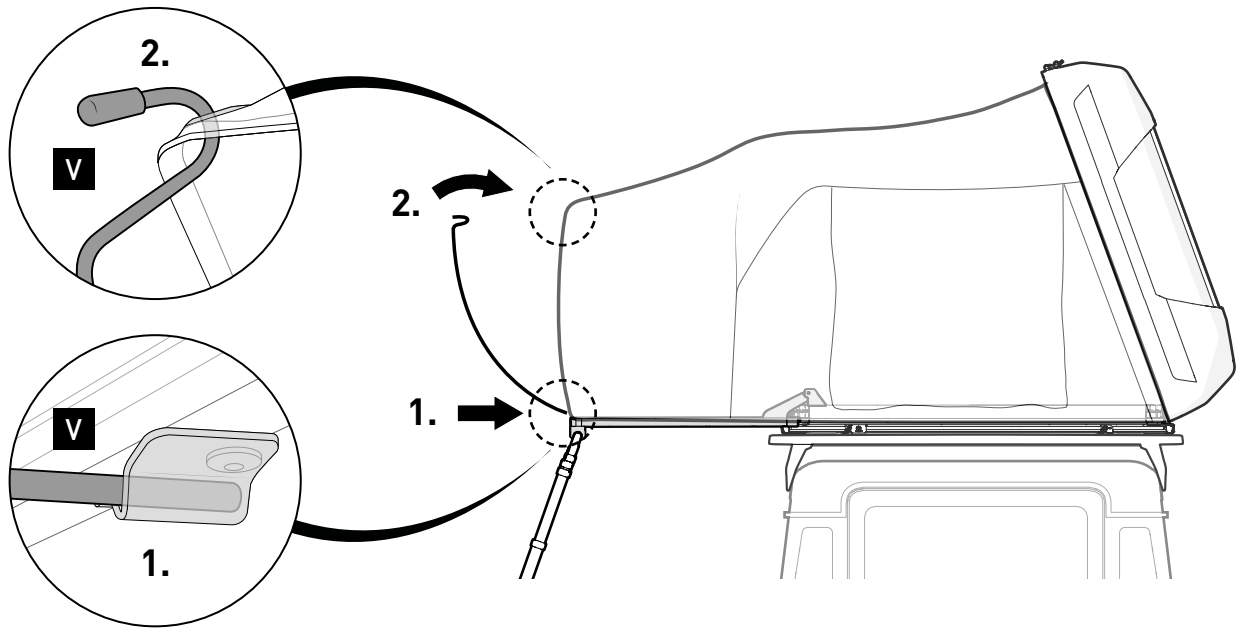
3.





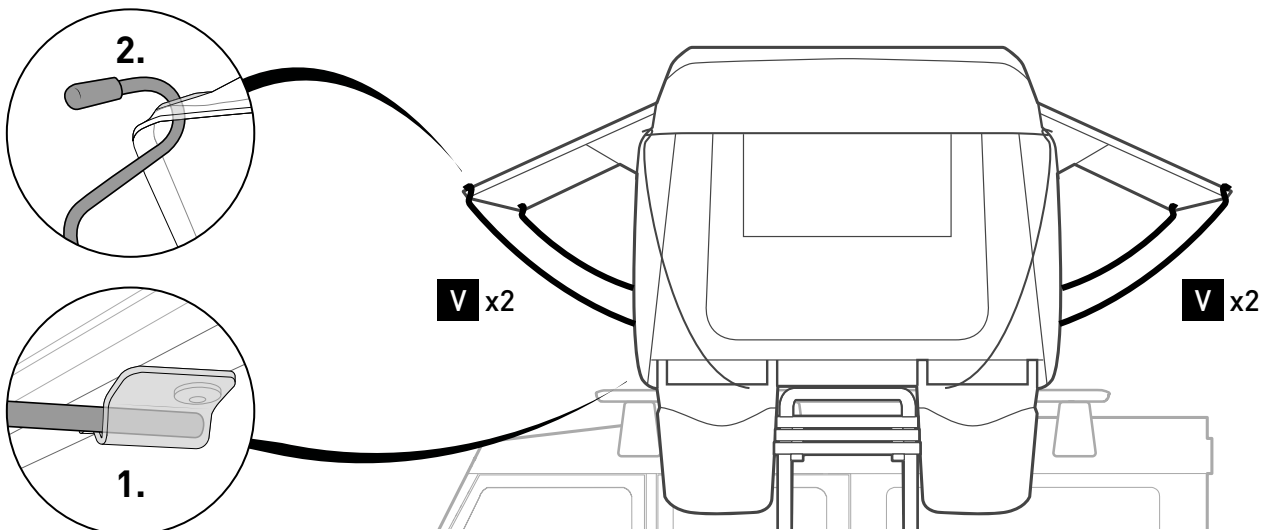
When adjusting the height of the ladder, make sure that it is securely fastened with a “click”
CHECK LADDER RUNGS ARE LOCKED IN PLACE BEFORE ATTEMPTING TO CLIMB LADDER

40

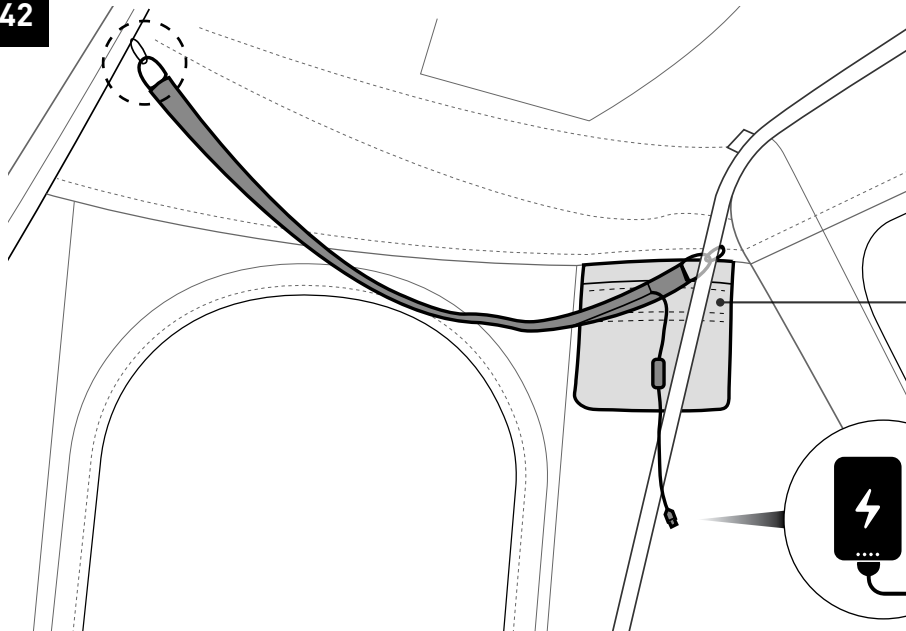


41

Repeat process for side windows (x2 tension poles per side)



42



Tent comes equipped with an internal light bar.

Light bar attaches onto corner hooks.

Portable Power Bank and USB-A cord can be stored in ceiling pocket.

T7 Portable USB-A Power Bank

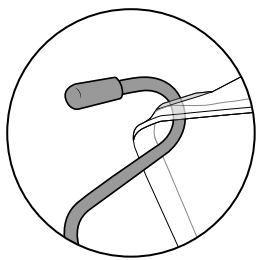
TENT STOWAGE - TAKEDOWN

43

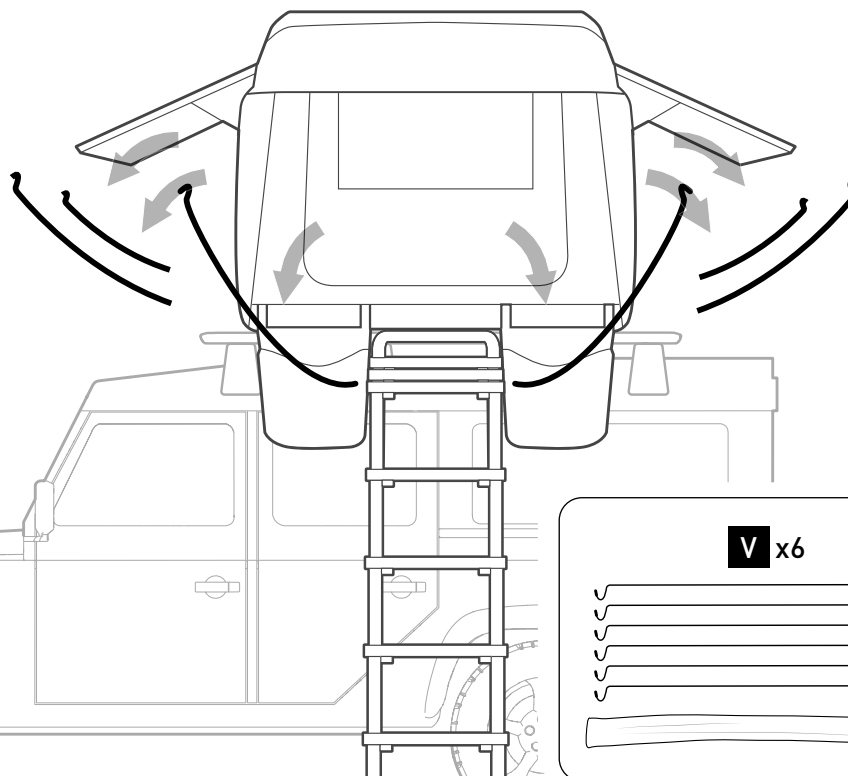


- Make sure there are no sharp items left in the tent.
- Allow tent to dry completely before stowing.
- Close the zippers of the doors and windows most of the way, leaving them slightly open to allow the tent to air out while it is folded.

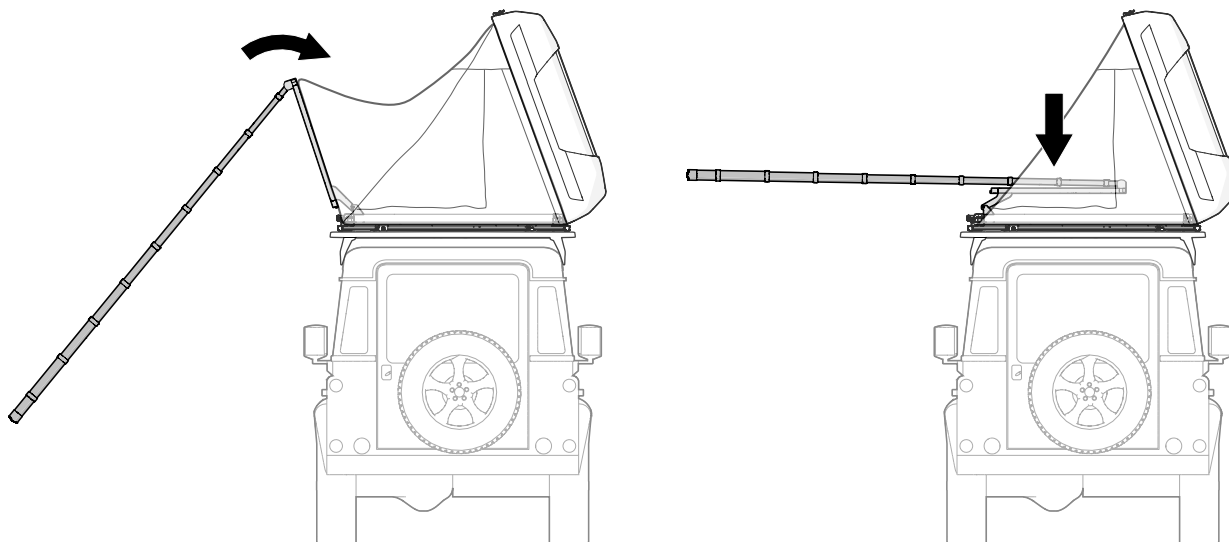
NOTE: For ease of future setup, bedding can be left inside. Ensure tent is still able to close fully



UNHOOK

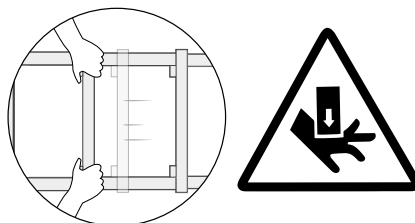
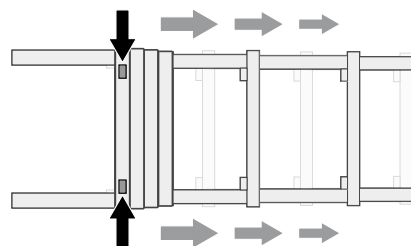
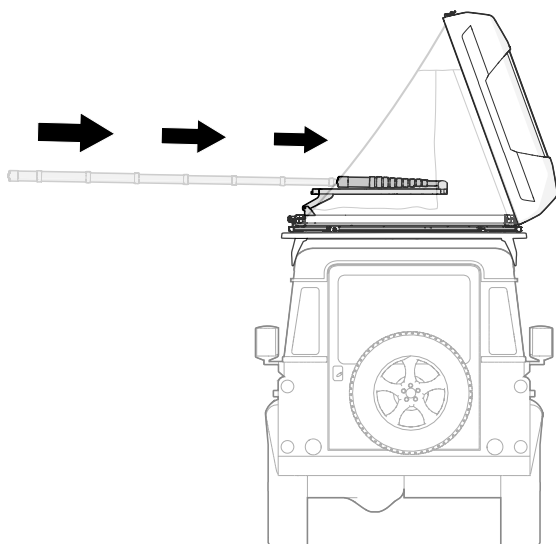


44



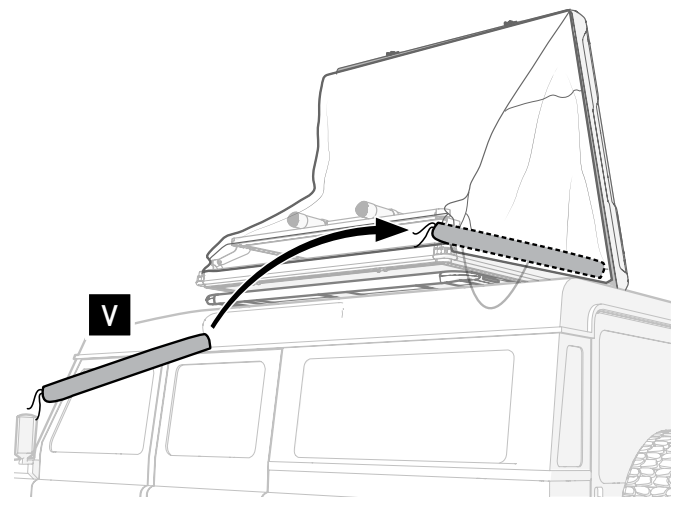
45

Retract Ladder completely



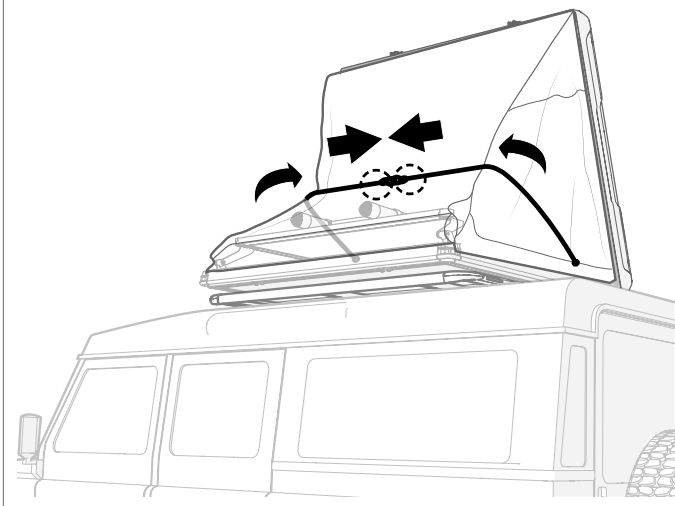
Take caution not to pinch your fingers when retracting the ladder.

46



47

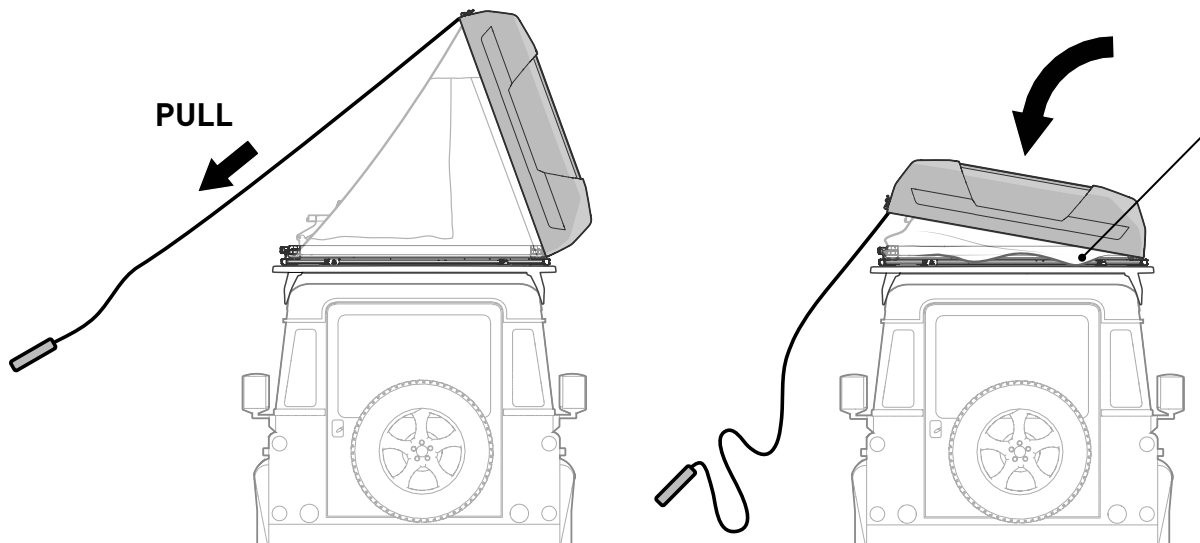
Reattach bungee cords



48

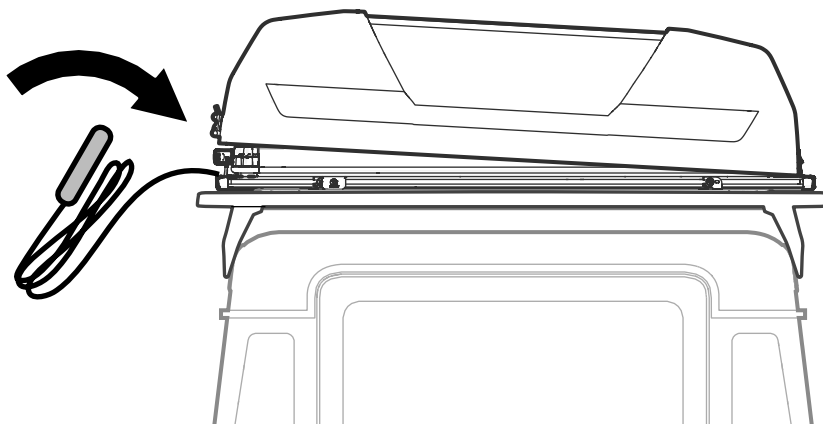


While closing, make sure tent fabric has collapsed into the shell on all sides. **Tuck the fabric into the shell if needed.**

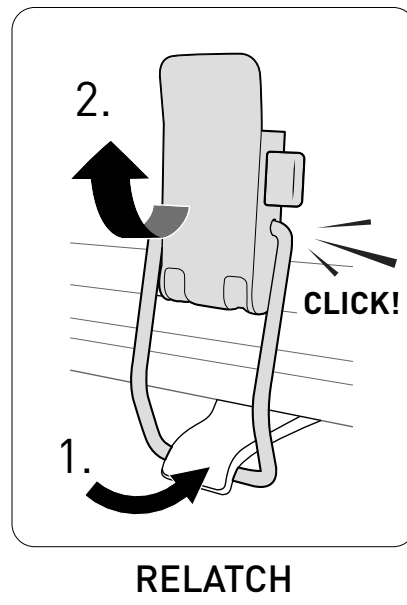
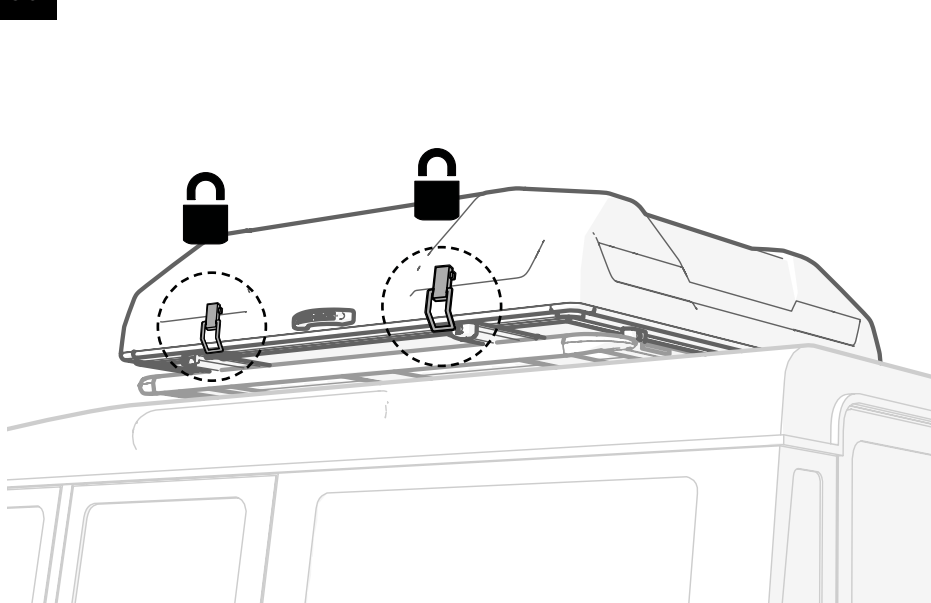


49

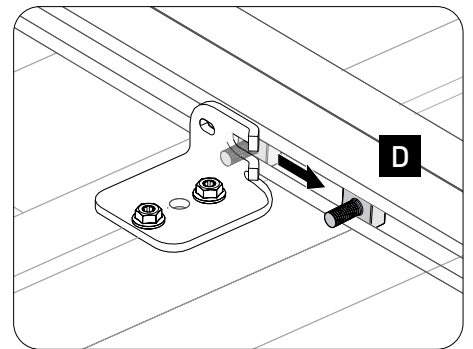
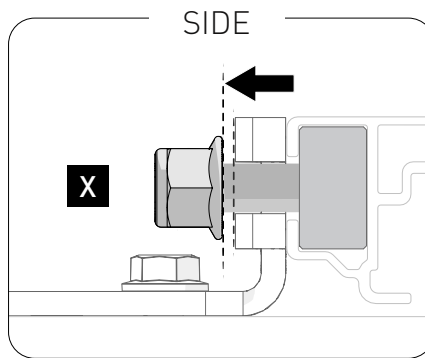
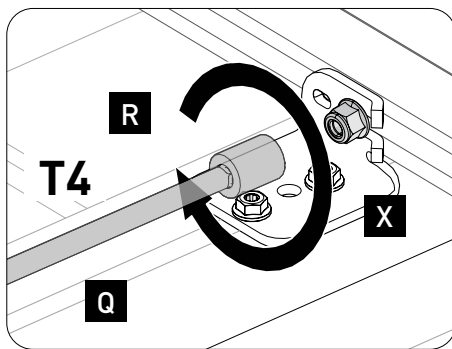
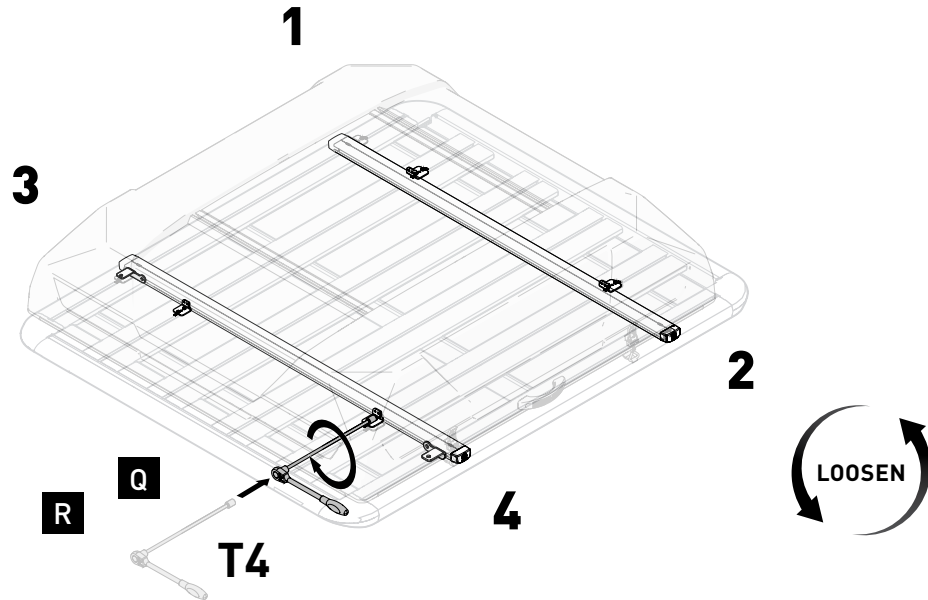
Tuck in strap before fully closing shell.



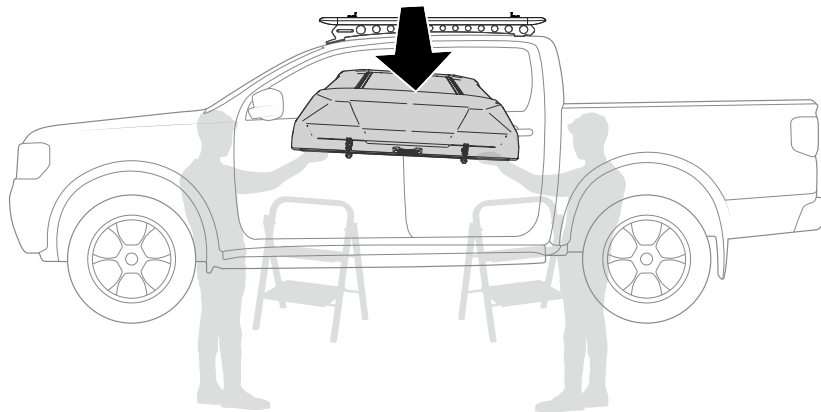
50



51

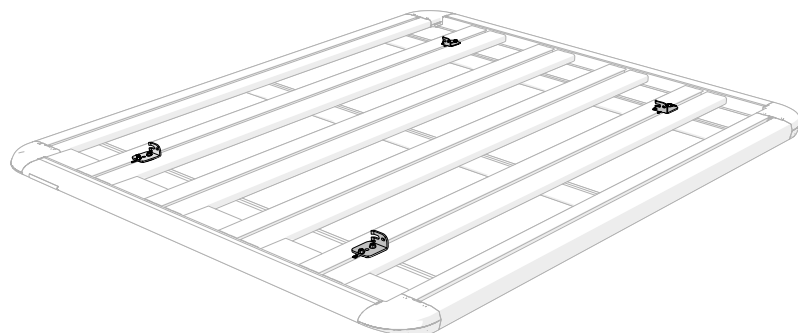


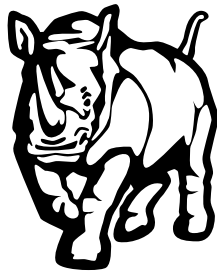
52



NOTE:

Mount brackets can remain on the roof rack system!





RHINO-RACK®

MAKE SPACE FOR ADVENTURE

RHINORACK.COM

Rhino-Rack AUSTRALIA

22A Hanson Pl,
Eastern Creek, NSW, 2766

Rhino-Rack USA

19822 E 22nd Ave,
Aurora, CO, 80011