



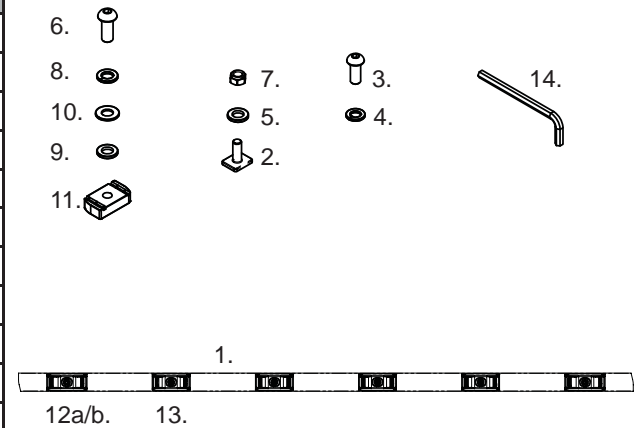
RHINO-RACK

Pioneer Underbar Kit 43254 43255

Important: Please read these instructions carefully prior to installation. Please refer to your fitting instruction to ensure that the Pioneer System is installed in the correct location. Check the contents of kit before commencing fitment and report any discrepancies. Place these instructions in the vehicle's glove box after installation is complete. Always be sure to check Rhino-Rack website to ascertain if you have the latest instructions before installing.

43254 Suits Trays - 41101, 42101B, 45101B, 41103, 42103B, 45103B, 42110B, 45110B.
 43255 Suits Trays - 41104, 42104B, 45104B, 41108, 42108B, 45108B, 42111B, 45111B, 42112B.

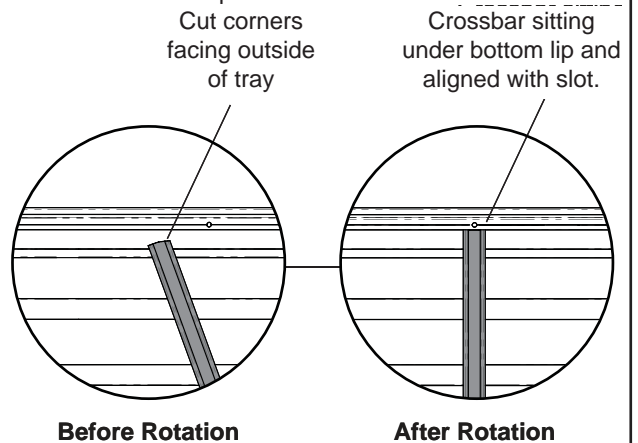
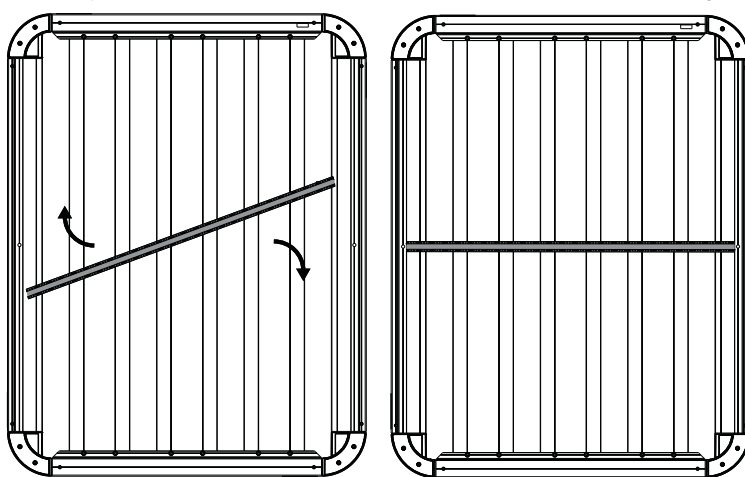
Item	Component Name	Part No.	43254	43255
1	Crossbar	A809	1	1
2	M6 x 16mm T-bolt	B260	2	2
3	M6 x 20mm sec screw	B062	4	4
4	M6 spring washer	W004	4	4
5	M6 x 16mm flat washer	W031	6	6
6	M8 x 20mm sec screw	B155	2	2
7	M6 nyloc nut	N013	2	2
8	M8 spring washer	W019	2	2
9	M8 x 15mm flat washer	W065	2	2
10	M8 x 17 mm flat washer	W020	2	2
11	M8 channel nut	N003	2	2
12a	Plastic tab (side)	M754	2	2
12b	Plastic tab (side)	M755	-	2
13	Plastic tab 85mm	M753	4	4
14	Allen key	H021	1	1
15	Instructions	R1579	1	1



Tools Required:
 10mm socket wrench.
 5mm allen key (found in pioneer kit).

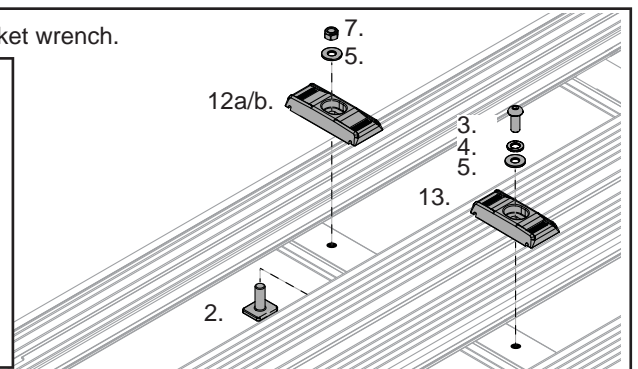
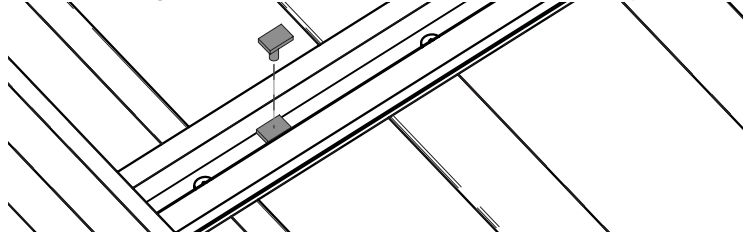
Instructions

1 Lay the Platform face down. Place the Crossbars in at an angle and rotate under the lip of the Frame Side Extrusions.



2 Install the tabs as shown. Tighten with a 5mm allen or 10mm socket wrench.

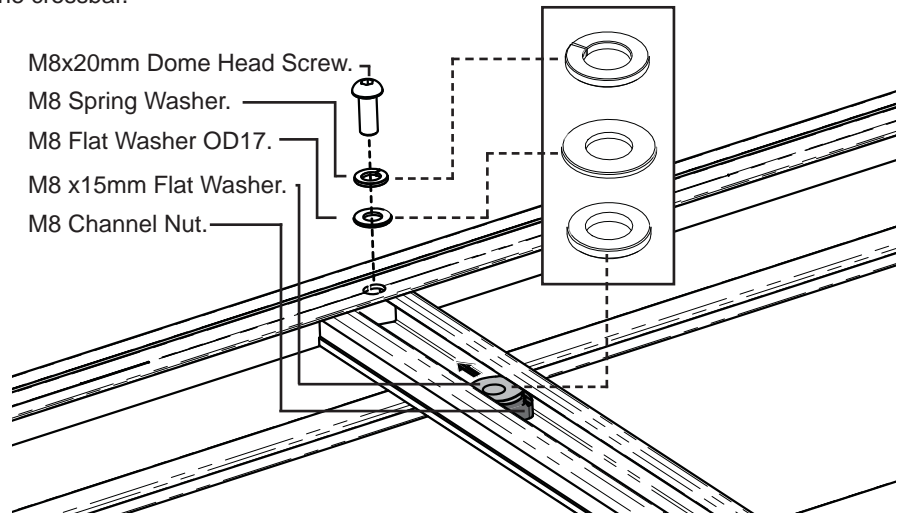
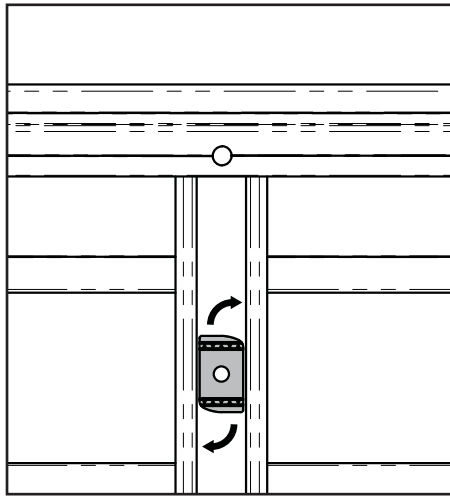
Underside View: The head of the T-Bolt will sit in the subtle groove that runs along the crossbar. Ensure T-Bolt locates correctly.





Pioneer Underbar Kit 43254 43255

- 3** Place channel nut within the crossbar as shown below and rotate 90 degrees. Place M8x15mm flat washers on top of the channel nut and slide both to the outside of the tray so they sit under the slot. Proceed to fit remaining hardware as shown. Repeat this process for both sides of the crossbar.



3 Pike Street, Rydalmere,
NSW 2116, Australia.
(Ph) (02) 9638 4744
(Fax) (02) 9638 4822

Document No: R1579
Prepared By: Kayle Everett
Authorised By: Chris Murty

Fit Time: 10min
Issue No: 01
Issue Date: 03/10/2017