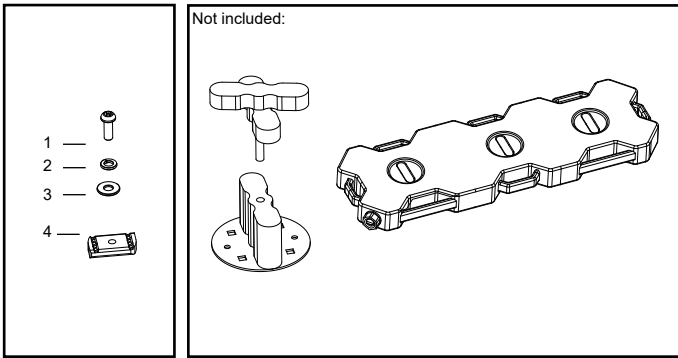


# RHINO-RACK®

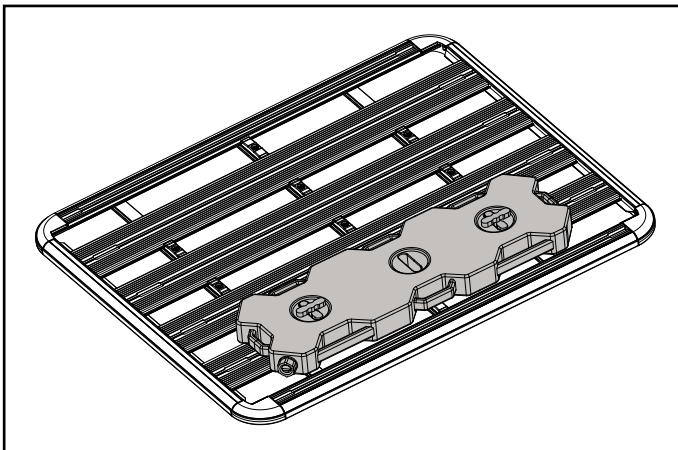
## Rotopax Fit Kit for Pioneer Range (43203)

To be used in conjunction with Rotopax Mounts Part no's: RX-PM / RX-DLX-PM / RX-LOX-PM

### Parts List



Item	Component	Qty	Part No.
1	M6 x 16 Button Head Bolt	4	B061
2	M6 Flat Washer	4	W031
3	M6 Spring Washer	4	W004
4	M6 Channel Nut	4	N002
5	Allen Key	1	TORKEY-S
6	Fitting Instructions	1	R928



**1** Assemble the bracket kit as shown. Do not tighten hardware at this stage.

Rhino-Rack  
 3 Pike Street, Rydalmere,  
 NSW 2116, Australia.  
 (Ph) (02) 9638 4744  
 (Fax) (02) 9638 4822  
 These instructions remain the property of Rhino-Rack Australia Pty Ltd  
 and may not be used or changed for any other purpose than intended.

Prepared By: Peter Luu  
 Authorised By: Chris Murty  
 Issue No: 02  
 Issue Date: 4/02/2016

**2** Place the spacer kit into the tray access slot as shown. Finger tighten the bolts.

**3** Place a Rotopax besides the Rotopax Pack Mounts and adjust so that the slots align.

**4** Place the Rotopax onto the pack mounts. Tighten all four bolts.

**5** Ensure that the upper handle tightened and is positioned perpendicular to the lower handle.