



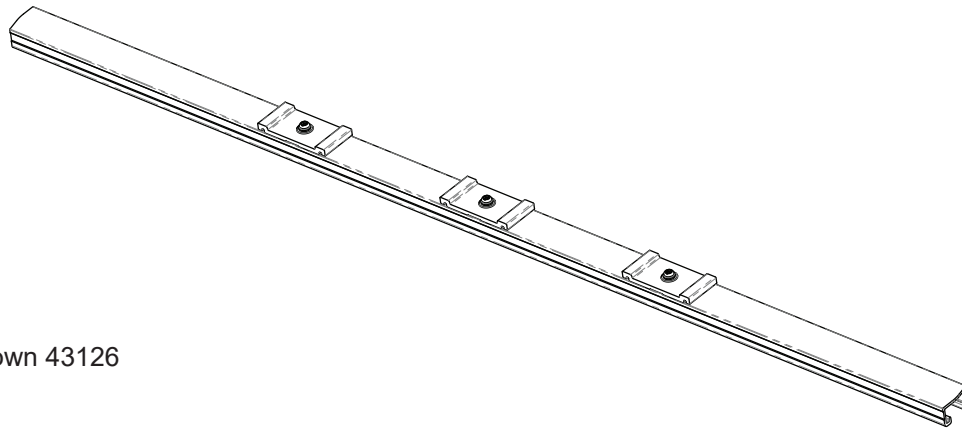
# RHINO-RACK

**CONTROLLED**

## Rhino Pioneer Additional Crossbar Kit (with Tabs) (43126, 43127 & 43128 & 43260)

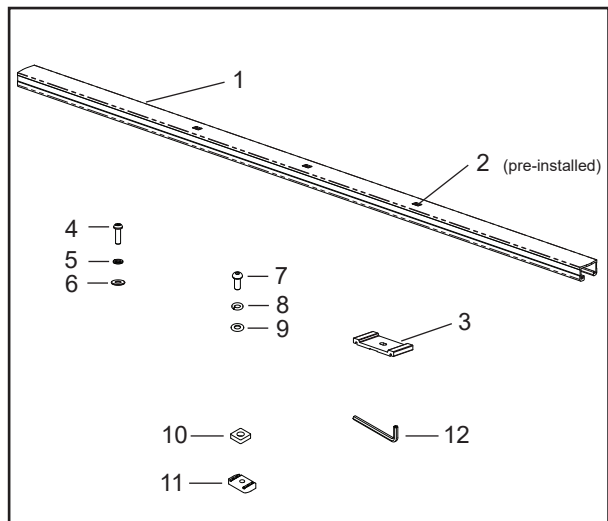
Place these instructions in the vehicle's glove box after installation is complete.

**Important:** Please read these instructions carefully prior to installation.  
Please refer to your fitting instruction to ensure that the alloy tray is installed correctly.  
Check the contents of this kit before commencing fitment and report any discrepancies.



Crossbar kit shown 43126

Item	Component Name	Quantity			
		43126	43127	43128	43260
1	Crossbar Black	1	1	1	1
2	M6 Cage Nut	3	4	4	4
3	Alloy Locking Tab Black	3	4	4	4
4	M6 x 20mm Screw Black	3	4	4	4
5	M6 Spring Washer Black	3	4	4	4
6	M6 x OD16 mm Falt Washer Blk	3	4	4	4
7	M8 x 20mm Dome Socket Black	2	2	2	2
8	M8 Spring Washer Black	2	2	2	2
9	M8 x OD17 Flat Washer Black	2	2	2	2
10	Clamp Washer Black	2	2	2	2
11	M8 Channel Nut Black	2	2	2	2
12	Allen Key	1	1	1	1
13	Fitting Instructions	1	1	1	1



### Care Instruction

Clean alloy tray prior to fitting the Pioneer Crossbar Kit.

### Tools Required

Allen Key (provided in kit)

### Installation

For fitment of the crossbar kit refer to the Pioneer Fitting Instruction provided with the tray.

Rhino-Rack  
22 Hanson St, Eastern Creek,  
NSW 2766, Australia.  
(Ph) (02) 8846 1900  
rhinorack.com.au

Document No: R299  
Prepared By: Nigel Greig  
Authorised By: Chris Murty

Issue No: 03  
Issue Date: 11/10/2018

These instructions remain the property of Rhinorack Australia Pty Ltd and may not be used or changed for any other purpose than intended.