



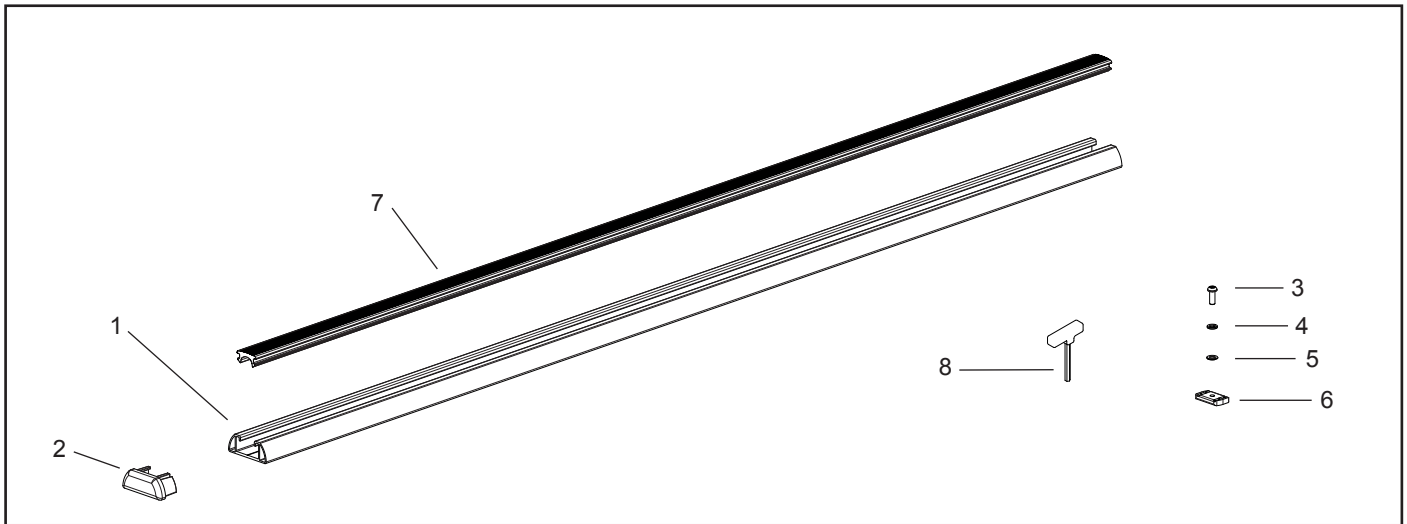
RHINO-RACK

CONTROLLED

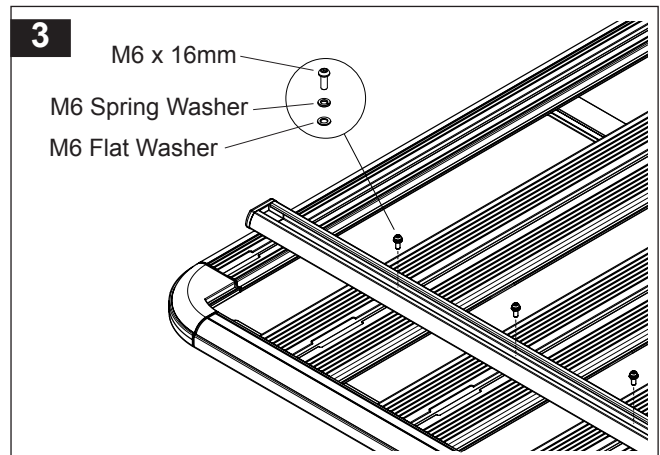
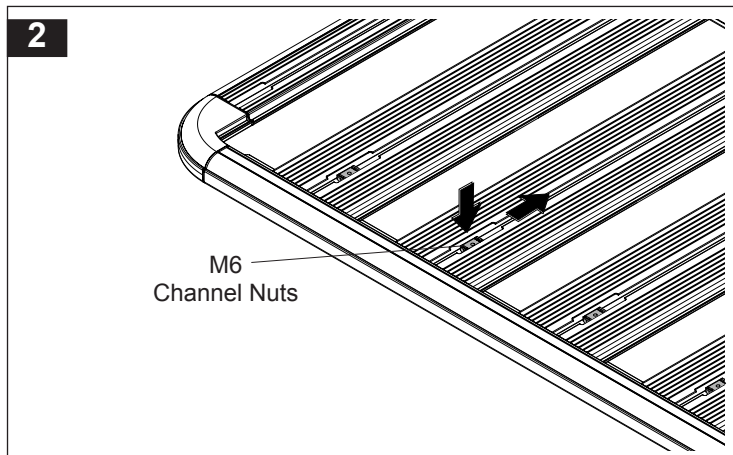
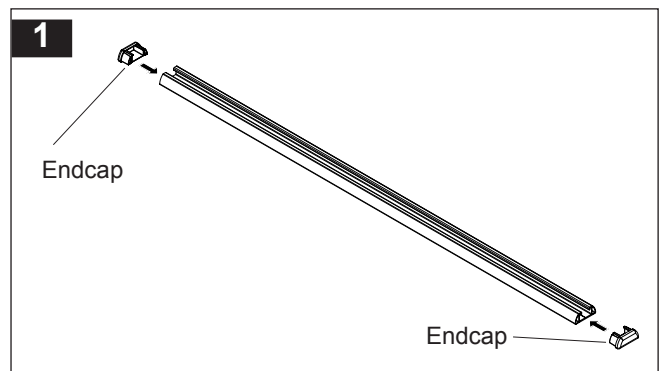
43119 & 43120 - Pioneer Accessory Attachment Bar

Place these instructions in the vehicle's glove box after installation is complete.

Important: Please read these instructions carefully prior to installation.
Please refer to your fitting instruction to ensure that the alloy tray is installed correctly.
Check the contents of this kit before commencing fitment and report any discrepancies.



Item	Component Name	Qty	Part No.
1	Half Aero Crossbar (1220 / 1360mm)	2	A554/A555
2	Crossbar Endcap	4	M535
3	M6 x 16mm Security Screw	10	B061
4	M6 Spring Washer	10	W004
5	M6 x OD12.5mm Flat Washer	10	W003
6	M6 Channel Nut	10	N002
7	Buffer Strip	2	R004
8	Security Allen Key 5mm	1	SECKEY-S
9	Fitting Instructions	1	R254



Rhino-Rack
3 Pike Street, Rydalmere,
NSW 2116, Australia.
(Ph) (02) 9638 4744
(Fax) (02) 9638 4822

Document No: R254
Prepared By: Nigel Greig
Authorised By: Chris Murty

Issue No: 03
Issue Date: 19/01/2016

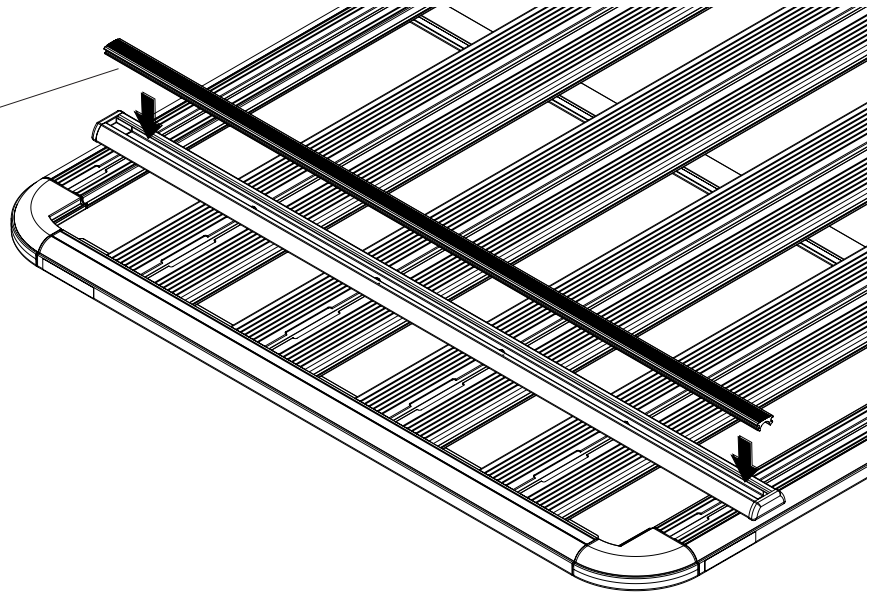
These instructions remain the property of Rhinorack Australia Pty Ltd and may not be used or changed for any other purpose than intended.



43119 & 43120 - Pioneer Accessory Attachment Bar

4

Buffer Strip



Attachment Bar Kit	Suits
43119	4 Plank Pioneer
43120	5 Plank Pioneer

Alternate Fitment

When fastening the attachment bar to the side extrusions of the tray you will have to measure and drill two holes (Diam. 7mm) in the attachment bar to suit the tray. When fitting in this manner simply use the hardware from the outside planks to fasten in this position.

