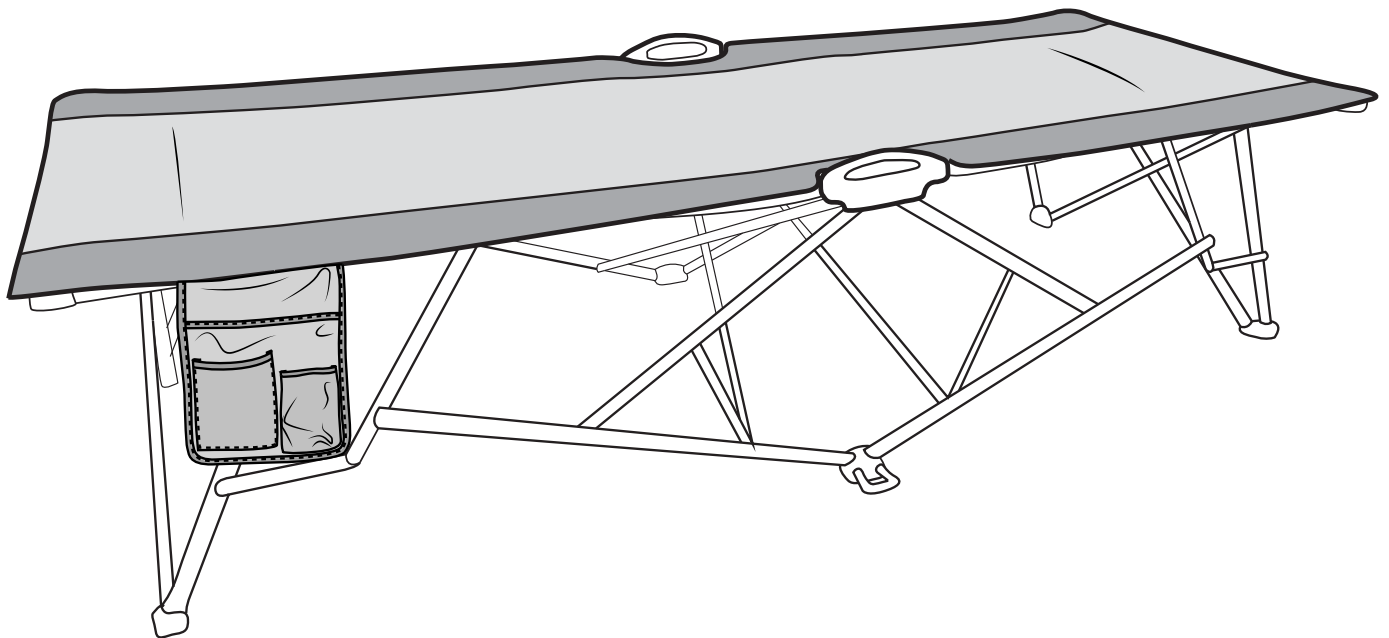


CONTROLLED



RHINO-RACK

Rhino-Rack Camping Stretcher Bed (34004)



Maximum load capacity : 113kg/250lbs

Rhino-Rack

3 Pike Street, Rydalmere,
NSW 2116, Australia.
(Ph) (02) 9638 4744
(Fax) (02) 9638 4822

Issue No: R534
Prepared By: Sam Whelan
Authorised By: Chris Murty

Issue No: 02
Date: 26/02/2015

These instructions remain the property of Rhino-Rack Australia Pty Ltd and may not be used or changed for any other purpose than intended.



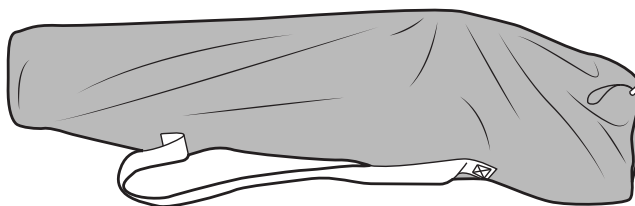
Rhino-Rack Camping Stretcher Bed (34004)

Parts List

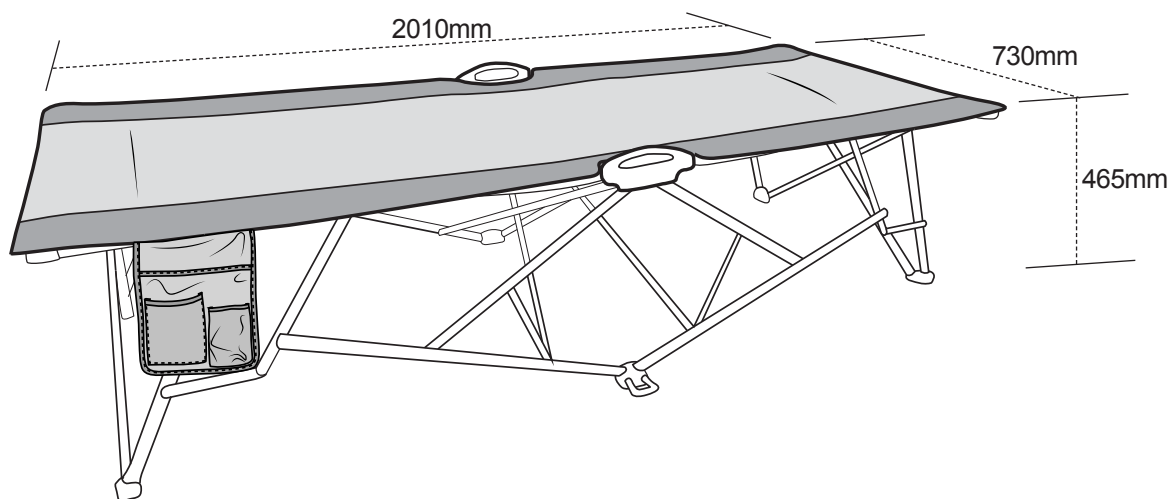
Item	Component Name	Qty	Part No.
1	Stretcher Bed	1	34004
2	Stretcher Bag	1	-
3	Fitting Instruction	1	R534

**MAX. weight :
113kg/250lbs**

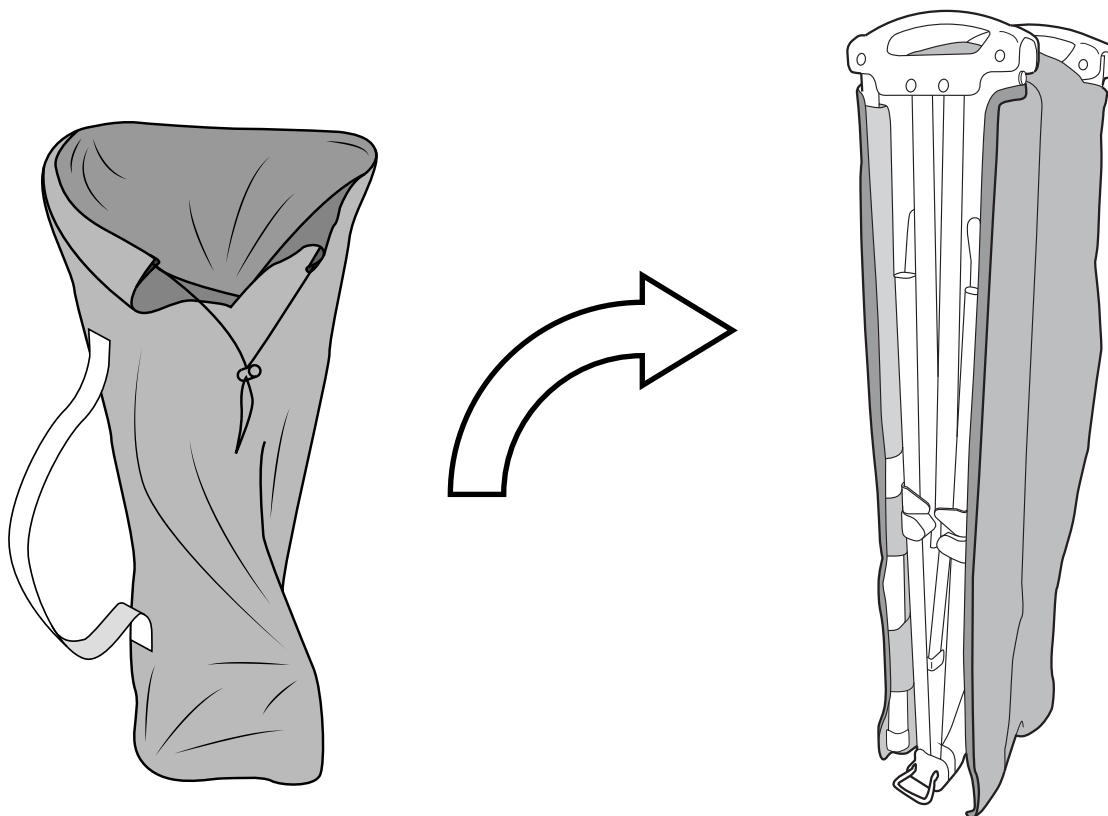
2.



1.



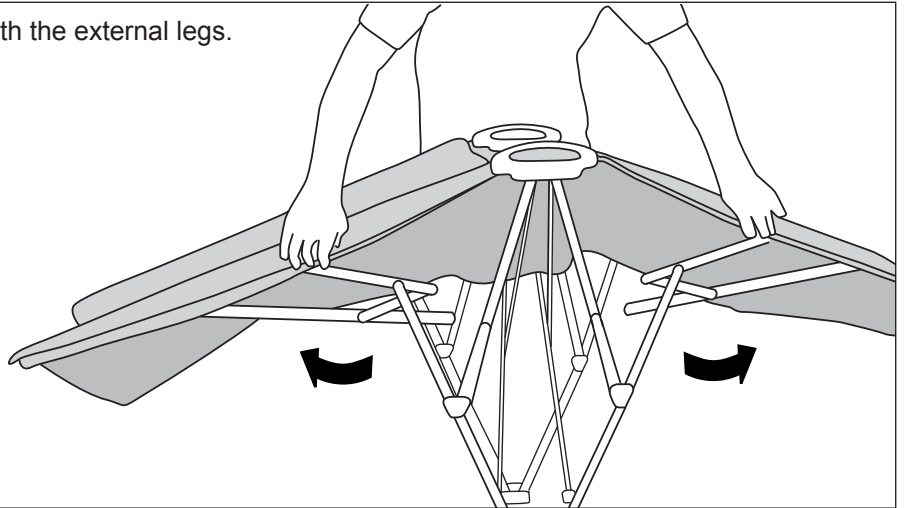
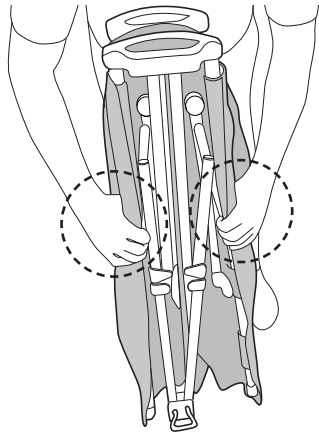
1



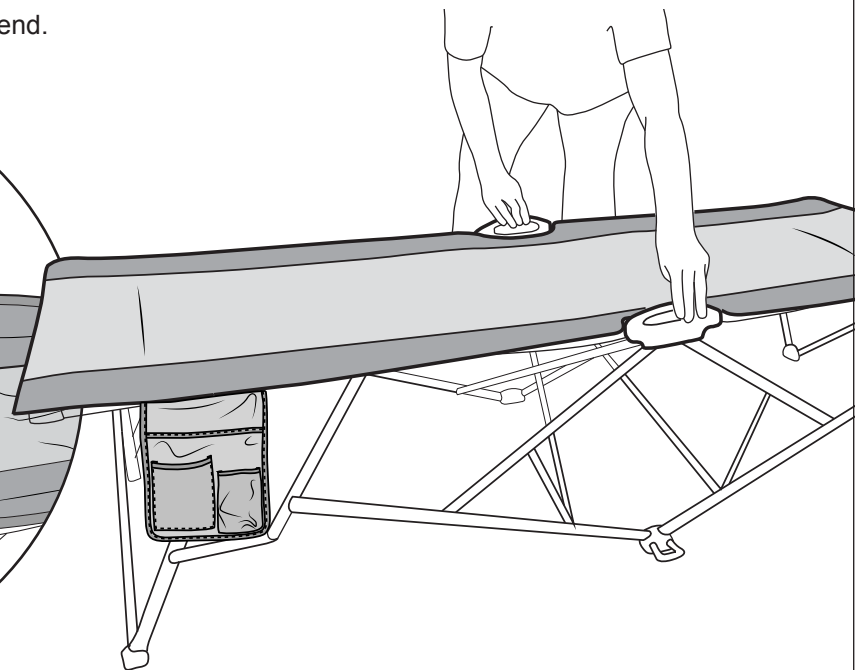
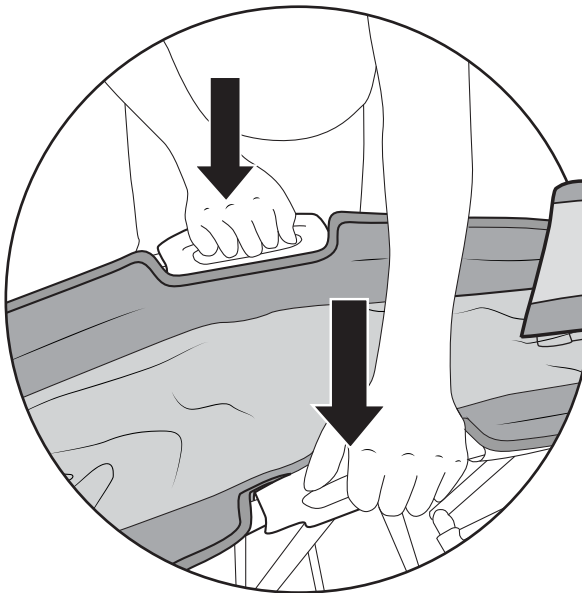


Rhino-Rack Camping Stretcher Bed (34004)

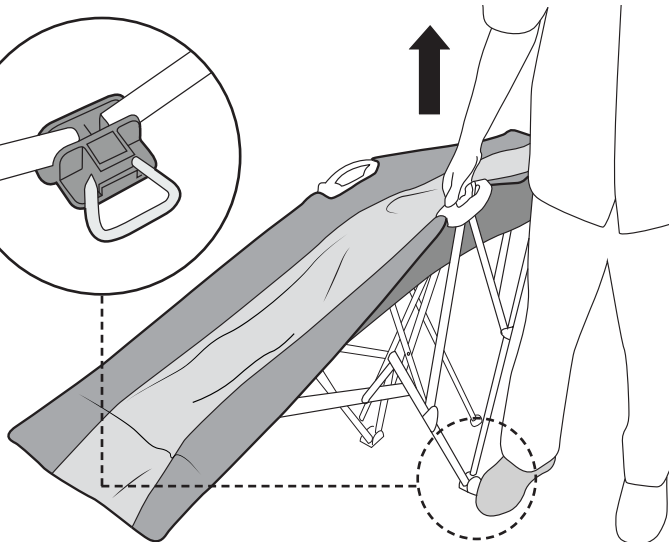
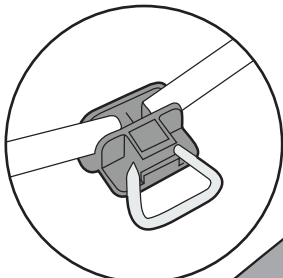
2 Pull open the Camping Stretcher with the external legs.



4 Push down on both handles to fully extend.



5 To close, step on the metal hook at the bottom of the leg and pull on the corresponding handle.



6

