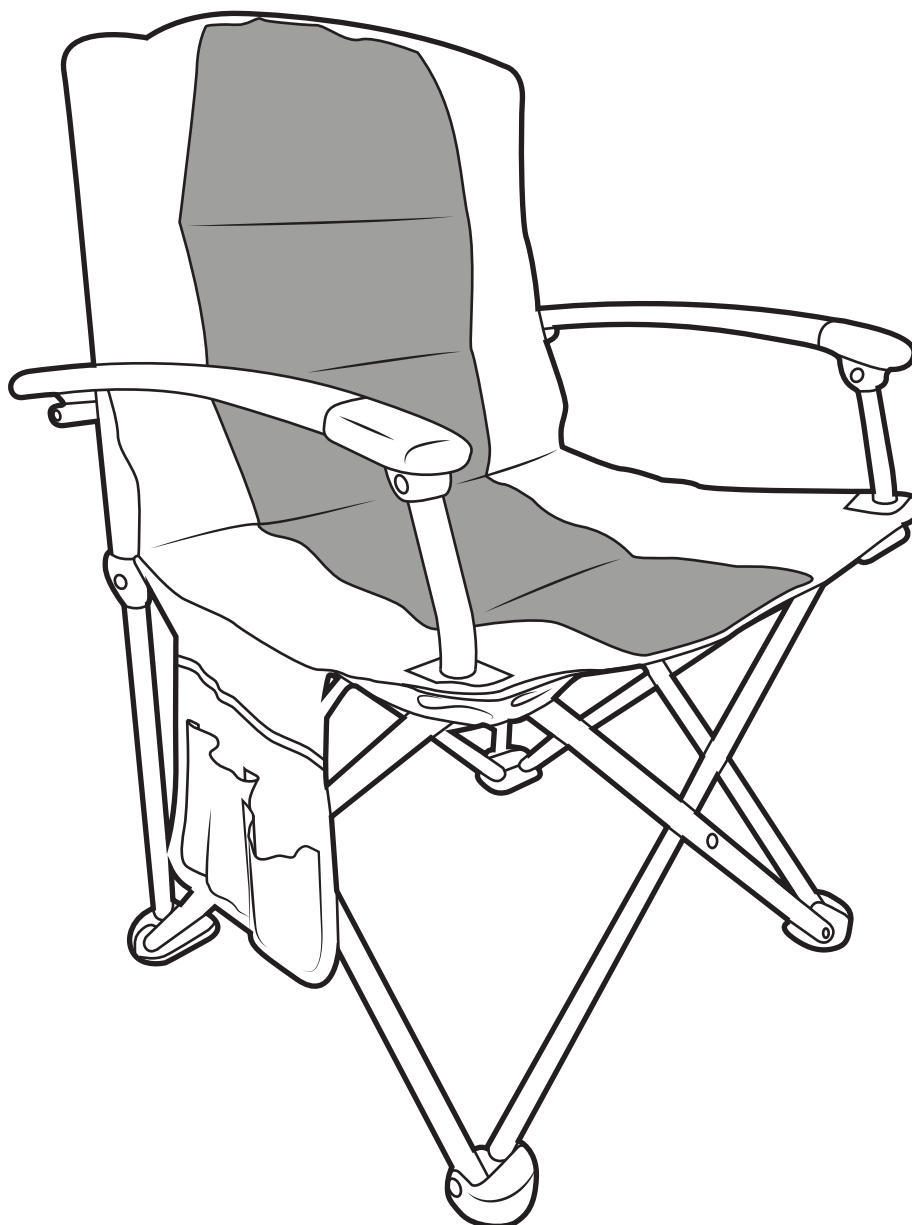




RHINO-RACK

Rhino-Rack Hard Arm Chair (34002)



Maximum load capacity : 159kg/350lbs

Rhino-Rack

3 Pike Street, Rydalmere,
NSW 2116, Australia.
(Ph) (02) 9638 4744
(Fax) (02) 9638 4822

Issue No: R499
Prepared By: Kayle Everett
Authorised By: Chris Murty

Issue No: 02
Date: 26/02/2015

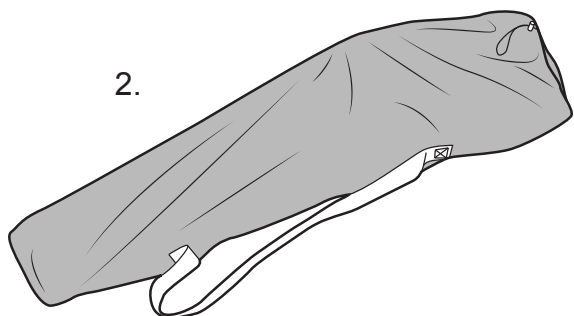


Rhino-Rack Hard Arm Chair (34002)

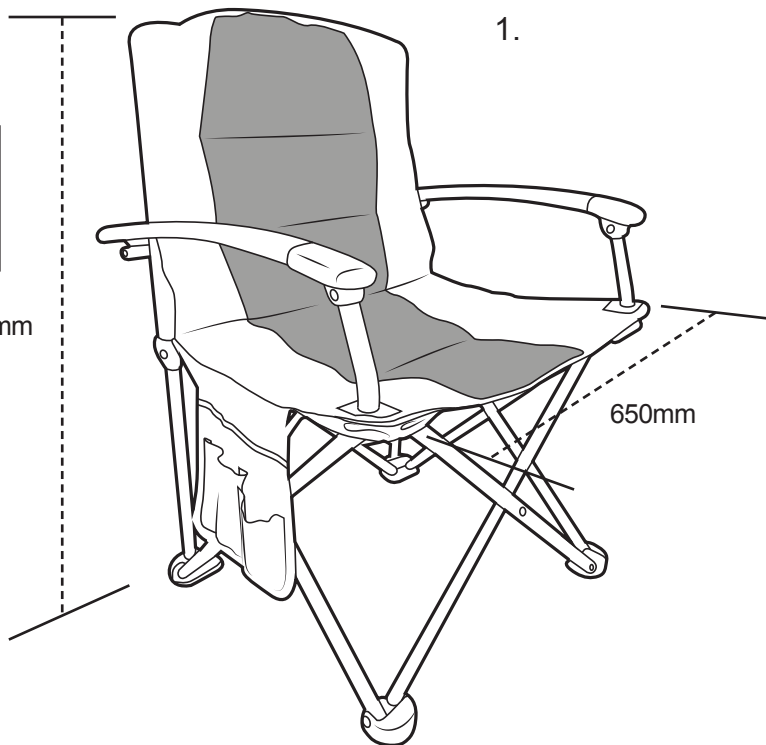
Parts List

Item	Component Name	Qty	Part No.
1	Hard Arm Chair	1	
2	Camping Chair Bag	1	
3	Fitting Instruction	1	R499

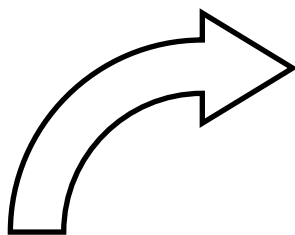
**MAX. weight :
159kg/350lbs**



940mm



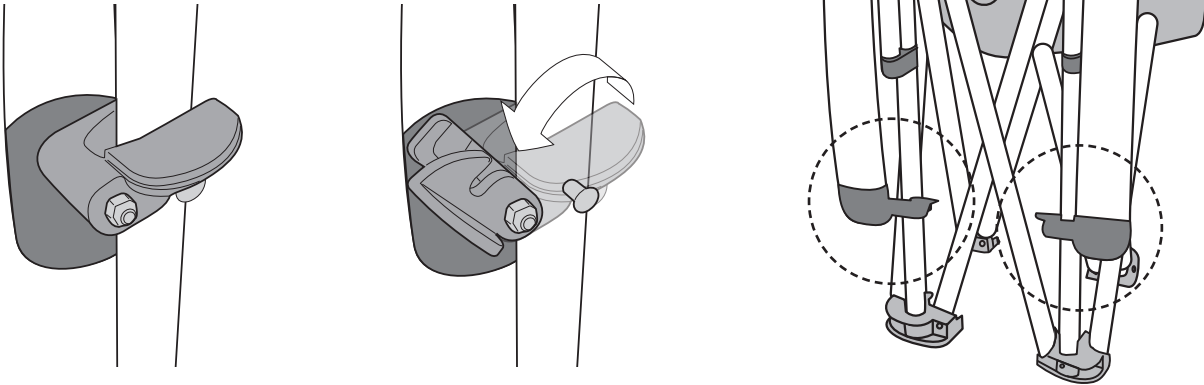
1



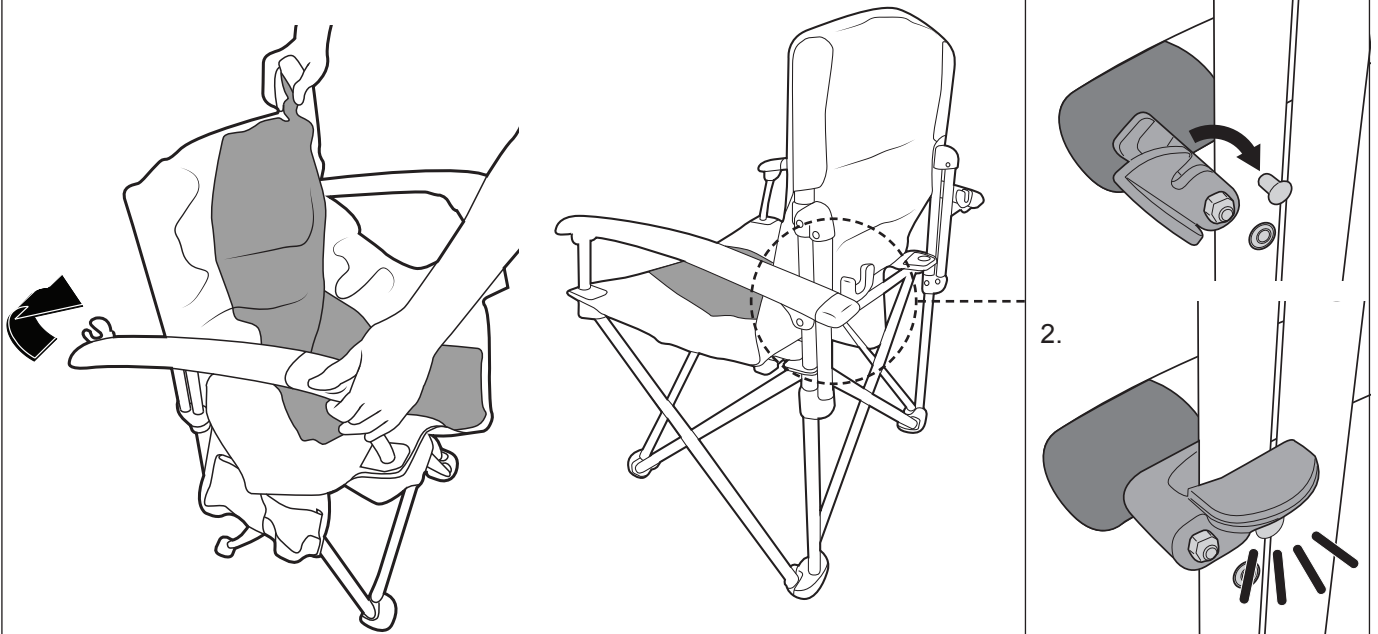


Rhino-Rack Hard Arm Chair (34002)

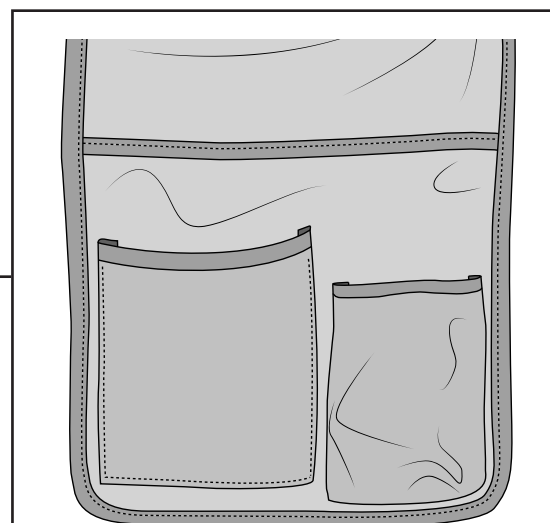
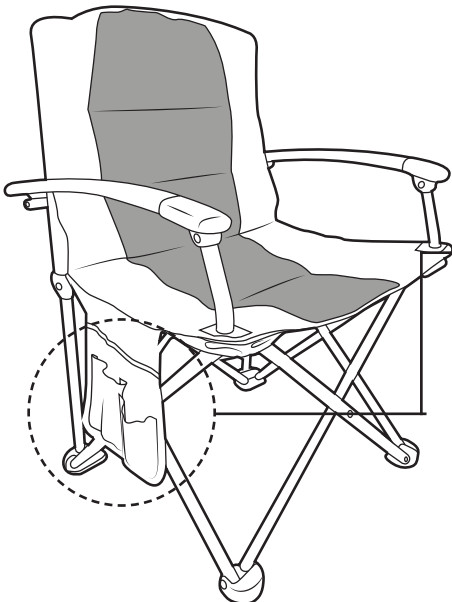
- 2** Unclip locking tabs found at the base of the arms.



- 3** Push the opposing legs away from one another as shown. The arms will slide up so they are parallel with the floor. Clip arm rests to the rear chair legs to fix the chair in position.



- 4** Be sure clips are secure before use.



Storage pouches can be found on the right side of the chair.