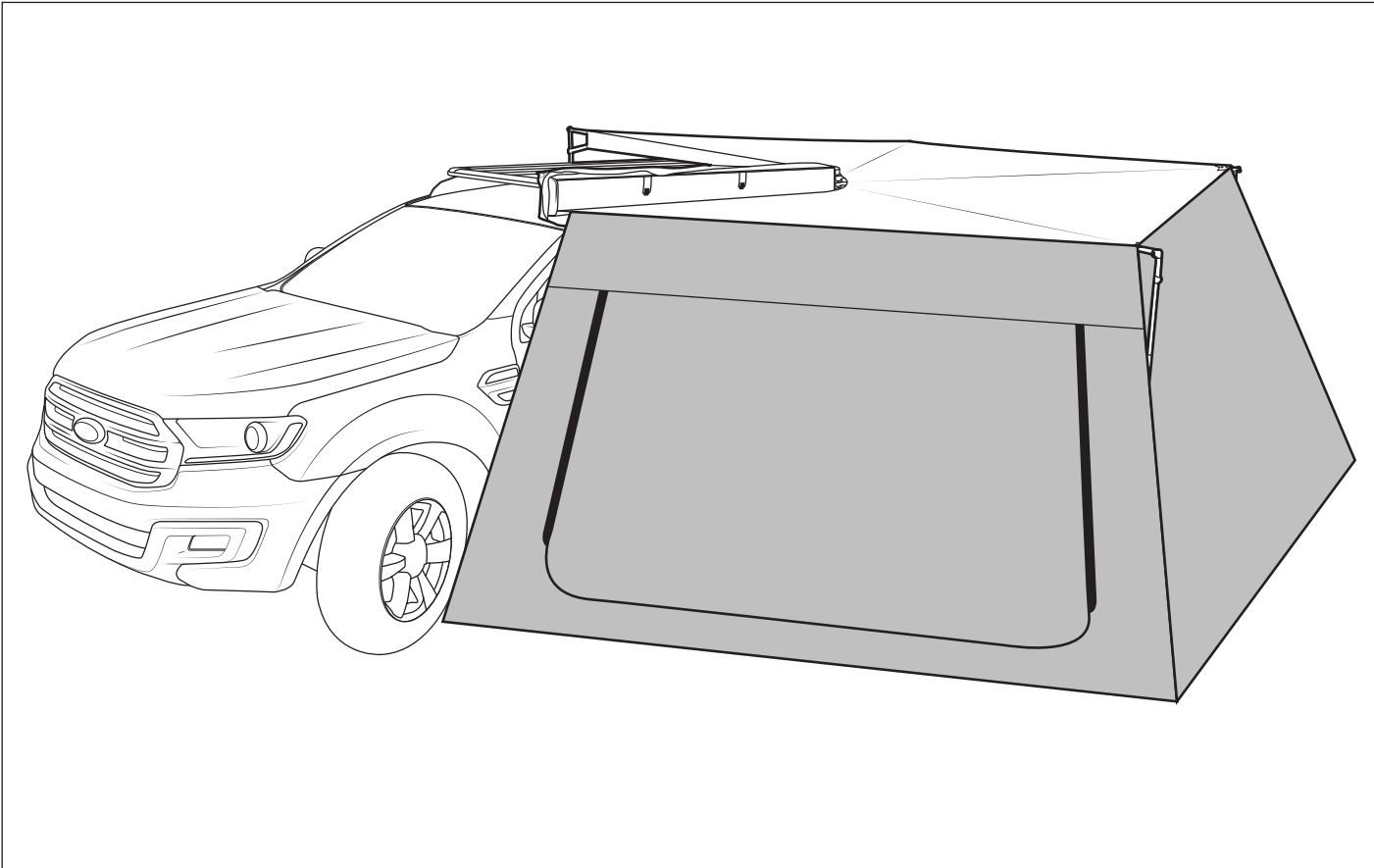




RHINO-RACK

33103 Rhino-Rack BATWING Tapered Extension with Door

1. Check Part No./Kit is correct 3. Fit roof rack accessory
 2. Read through instruction before installing 4. Check and recheck all fasteners are secure

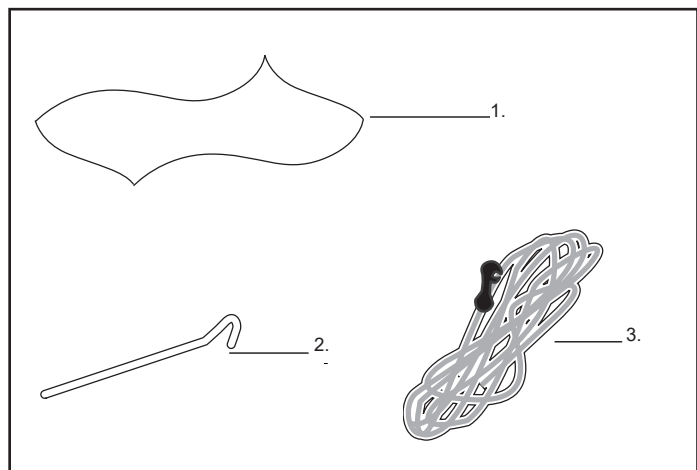


Parts Lists

Item	Component	Qty	Part No.
1	Batwing Zippered Extension with Door	1	31103
2	Guy Rope	2	C910
3	Metal Peg	3	C909
4	Fitting Instruction	1	R1821

Tools Required:

Mallet.



Please remove Batwing awning and crossbars when using an automatic carwash.

Note for Dealers and Fitters:

It is your responsibility to ensure these fitting instructions are given to the end user or client

Rhino-Rack, 22 Hanson Pl, Eastern Creek
NSW 2766, Australia
(02) 8846 1900
rhinorack.com.au

Document No: R1821
Prepared By: K.Everett
Authorised By: Nicholas Clarke

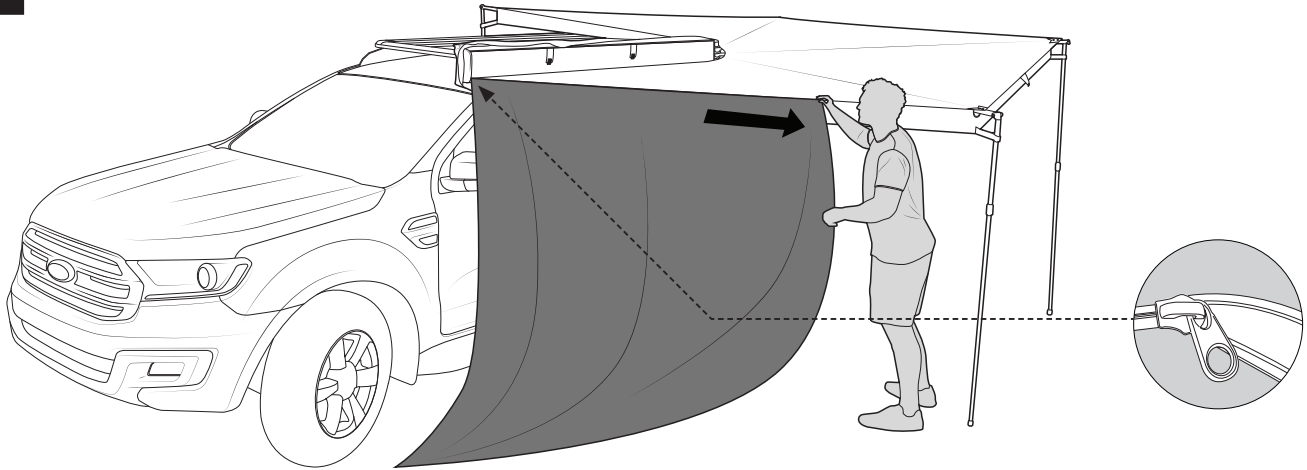
Issue No: 01
Issue Date: 10/12/2018

These instructions remain the property of Rhino-Rack Australia Pty. Ltd. and may not be used or changed for any other purpose than intended.

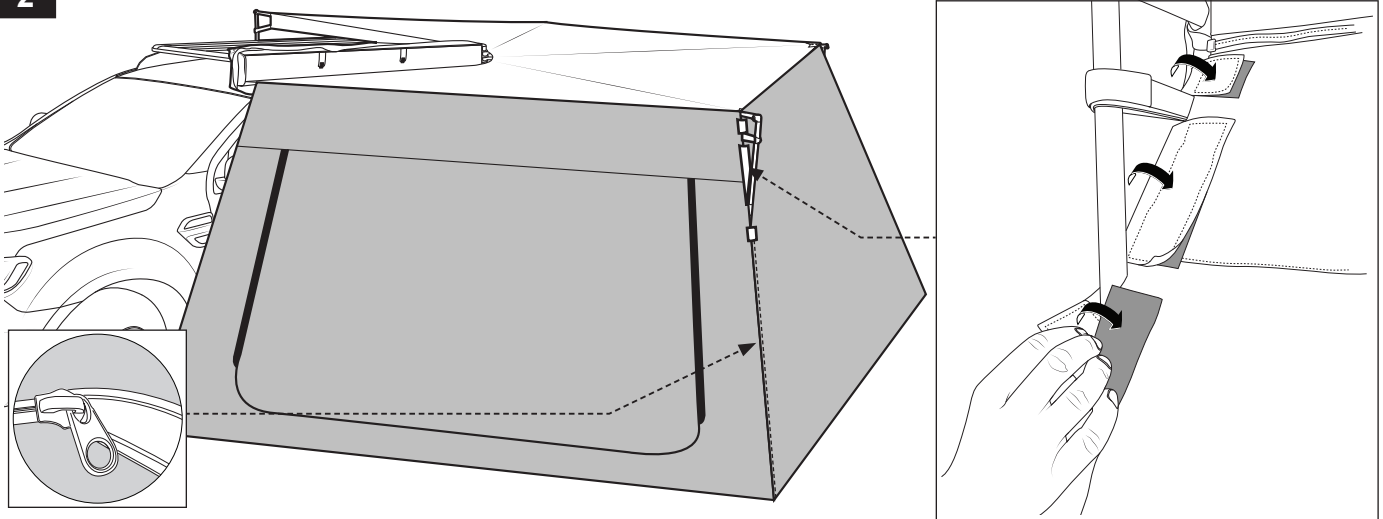
33103 Rhino-Rack BATWING Tapered Extension with Door

Fitting Instructions

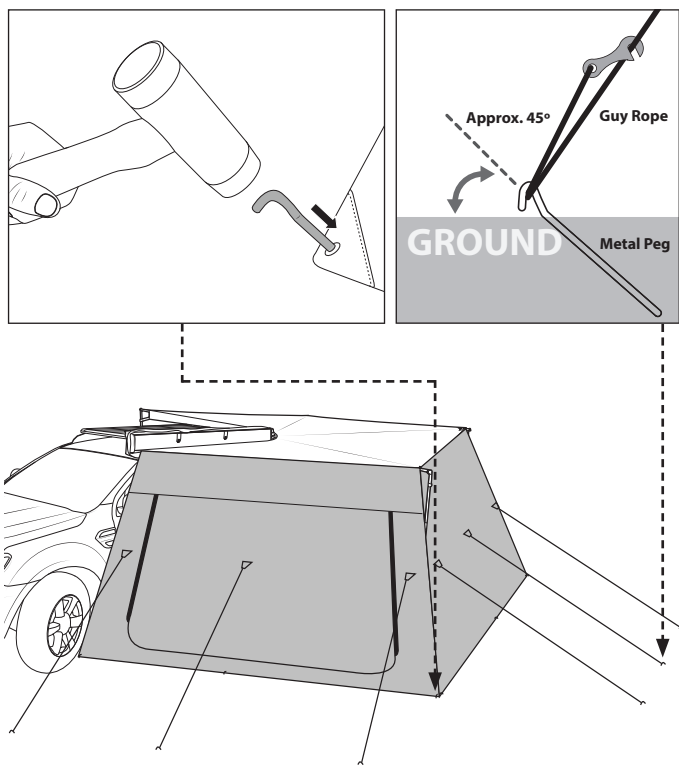
1



2



3



4

