

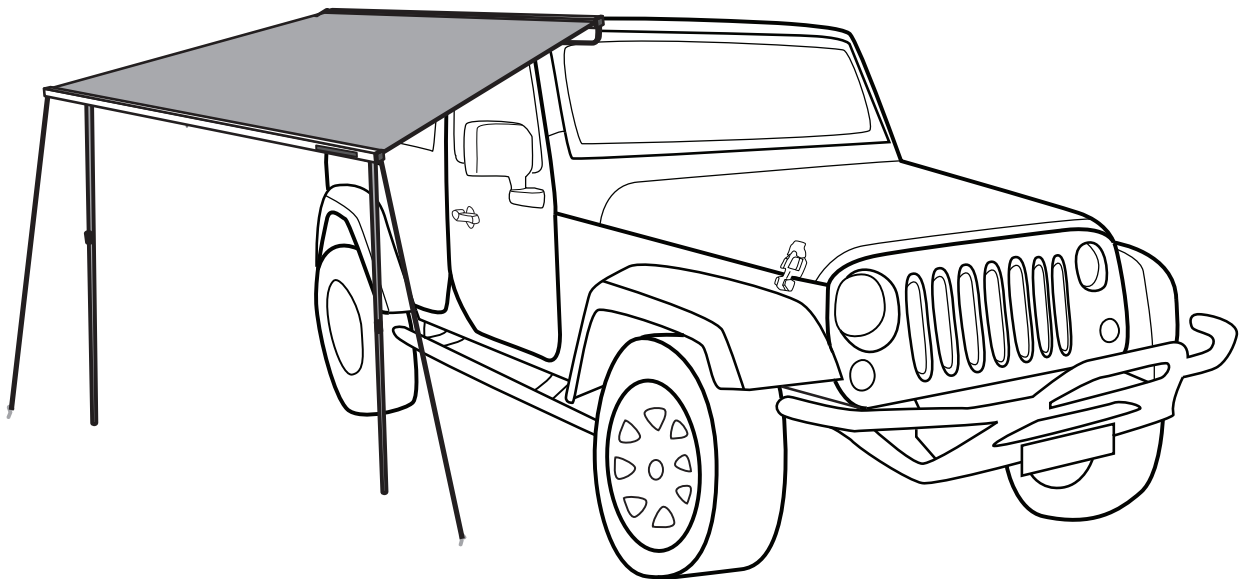


RHINO-RACK

Jeep Wrangler 4dr Sunseeker Brackets Right Side (32121)

Important: Please read these instructions carefully prior to installation.
Please refer to your fitting instruction to ensure that the Sunseeker is installed correctly.
Check the contents of kit before commencing fitment and report any discrepancies.
Place these instructions in the vehicle's glove box after installation is complete.

Layout



Note: Use caution in windy conditions!
The pegs and ropes must always be used
when the SUNSEEKER II awning is open.

Important Information

Recommendations:

It is essential that all bolt connections be checked after driving a short distance when you first install your Rhino SUNSEEKER II Awning. Bolt connections should be checked again at regular intervals (probably once a week is enough, depending on road conditions, usage, loads and distances travelled).

Use only non-stretch fastening ropes or straps.

Please remove SUNSEEKER II Awning and crossbars when putting vehicle through an automatic car wash.

Note for Dealers and Fitters

It is your responsibility to ensure this fitting instruction is given to the end user or client.

Rhino-Rack
3 Pike Street, Rydalmere,
NSW 2116, Australia.
(Ph) (02) 9638 4744
(Fax) (02) 9638 4822

Document No: R651
Prepared By: Peter Luu
Authorised By: Chris Murty

Issue No: 02
Issue Date: 03/02/15

These instructions remain the property of RhinoRack Australia Pty. Ltd. and may not be used or changed for any other purpose than intended.



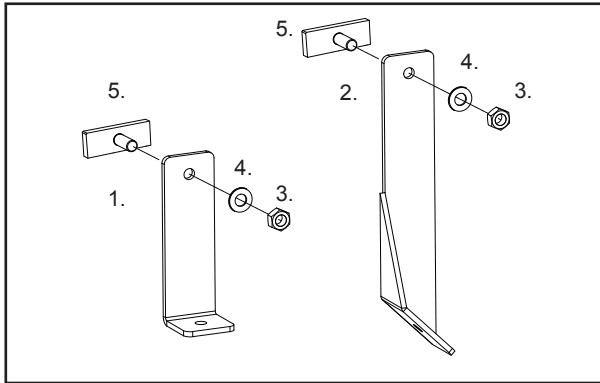
Jeep Wrangler 4dr Sunseeker Brackets Right Side (32121)

Item	Component Name	Qty.	Part No.
1	Front Bracket Jeep JK	1	CA1395
2	Rear Bracket Jeep JK	1	CA1396
3	M8 Nyloc Nut	2	N028
4	M8 Flat Washer	2	W020
5	M8 x 19 Steel Bolt	2	B222
6	Instructions	1	R651

Tools Required: Tape measure, Spanner

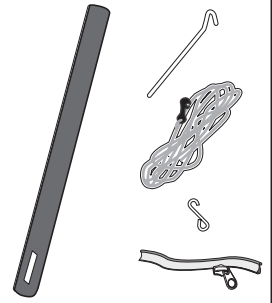


Parts List

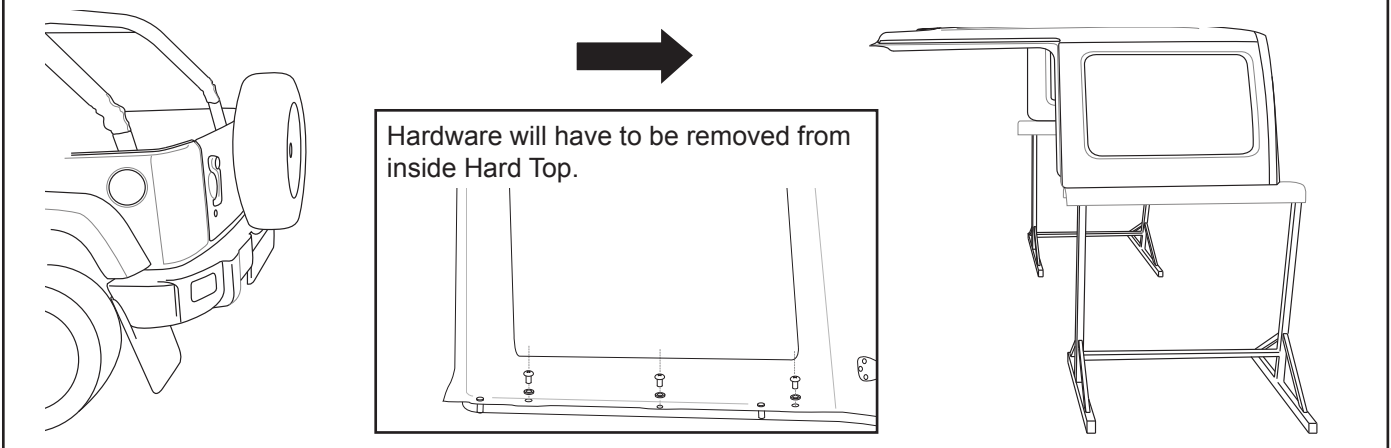


Parts Required

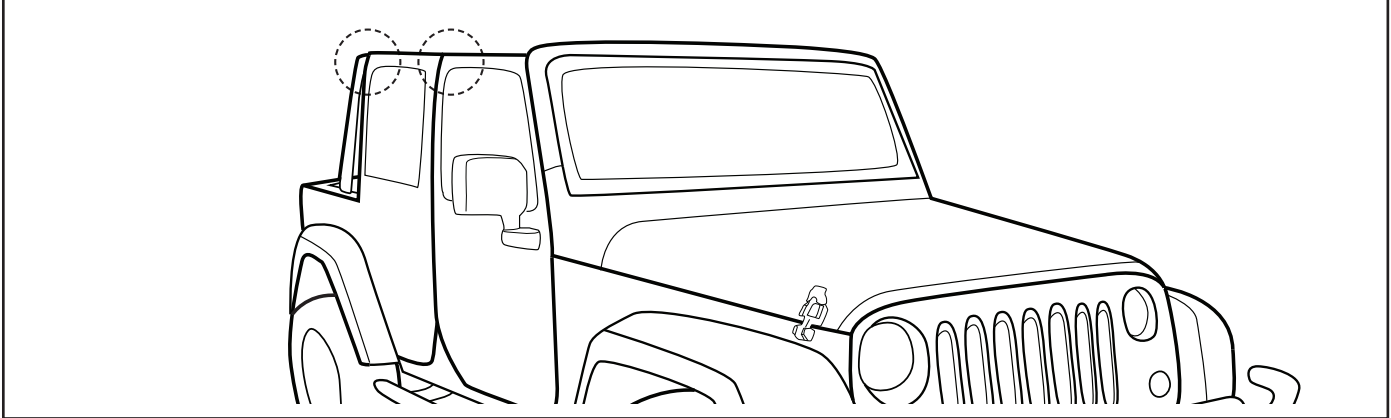
Sunseeker Kit



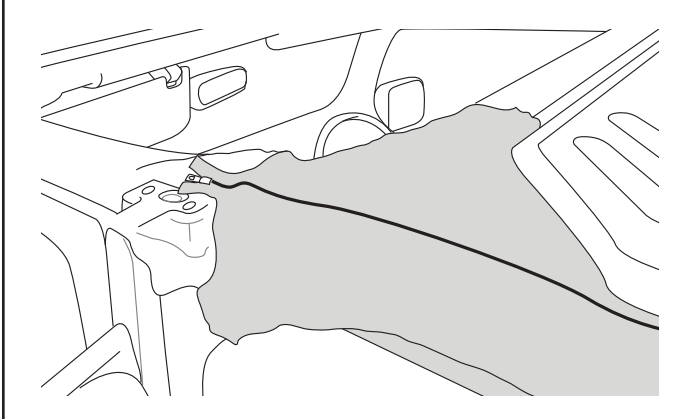
1 Remove the Hard Top (as per manufacturer's instruction) and place onto a stable, safe working area.



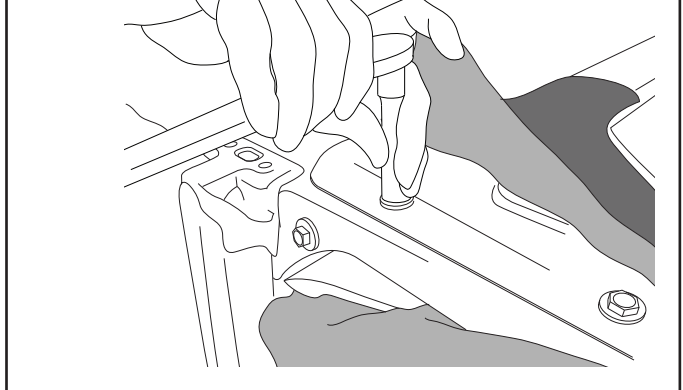
2 Move to the right hand side of the vehicle as shown.



3 Locate zipper concealing the Jeep's bracket fixture point.



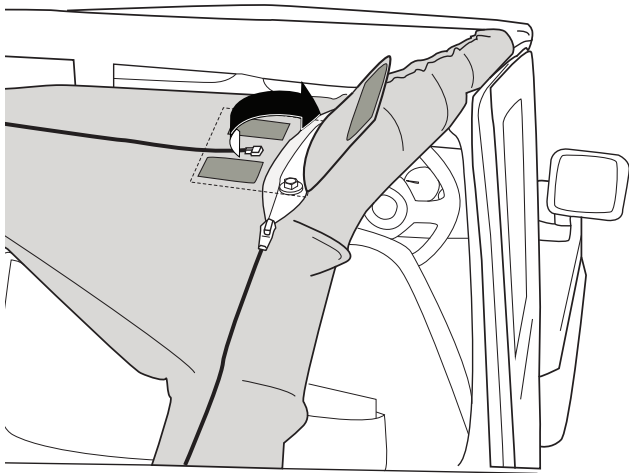
4 Unzip, revealing fixture point. Locate the hardware and remove the hardware with a 13mm socket wrench.



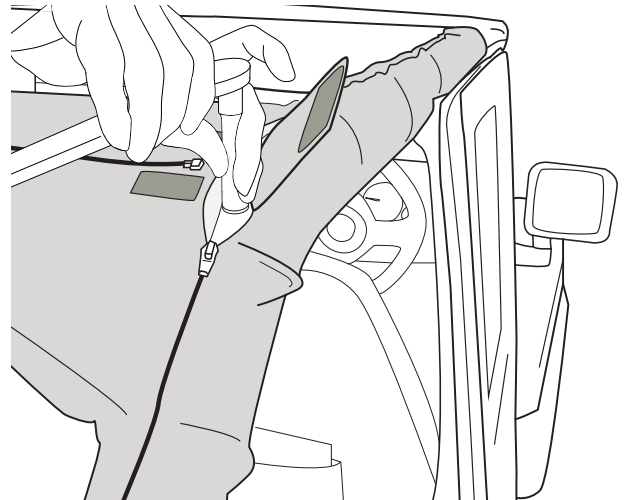


Jeep Wrangler 4dr Sunseeker Brackets Right Side (32121)

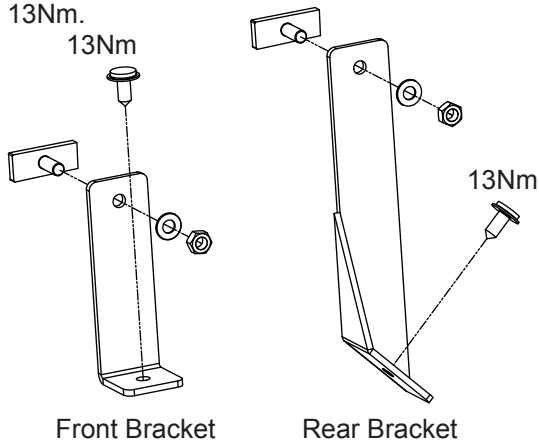
- 5** At the rear of the vehicle, lift the strap and unzip, concealing the Jeep's bracket fixture point.



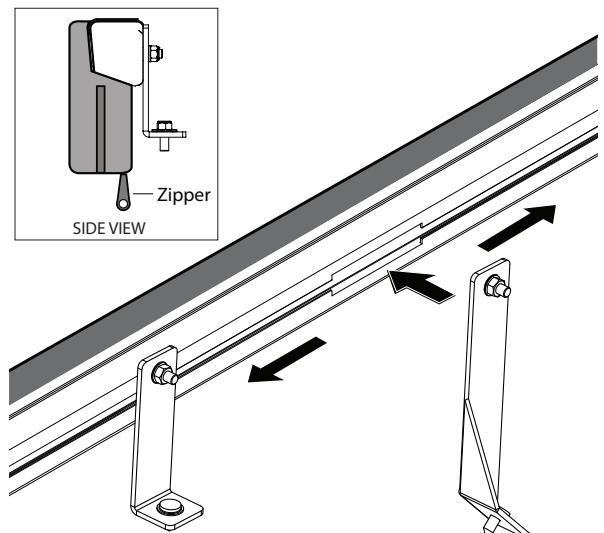
- 6** Unzip and remove the hardware with a 13mm socket wrench.



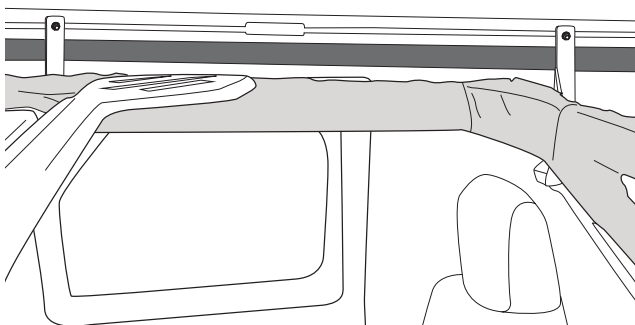
- 7** Assemble the Sunseeker hardware onto the bracket using the flat washers and nyloc nuts provided in this kit, finger tighten. Fix the brackets to the vehicles by replacing the hardware removed in steps 4 and 5. Tighten to 13Nm.



- 8** Insert bracket into sunseeker as shown.



- 9** Assemble the sunseeker with the bracket onto the Jeep as shown.



- 10** Adjust the Sunseeker to ensure that there is not much overhang. Check again that all hardware is secure. Cover up foam padding where possible.

