

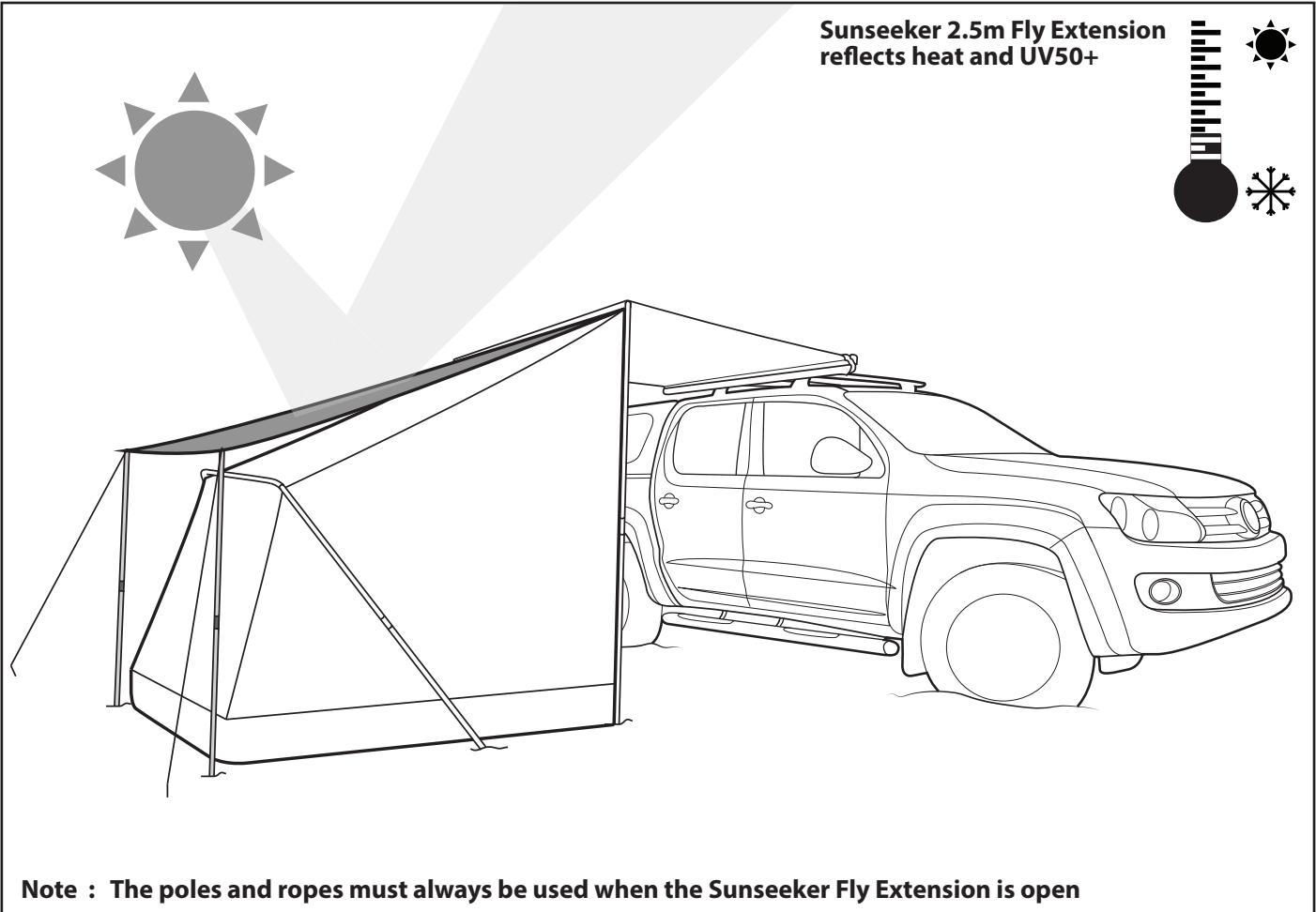


# RHINO-RACK

## Sunseeker 2.5m Fly Extension 32117

**Important:** Please read these instructions carefully prior to installation.  
Check the contents of kit before commencing fitment and report any discrepancies.  
Place these instructions in the vehicle's glove box after installation is complete.

### Layout



This kit is to be used in conjunction with the Rhino-Rack Sunseeker 2.5m Awning

### Important Information

**Please remove Sunseeker Awning and crossbars when putting vehicle through an automatic car wash.**

#### Note for Dealers and Fitters

It is your responsibility to ensure that this fitting instruction is given to the end user or client.

Rhino-Rack  
3 Pike Street, Rydalmere,  
NSW 2116, Australia.  
(Ph) (02) 9638 4744  
(Fax) (02) 9638 4822

Document No: R471  
Prepared By: Kayle Everett  
Authorised By: Chris Murty

Issue No: 02  
Issue Date: 13/05/2015

These instructions remain the property of Rhino-Rack Australia Pty Ltd and may not be used or changed for any other purpose than intended.



# Sunseeker Fly Extension 32117

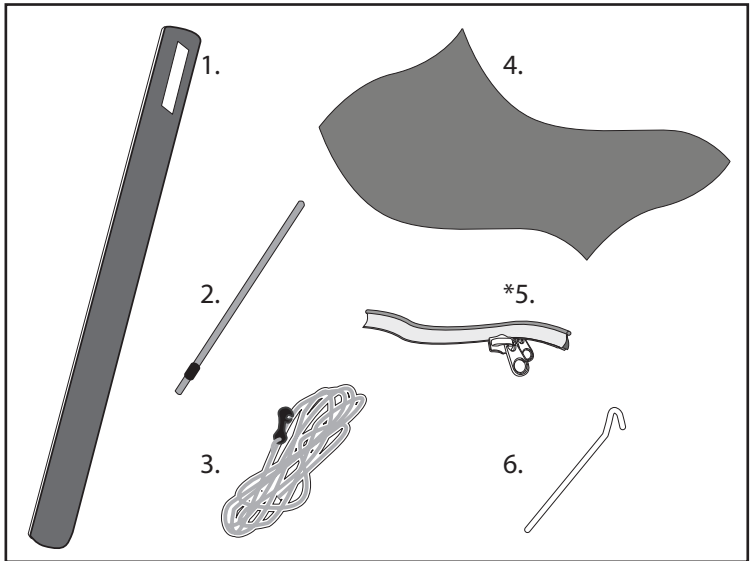
## Parts List

Item	Component Name	Qty	Part
1	Extension Bag	1	-
2	Poles	2	-
3	Guy Ropes	2	-
4	Sunseeker Fly Extension	1	-
*5	Double Zipper Insert	1	32116
6	Metal Pegs	2	-
7	Fitting Instruction	1	R471

### Note:

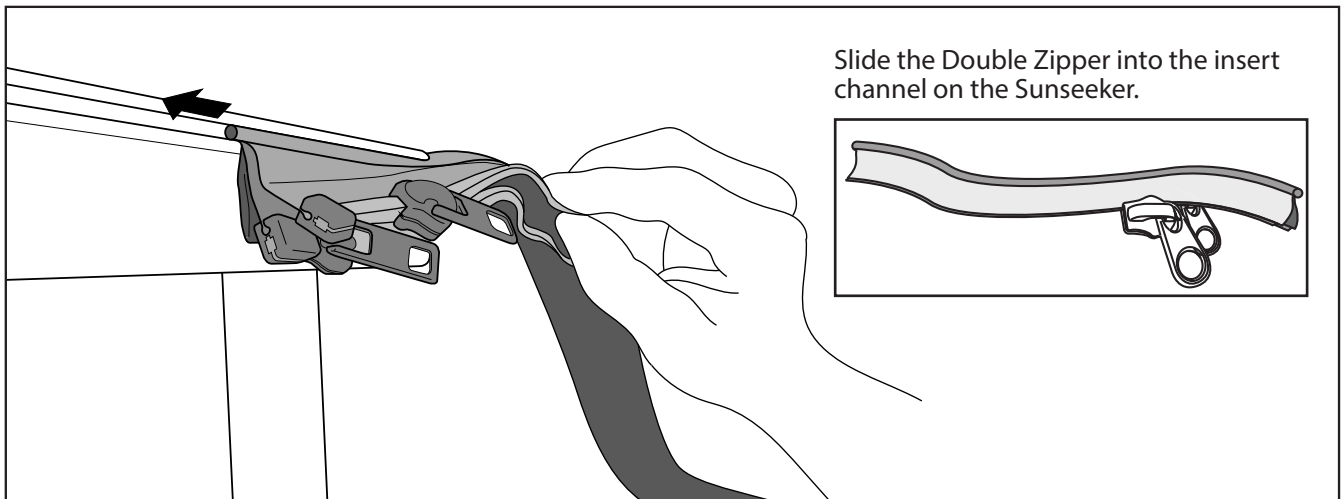
The Sunseeker Fly Extension is intended for use with the Tag-A-Long Tent and Sunseeker 2.5m Awning. However it is possible to use the extension without the Tag-A-Long Tent.

**\*32116 sold separately.**

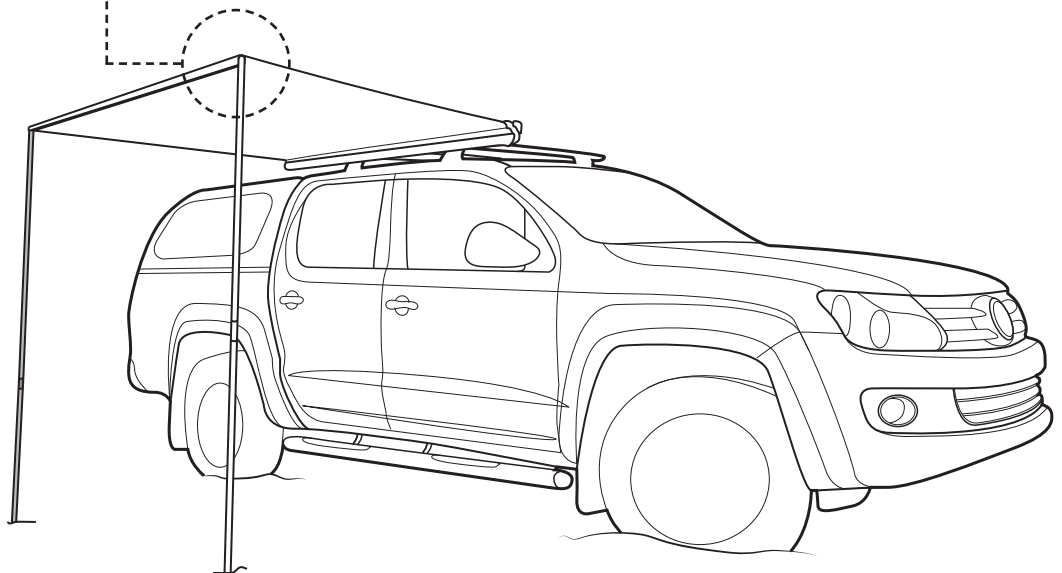


## Instructions

- 1 Install the Double Zipper insert into the Sunseeker Awning as shown. 32116 sold separately.



Slide the Double Zipper into the insert channel on the Sunseeker.



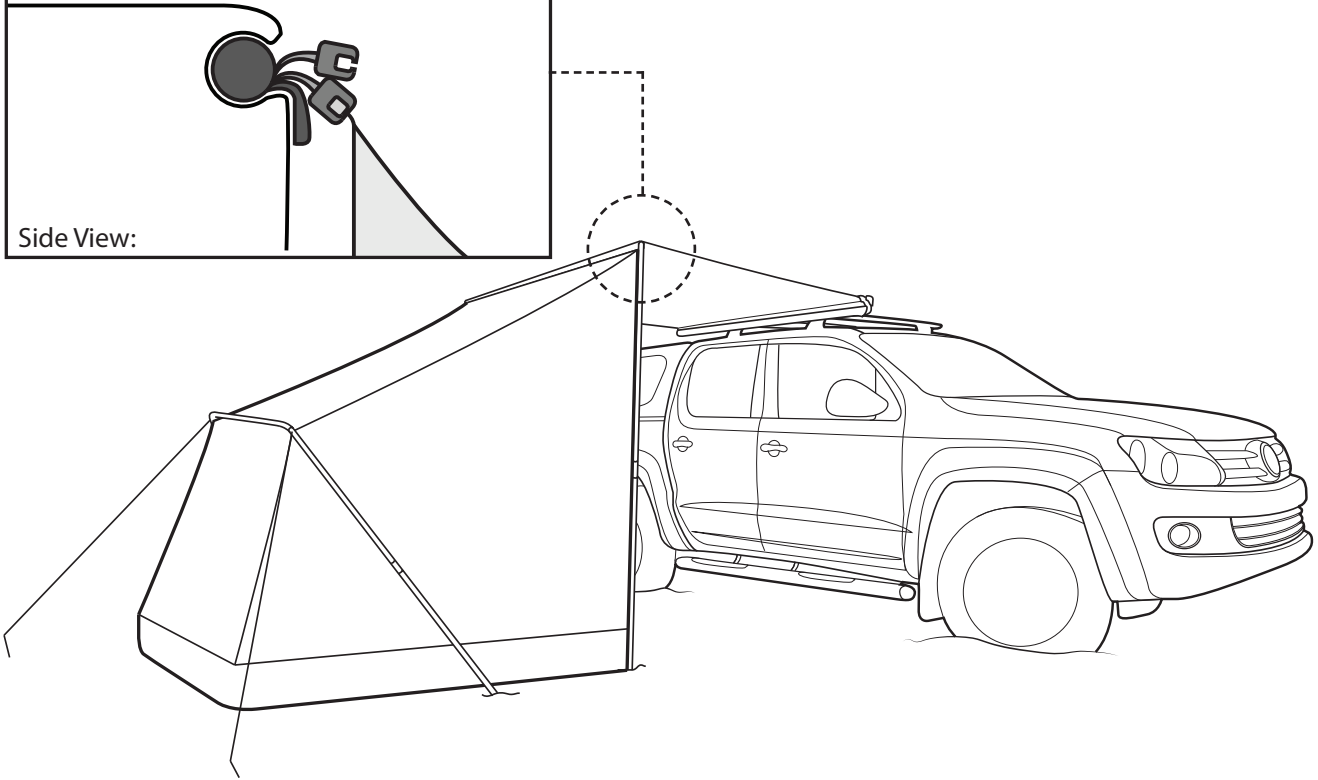


## Sunseeker Fly Extension 32117

- 2** Attach the Tag-A-Long Tent to the Sunseeker using the Dual Zipper Insert.

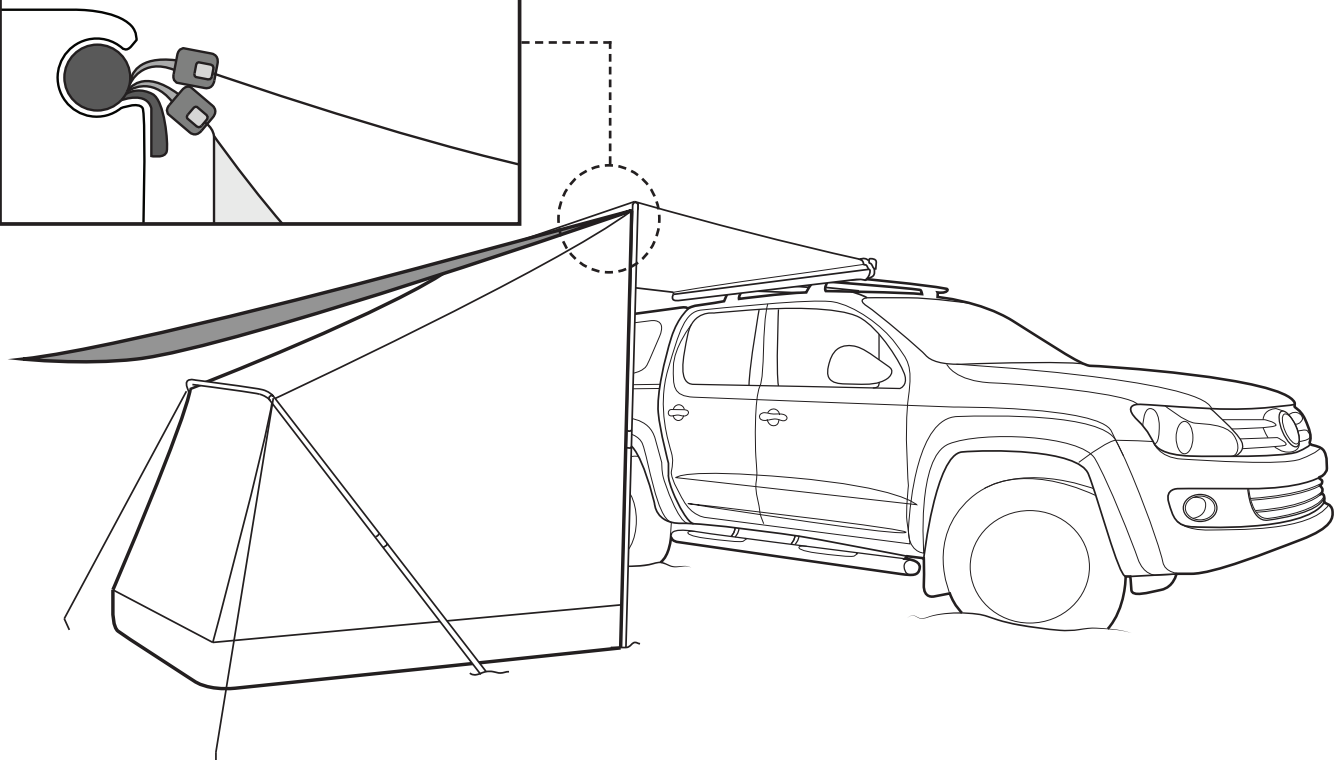
Attach the Tag-A-Long to the **bottom** Zipper on the Dual Zipper Insert.

Side View:



- 4** Attach the Fly Extension to the Sunseeker using the Dual Zipper Insert. If your vehicle is high it may be easier to install the fly extension first then fold it back over the top of the Sunseeker while you install the Tag-A-Long Tent.

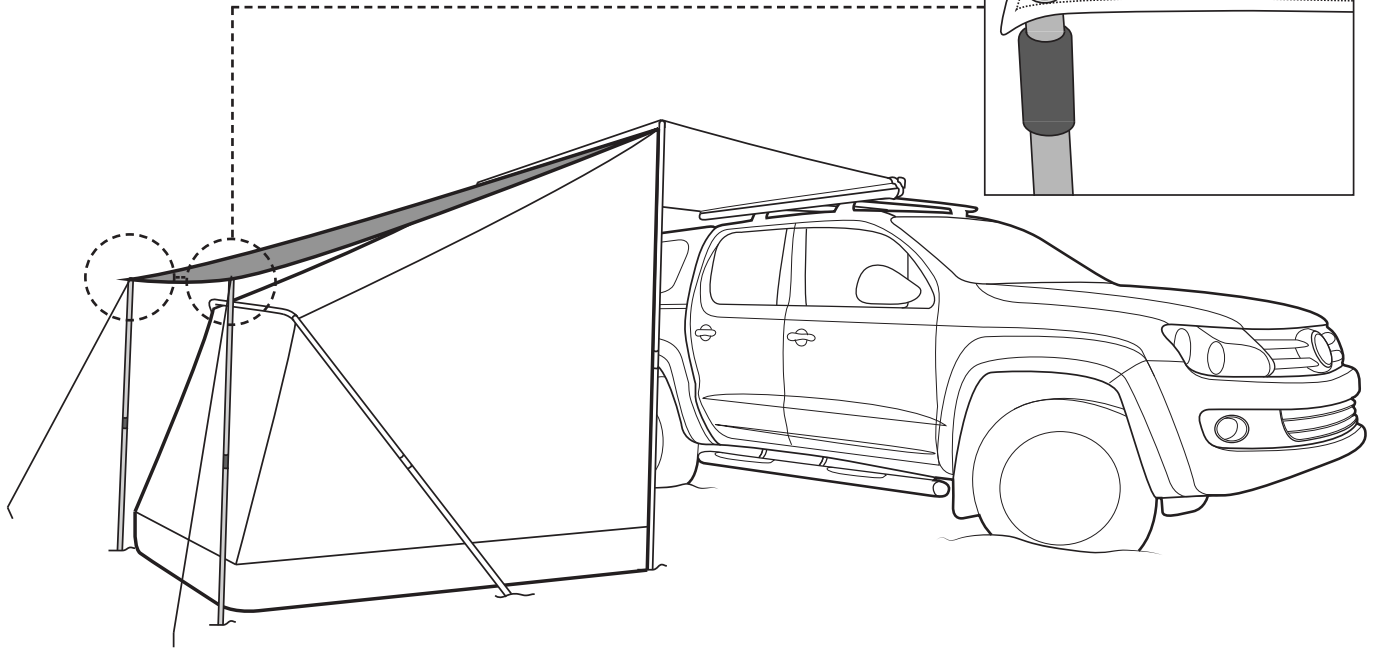
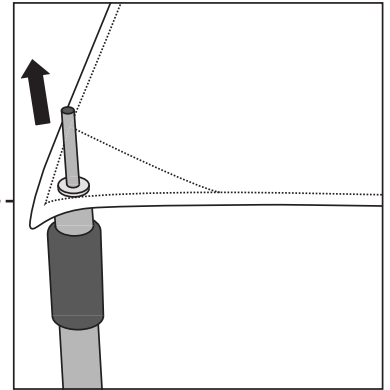
Attach the Sunseeker Fly Extension to the **top** Zipper on the Dual Zipper Insert.





## Sunseeker Fly Extension 32117

- 5** Install telescopic pole supports through eyelets on the Sunseeker Fly Extension. Once poles are in place, secure with guy ropes and metal pegs provided in kit. Set the height so it has adequate clearance between the extension and tent. This will add in keeping the tent cool under the hot sun and dry in wet conditions.



- 6** Note: Sunseeker Fly Extension can be used on its own. Dual Zipper will not be required in this state.

