

# RHINO-RACK

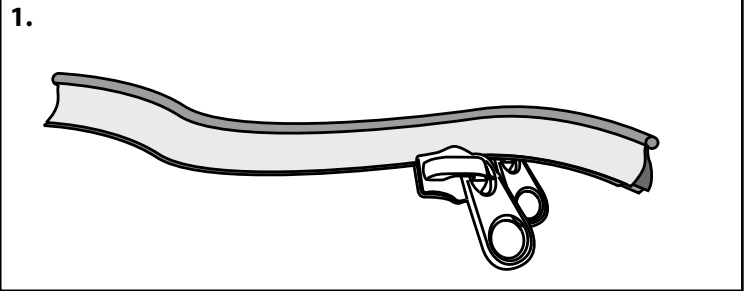
## Rhino Double Zipper for Tag a Long Tent and Tent Fly Extension (32116)

**Important:** Please read these instructions carefully prior to installation.  
 Check the contents of kit before commencing fitment and report any discrepancies.  
 Place these instructions in the vehicle's glove box after installation is complete.

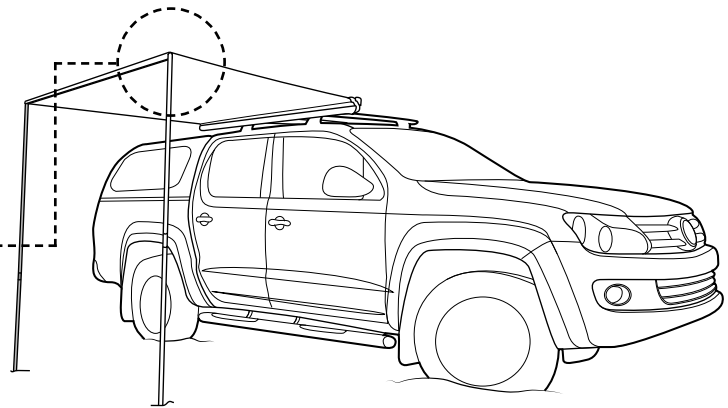
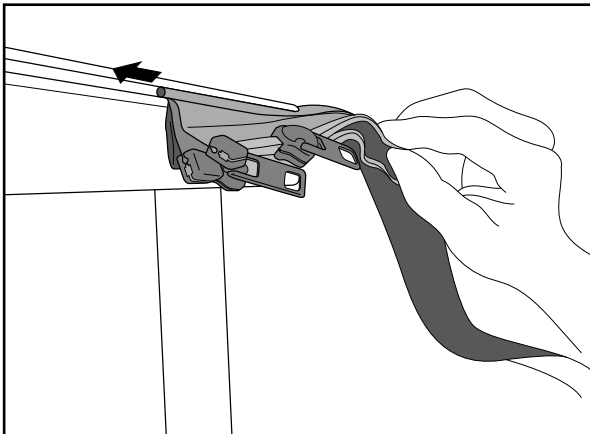
### Parts List

Item	Component Name	Qty	Part
1	Double Zipper	1	32116
2	Fitting Instruction	1	R588

**Note:**  
 32116 Double Zipper is intended for use with the Tag-A-Long Tent and the Fly Extension (32117).

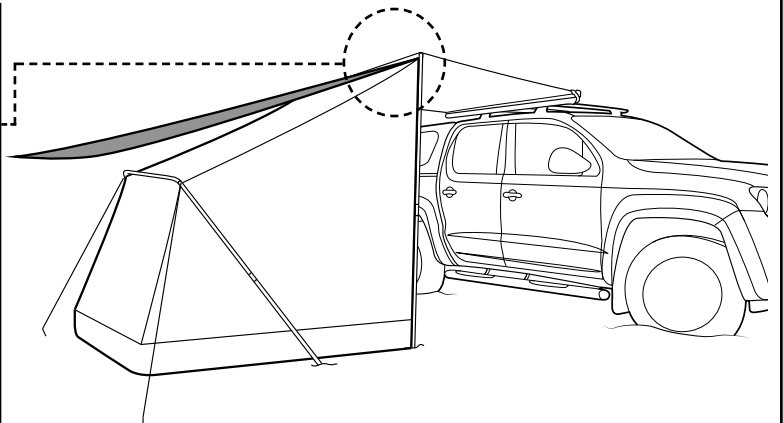
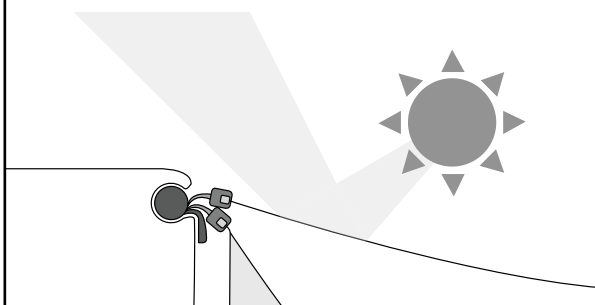


**1** Install the Double Zipper insert into the Sunseeker Awning as shown.



**2** Attach the Fly Extension first to the Sunseeker using the Dual Zipper Insert. The fold over the Sunseeker while attaching the Tag-A-Long second.

Attach the Sunseeker Fly Extension to the **top** Zipper and the Tag-A-Long Tent to the **Bottom** on the Dual Zipper Insert. Be sure Extension Fly is installed reflective side up.



**Please remove Sunseeker Awning and crossbars when putting vehicle through an automatic car wash.**

#### Note for Dealers and Fitters

It is your responsibility to ensure that this fitting instruction is given to the end user or client.

Rhino-Rack  
 3 Pike Street, Rydalmere,  
 NSW 2116, Australia.  
 (Ph) (02) 9638 4744  
 (Fax) (02) 9638 4822

Document No: R588  
 Prepared By: Kayle Everett  
 Authorised By: Chris Murty

Issue No: 01  
 Issue Date: 21/11/2014

These instructions remain the property of Rhino-Rack Australia Pty Ltd and may not be used or changed for any other purpose than intended.