



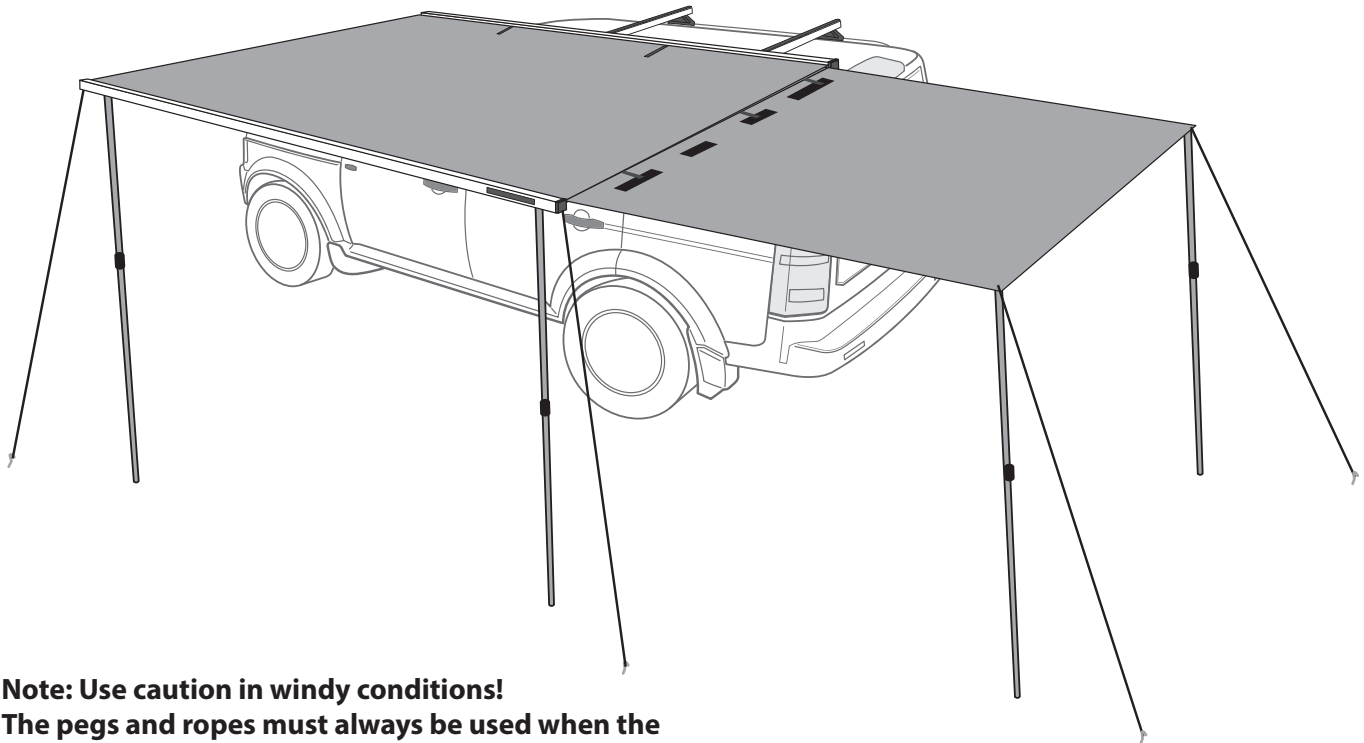
**CONTROLLED**

# RHINO-RACK

## Rhino-Rack Sunseeker Awning Side Wall Extension (32112)

**Important:** Please read these instructions carefully prior to installation. Please refer to your fitting instruction to ensure that the roof racks are installed in the correct locations. Check the contents of kit before commencing fitment and report any discrepancies. Place these instructions in the vehicle's glove box after installation is complete.

### Layout



**Note: Use caution in windy conditions!**  
**The pegs and ropes must always be used when the SUNSEEKER 2 or 3 awning and the Side Wall extension are open.**

This side wall extension fits both 2.0m and 2.5m Sunseeker Awnings

### Important Information

#### Recommendations

It is essential that all bolt connections be checked after driving a short distance when you first install your Rhino-Rack SUNSEEKER 2 or 3 Awning. Bolt connections should be checked again at regular intervals (probably once a week is enough, depending on road conditions, usage, loads and distances travelled). You should also check the roof bars and Side Wall extension each time they are refitted.

#### Use only non-stretch fastening ropes or straps.

**Please remove SUNSEEKER Awning, Side Wall Extension and crossbars when putting vehicle through an automatic car wash.**

#### Load Ratings

With the addition of the SUNSEEKER Awning, the load capacity of your crossbars will have to be adjusted accordingly. The SUNSEEKER Awning and 2 crossbars weigh approximately 15kg.

#### Note for Dealers and Fitters

It is your responsibility to ensure this fitting instruction is given to the end user or client

#### Note for Dealers and Fitters:

It is your responsibility to ensure these fitting instructions are given to the end user or client

Rhino-Rack, 22 Hanson Pl, Eastern Creek  
NSW 2766, Australia  
(02) 8846 1900  
rhinorack.com.au

Document No: R238  
Prepared By: K.Everett  
Authorised By: N.Clarke

Issue No: 04  
Issue Date: 07/03/2019

These instructions remain the property of Rhino-Rack Australia Pty. Ltd. and may not be used or changed for any other purpose than intended.



## Rhino-Rack Sunseeker Awning Side Wall Extension (32112)

### Parts List

Item	Component	Qty	Part No.
1	SUNSEEKER Side Wall Extension	1	32112
2	Poles	2	SP265
3	Guy Rope	2	C910
4	Metal Peg	3	C909
5	Fitting Instruction	1	R238

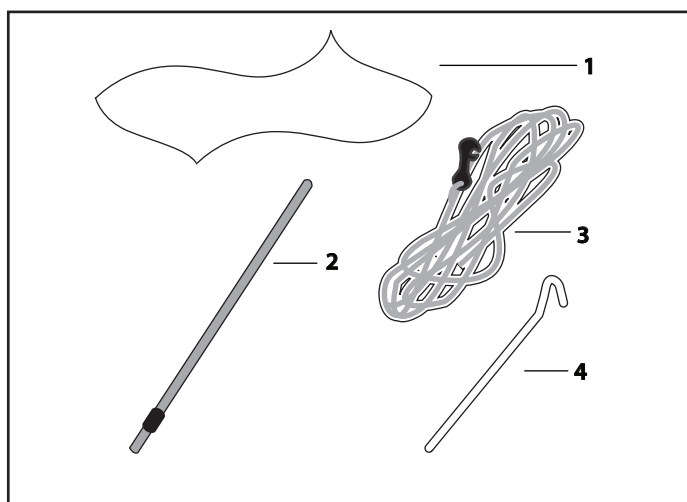
#### Tools Required:

Mallet.

#### Care Instruction:

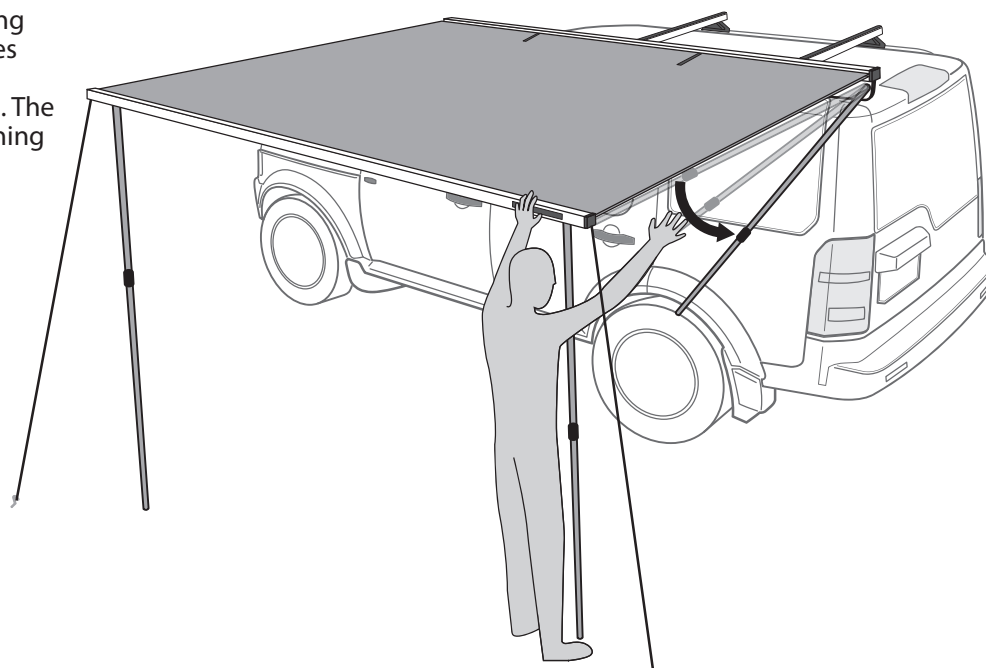
Wash and clean vehicle roof racks prior to fitment

**NOTE: AWNING SIDE WALL EXTENSION FITS BOTH SUNSEEKER 2 or 3, 2.5m AND 2.0m AWNINGS**

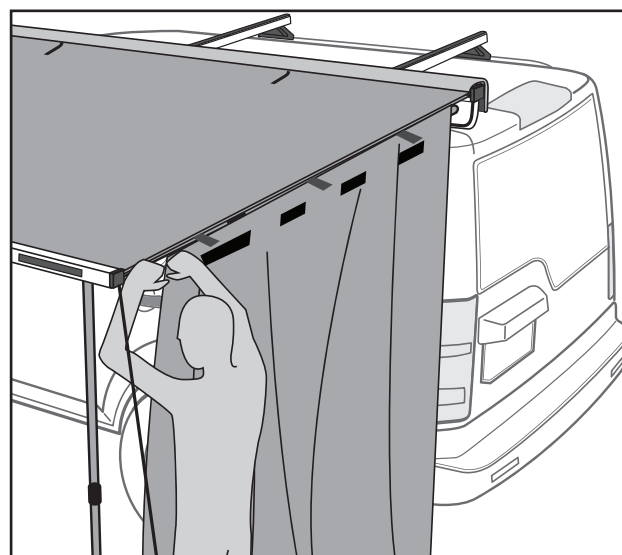
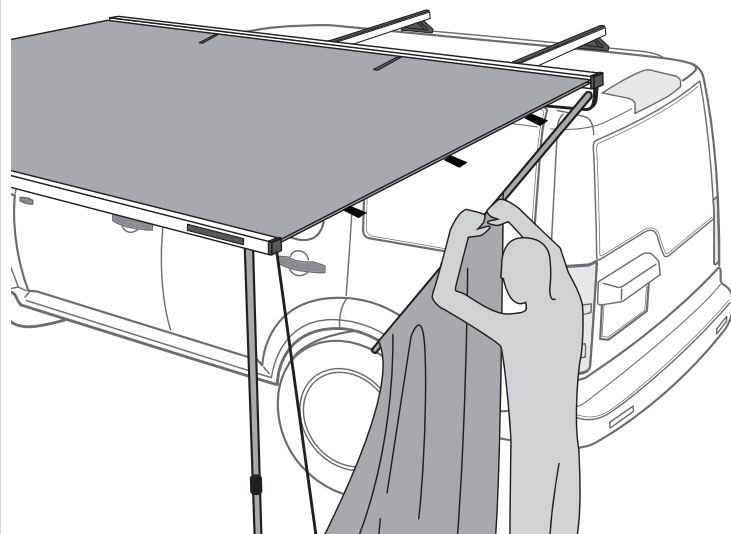


### Fitting Instructions

- 1 Undo the velcro tabs holding the horizontal support poles in place. Position the poles outwards slightly as shown. The guy ropes will hold the awning in place.



- 2 Slide the awning into the pole as shown. Make sure the part with the velcro strips are facing out. Fix the horizontal supports back in place.





## Rhino-Rack Sunseeker Awning Side Wall Extension (32112)

- 3** Attach velcro tabs from awning to side wall extension as shown.



### Side Wall Extension setup options

