



RHINO-RACK®

Batwing Universal Tapered Zip Extension with Door

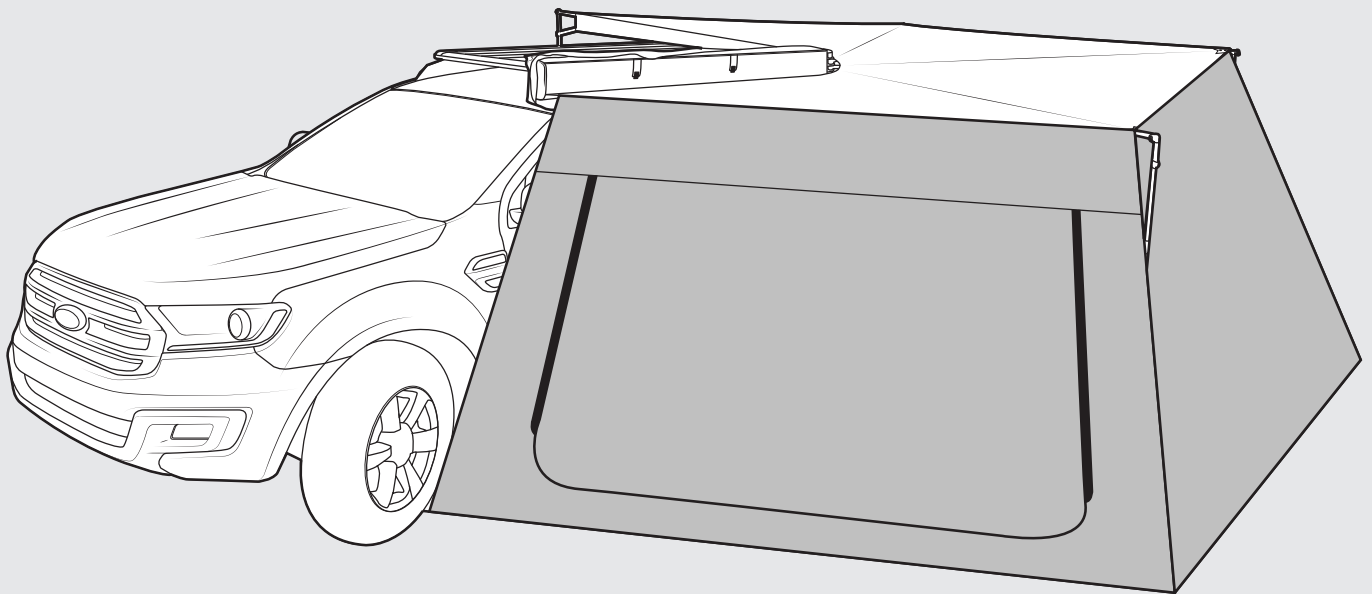
31132 - 31133

Important:

1. Check the Rhino-Rack website to ensure you have the latest issue of these instructions.
2. Please refer to your fitting instruction to ensure that the roof racks are installed in the correct locations.
3. Check the contents of kit before commencing fitment and report any discrepancies.
4. Place these instructions in the vehicle's glove box after installation is complete.
5. These instructions must be followed for warranty to be upheld.

Fit Time: 10 mins

Fits Batwing Awning (LH,RH) and Batwing Compact Awning (LH,RH)



Thank you for choosing Rhino-Rack!



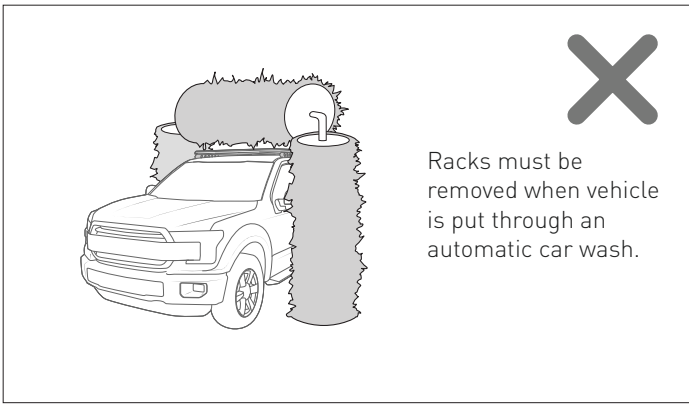
WELCOME TO THE HERD.

For peace of mind register your product by heading to rhinorack.com/register

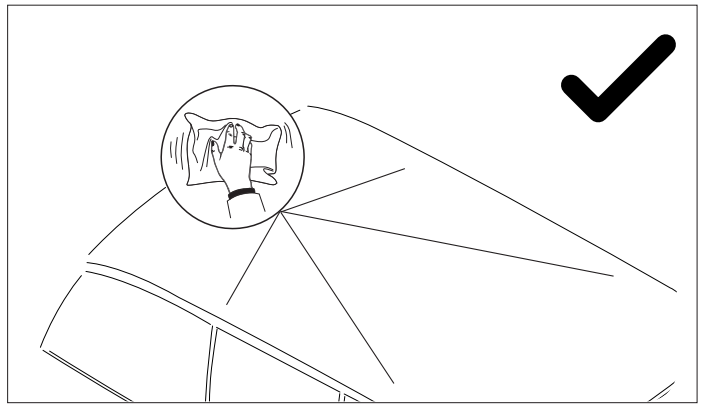
Rhino-Rack AUSTRALIA
22A Hanson Place,
Eastern Creek, NSW 2766

Rhino-Rack USA
19822 E. 22nd Avenue,
Unit B, Aurora, CO 80011

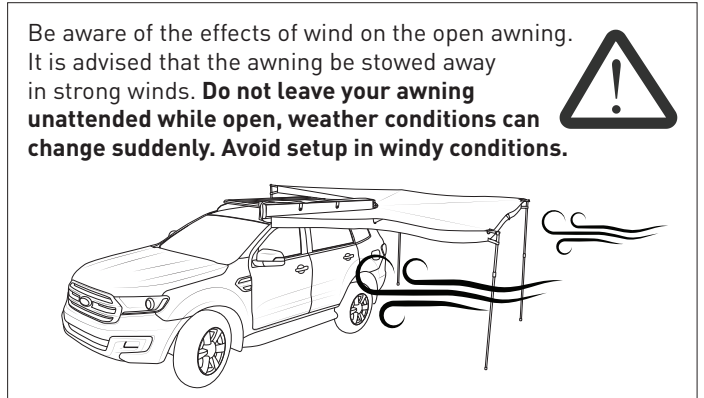
RHINORACK.COM
Document No:520-RFI-00249
Issue No: 02
Issue Date: 04/06/2025



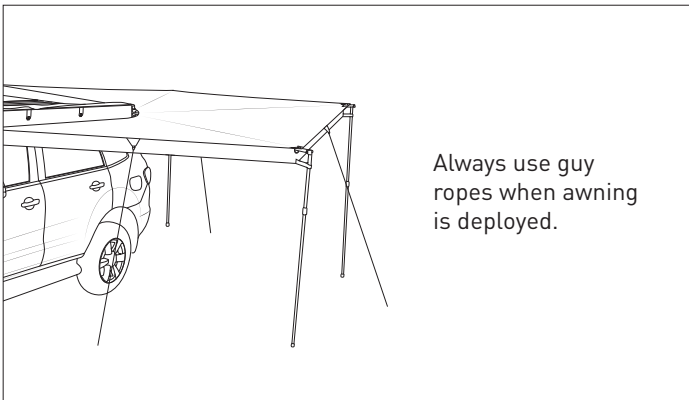
Racks must be removed when vehicle is put through an automatic car wash.



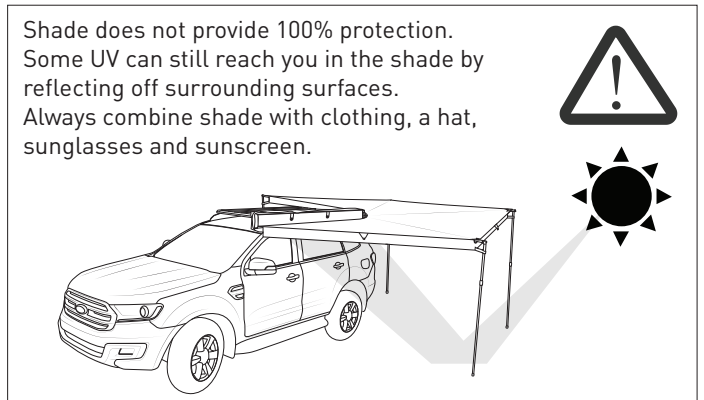
If awning is wet, dry before you stow.



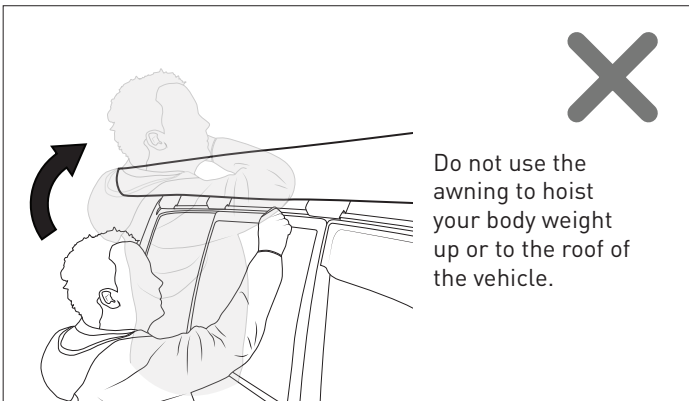
Be aware of the effects of wind on the open awning. It is advised that the awning be stowed away in strong winds. **Do not leave your awning unattended while open, weather conditions can change suddenly. Avoid setup in windy conditions.**



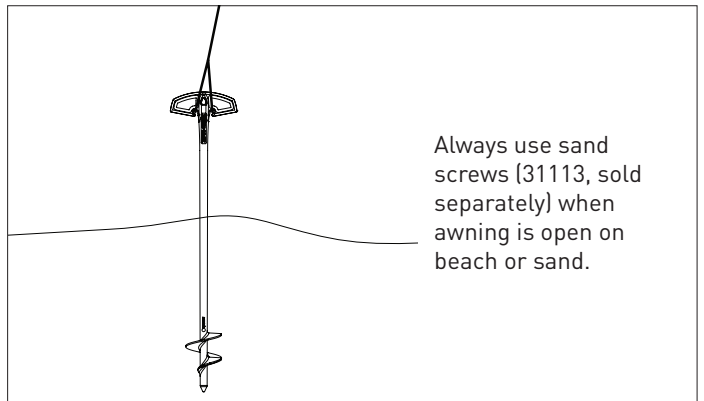
Always use guy ropes when awning is deployed.



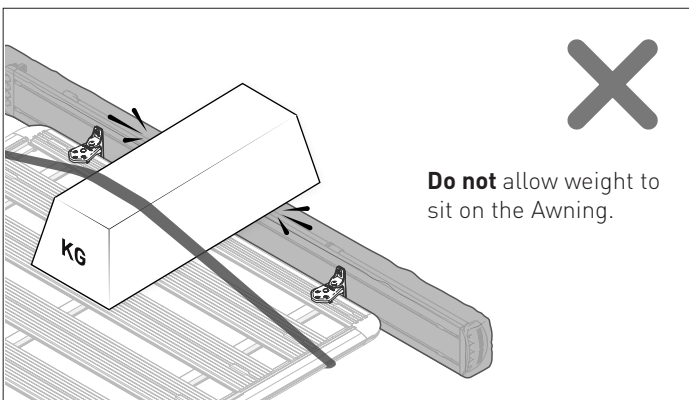
Shade does not provide 100% protection. Some UV can still reach you in the shade by reflecting off surrounding surfaces. Always combine shade with clothing, a hat, sunglasses and sunscreen.



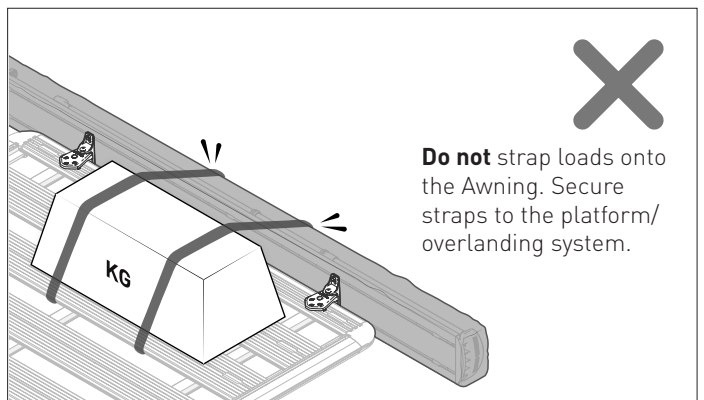
Do not use the awning to hoist your body weight up or to the roof of the vehicle.



Always use sand screws (31113, sold separately) when awning is open on beach or sand.

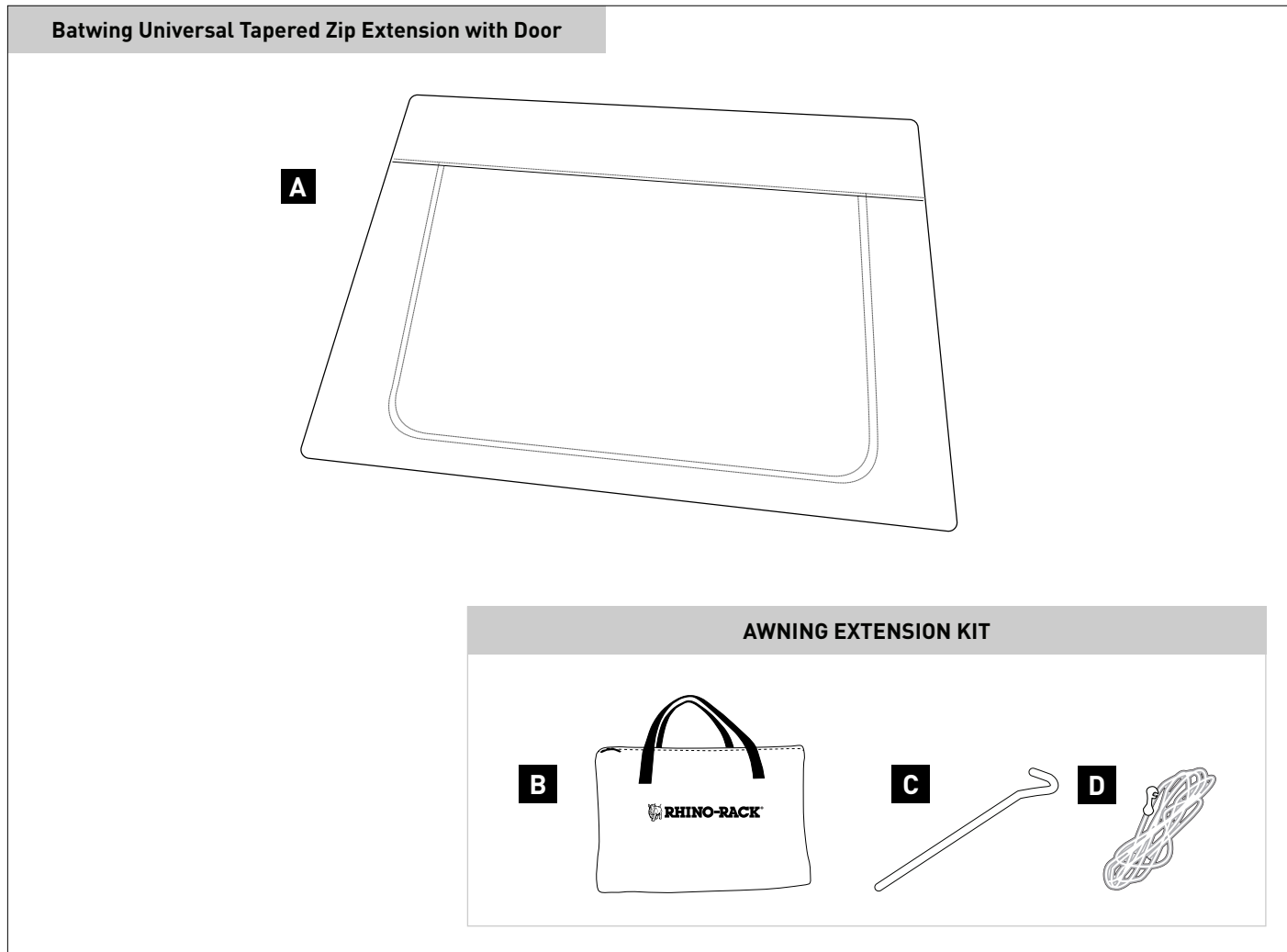


Do not allow weight to sit on the Awning.



Do not strap loads onto the Awning. Secure straps to the platform/overlanding system.

Parts List



Item	AWNING EXTENSION KIT	Qty
A	Batwing Universal Tapered Extension	1
B	Storage Bag	1
C	Metal Pegs	6
D	Guy Rope (Pair)	1
E	Instructions	1

TOOLS REQUIRED:

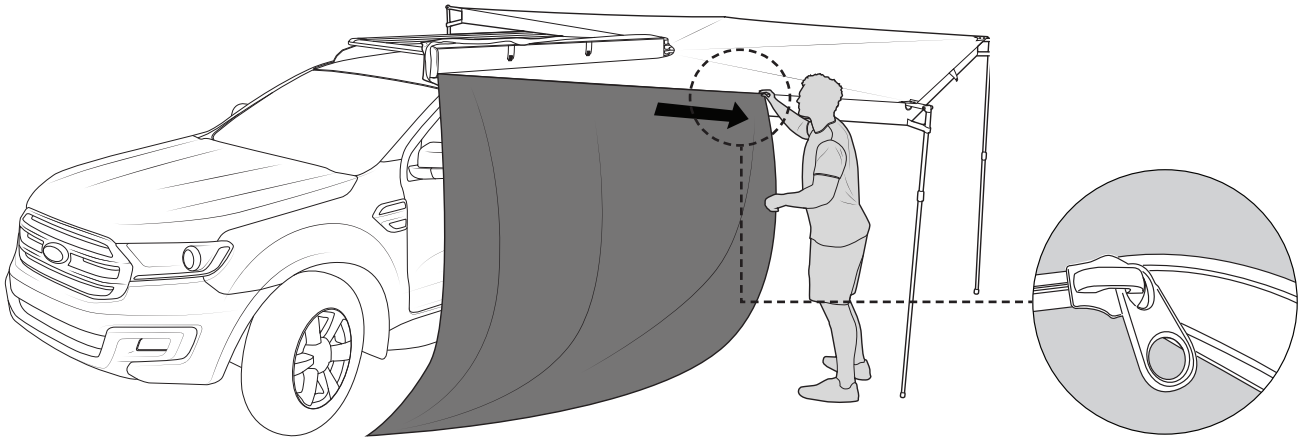
T1 -Rubber Mallet

NOTE: For the purpose of this instruction, images depict LH Batwing Awning. The quantities and steps remain the same for the RH Batwing Awning and Batwing Compact Awning (LH, RH).

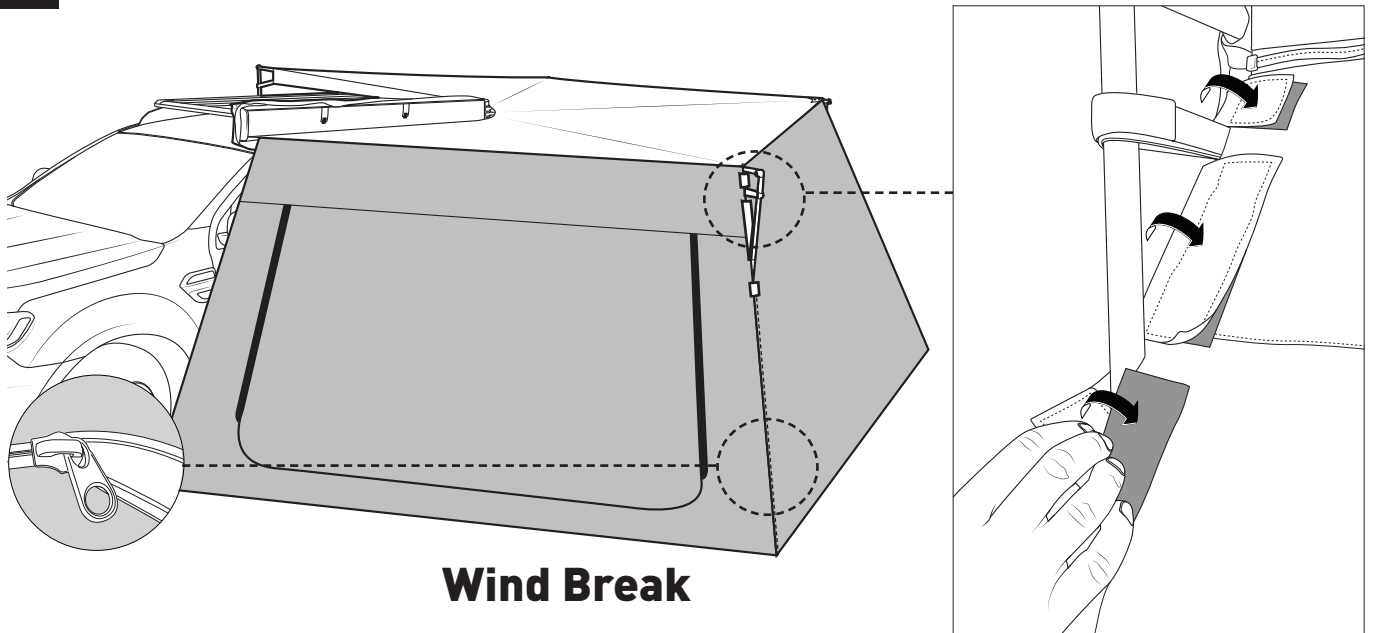
Note for Dealers and Fitters

It is your responsibility to ensure this fitting instruction is given to the end user or client. It is your responsibility to ensure these fitting instructions are given to the end user or client. These instructions remain the property of Rhino-Rack Australia Pty. Ltd. and may not be used or changed for any other purpose than intended.

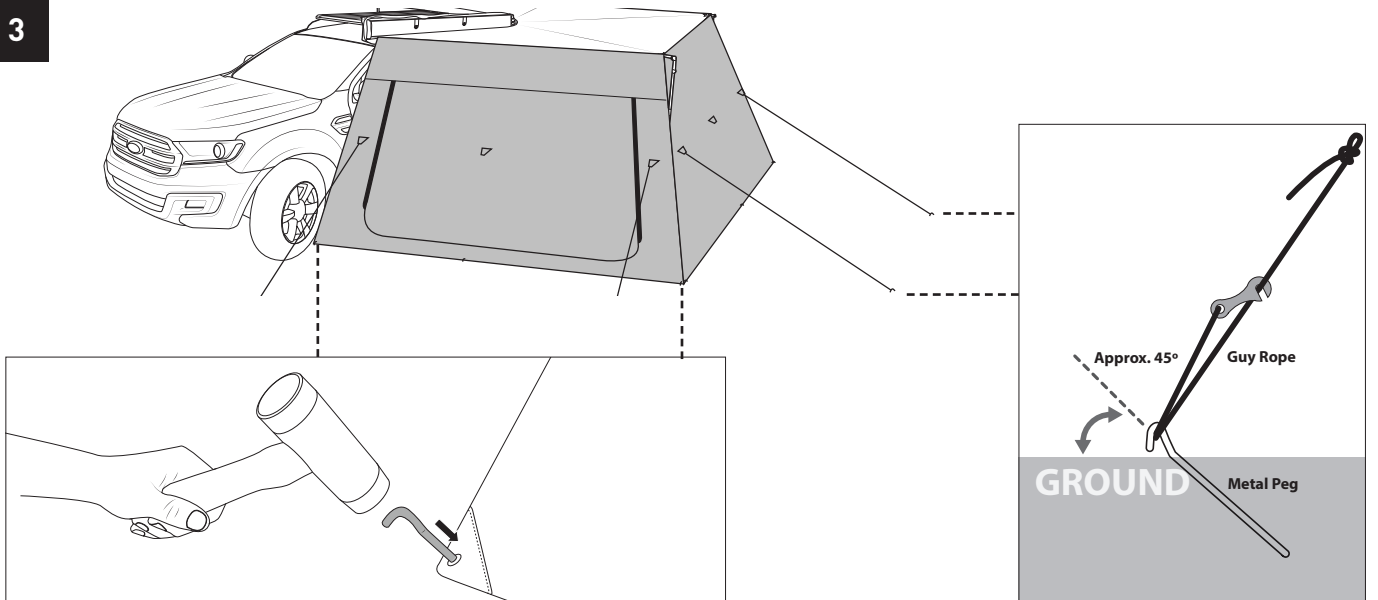
1



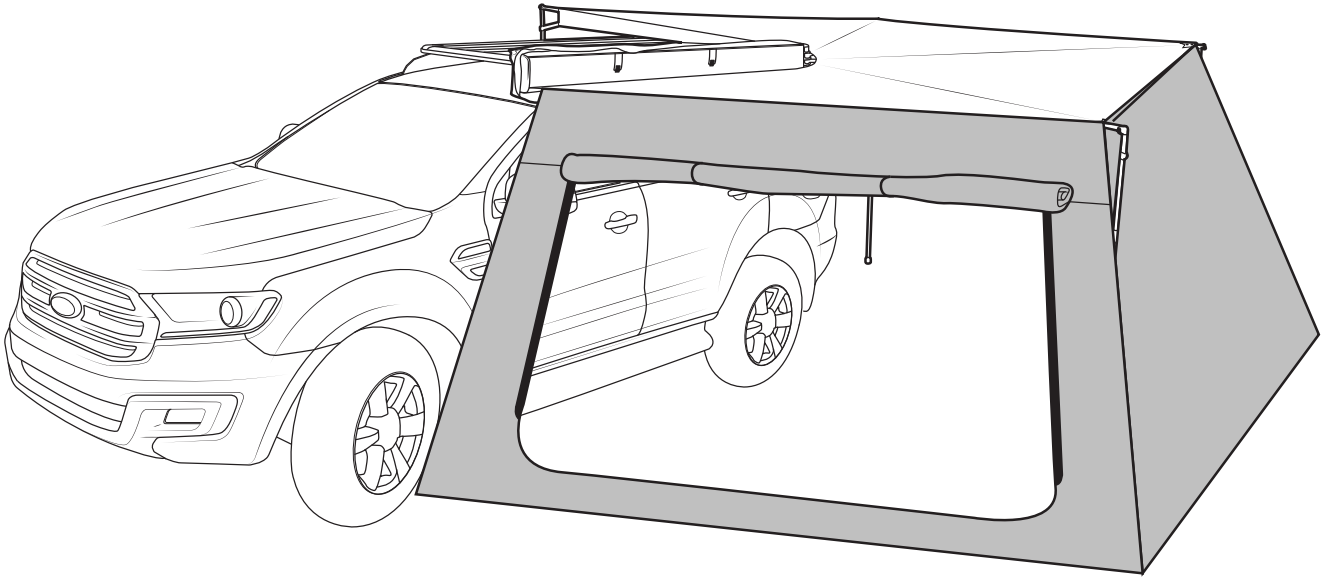
2



3



4



Set up Complete.



NOTES

NOTES



RHINO-RACK®

MAKE SPACE FOR ADVENTURE

RHINORACK.COM

Rhino-Rack AUSTRALIA

22A Hanson Pl,
Eastern Creek, NSW, 2766

Rhino-Rack USA

19822 E 22nd Ave,
Aurora, CO, 80011