



# RHINO-RACK®

## Sunseeker Universal Extension 2M

31130

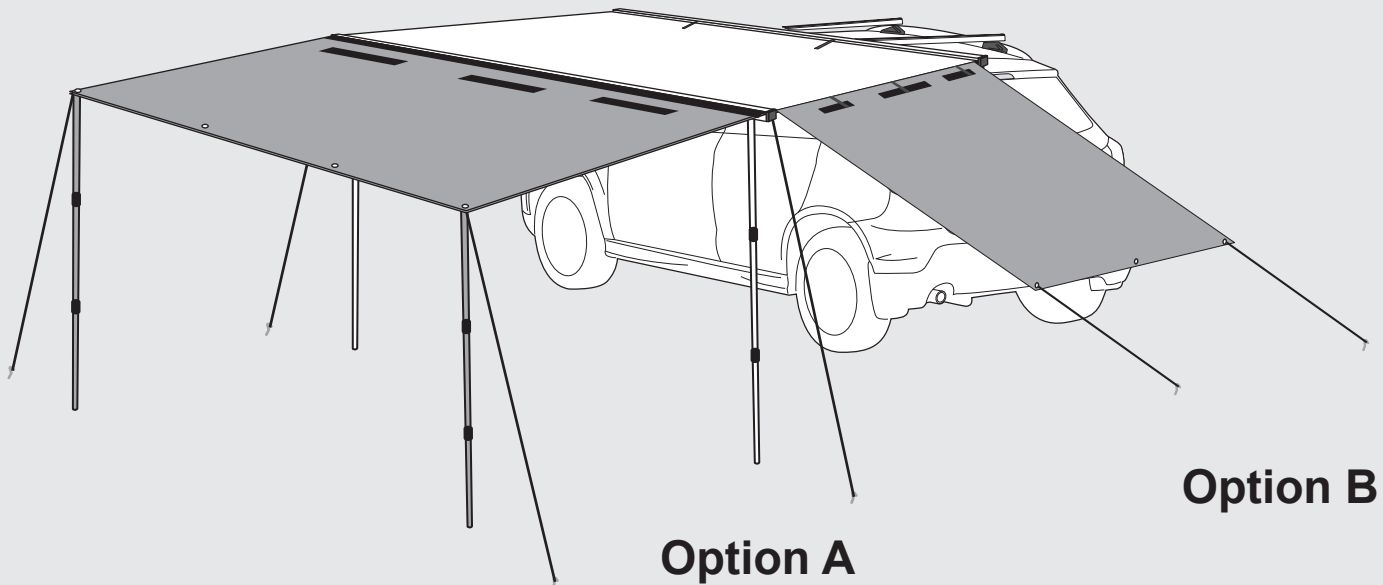
### Important:

1. Check the Rhino-Rack website to ensure you have the latest issue of these instructions.
2. Please refer to your fitting instruction to ensure that the roof racks are installed in the correct locations.
3. Check the contents of kit before commencing fitment and report any discrepancies.
4. Place these instructions in the vehicle's glove box after installation is complete.
5. These instructions must be followed for warranty to be upheld.

**Fit Time:** 3 - 5 mins

**Fits 2M Sunseeker Awning and Sunseeker Freestanding Awning**

TWO-PERSON  
INSTALLATION



**Option A**

**Option B**

**Thank you for choosing Rhino-Rack!**



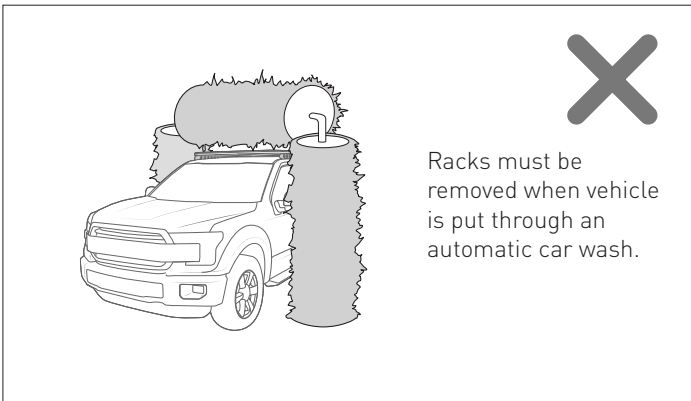
**WELCOME TO THE HERD.**

For peace of mind register your product by heading to [rhinorack.com/register](https://rhinorack.com/register)

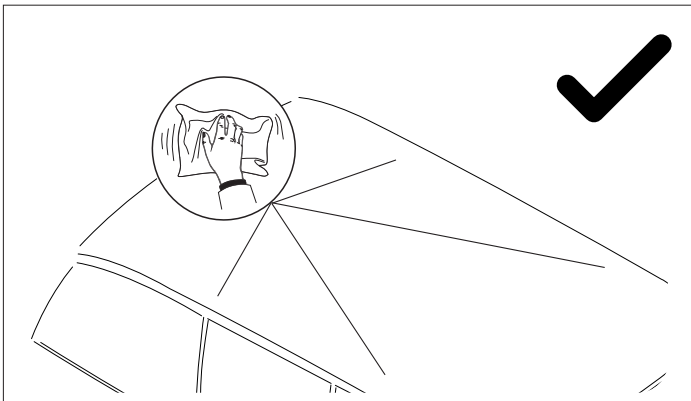
**Rhino-Rack AUSTRALIA**  
22A Hanson Place,  
Eastern Creek, NSW 2766

**Rhino-Rack USA**  
19822 E. 22nd Avenue,  
Unit B, Aurora, CO 80011

**RHINORACK.COM**  
Document No:520-RFI-00241  
Issue No: 01  
Issue Date: 22/05/2025

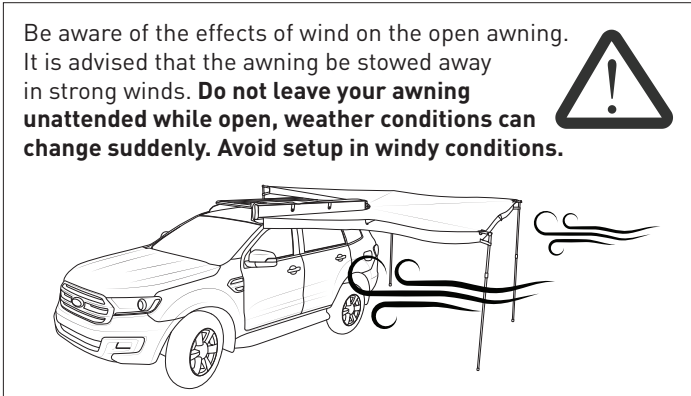
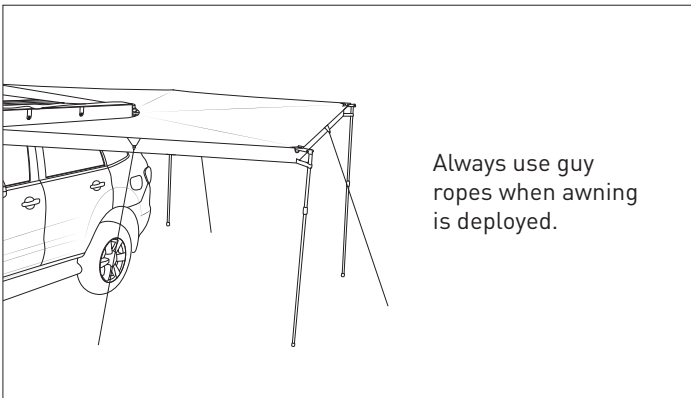


Racks must be removed when vehicle is put through an automatic car wash.



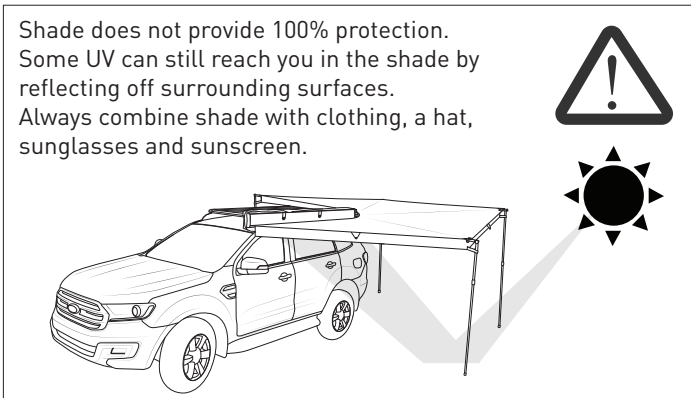
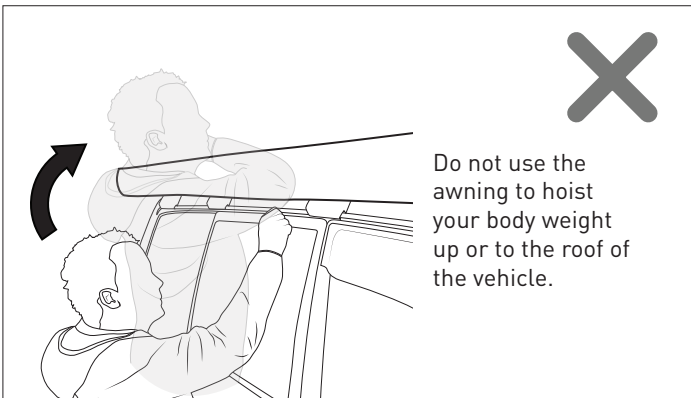

If awning is wet, dry before you stow.

Be aware of the effects of wind on the open awning. It is advised that the awning be stowed away in strong winds. **Do not leave your awning unattended while open, weather conditions can change suddenly. Avoid setup in windy conditions.**

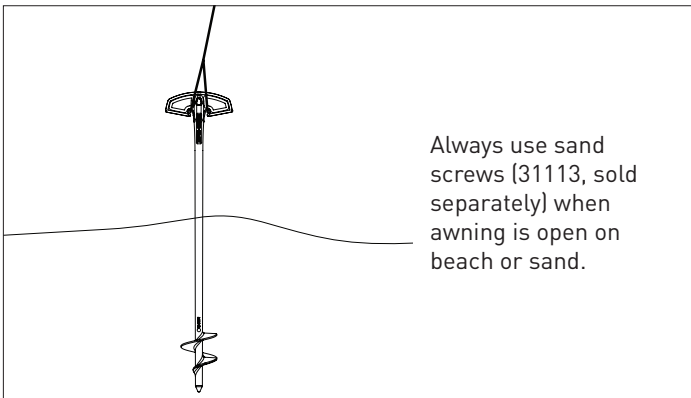



Always use guy ropes when awning is deployed.

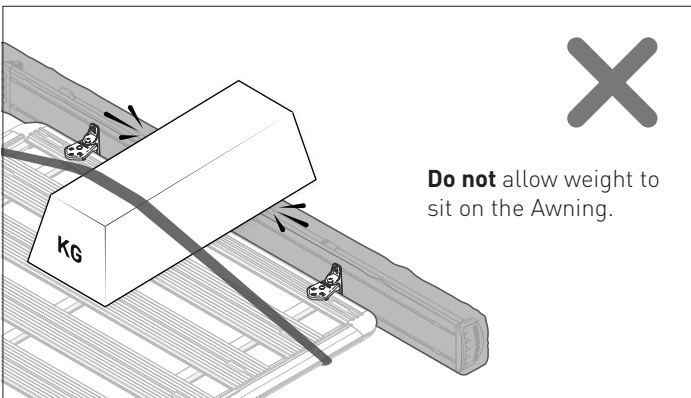
Shade does not provide 100% protection. Some UV can still reach you in the shade by reflecting off surrounding surfaces. Always combine shade with clothing, a hat, sunglasses and sunscreen.

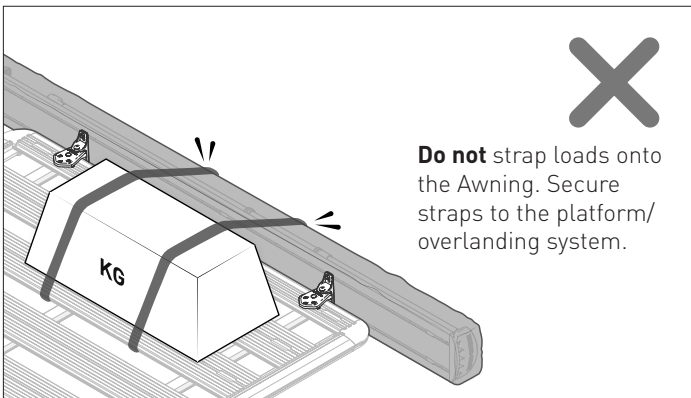
Do not use the awning to hoist your body weight up or to the roof of the vehicle.



Always use sand screws (31113, sold separately) when awning is open on beach or sand.

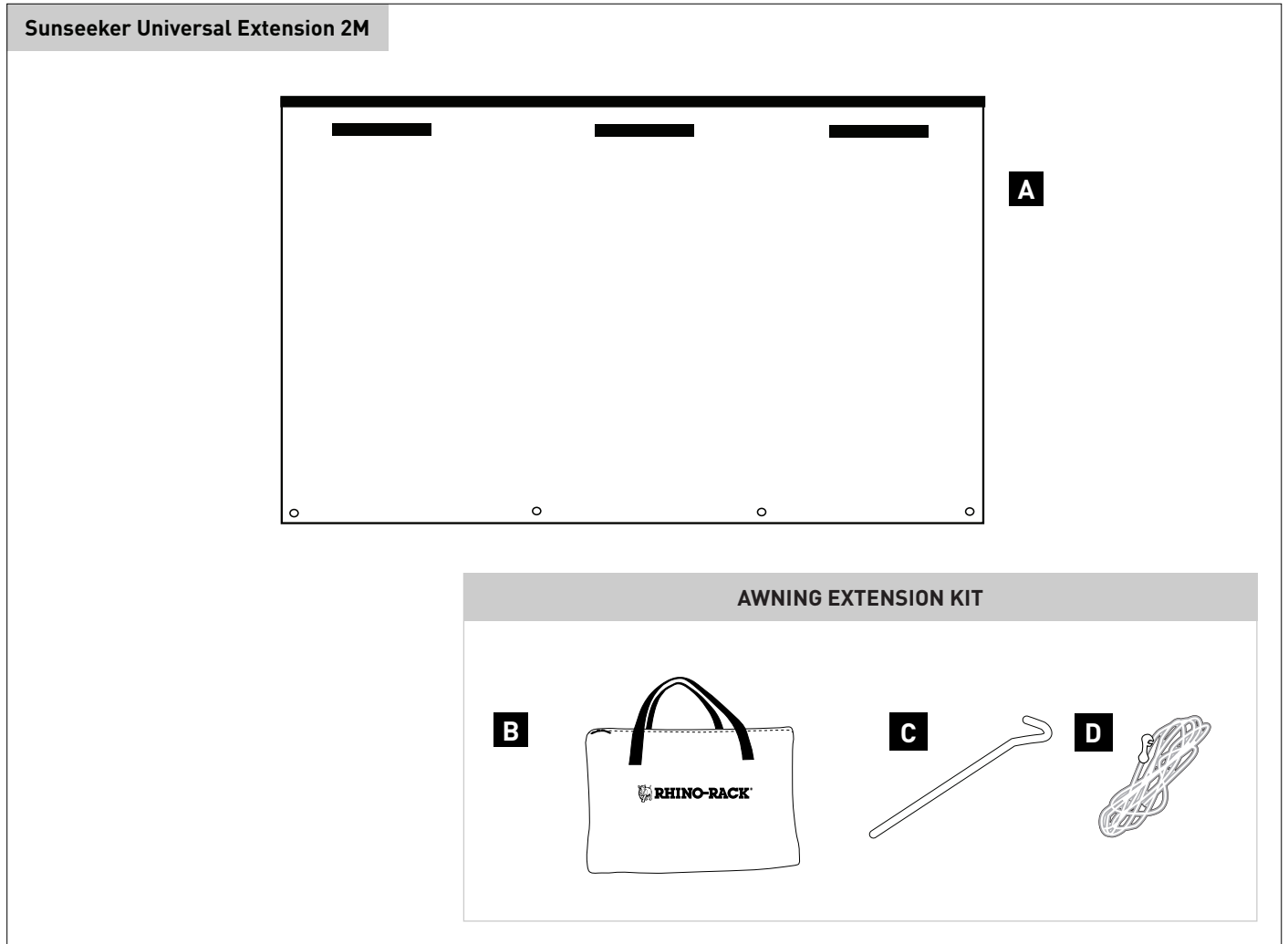


**Do not** allow weight to sit on the Awning.



**Do not** strap loads onto the Awning. Secure straps to the platform/overlanding system.

Parts List



Item	AWNING EXTENSION KIT	Qty
A	Sunseeker Universal Extension 2M	1
B	Storage Bag	1
C	Metal Pegs	2
D	Guy Rope (Pair)	2
E	Instructions	1

**TOOLS REQUIRED:**

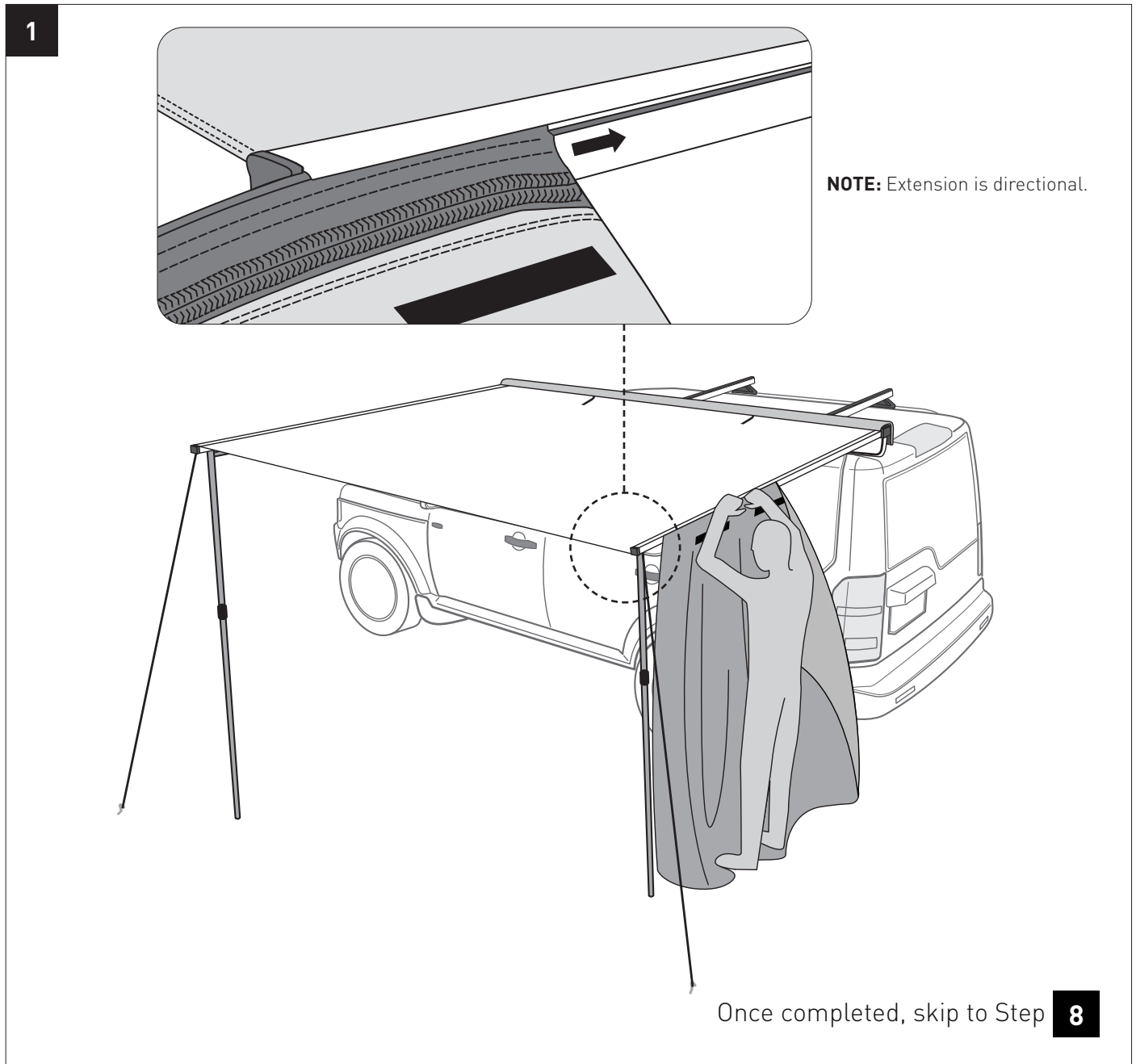
T1 -Mallet

**Note for Dealers and Fitters**

It is your responsibility to ensure this fitting instruction is given to the end user or client. It is your responsibility to ensure these fitting instructions are given to the end user or client. These instructions remain the property of Rhino-Rack Australia Pty. Ltd. and may not be used or changed for any other purpose than intended.

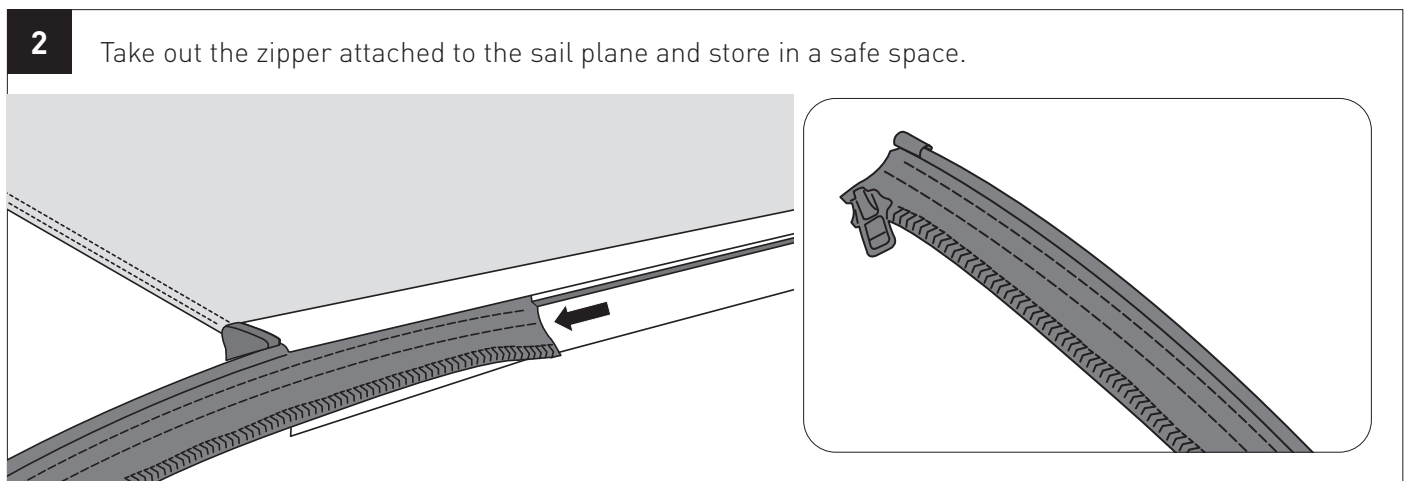
## FOR SUNSEEKER FREESTANDING EXTENSION ONLY

For Sunseeker 2m skip to Step **2** and for Sunseeker Side Wall Extension to Step **4**

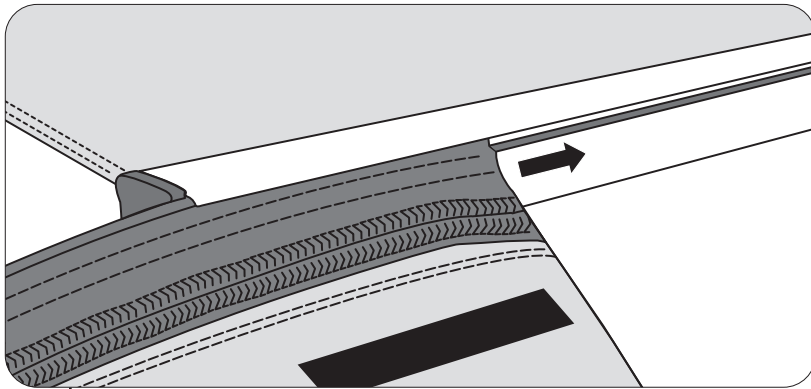


## FOR SUNSEEKER 2M EXTENSION ONLY

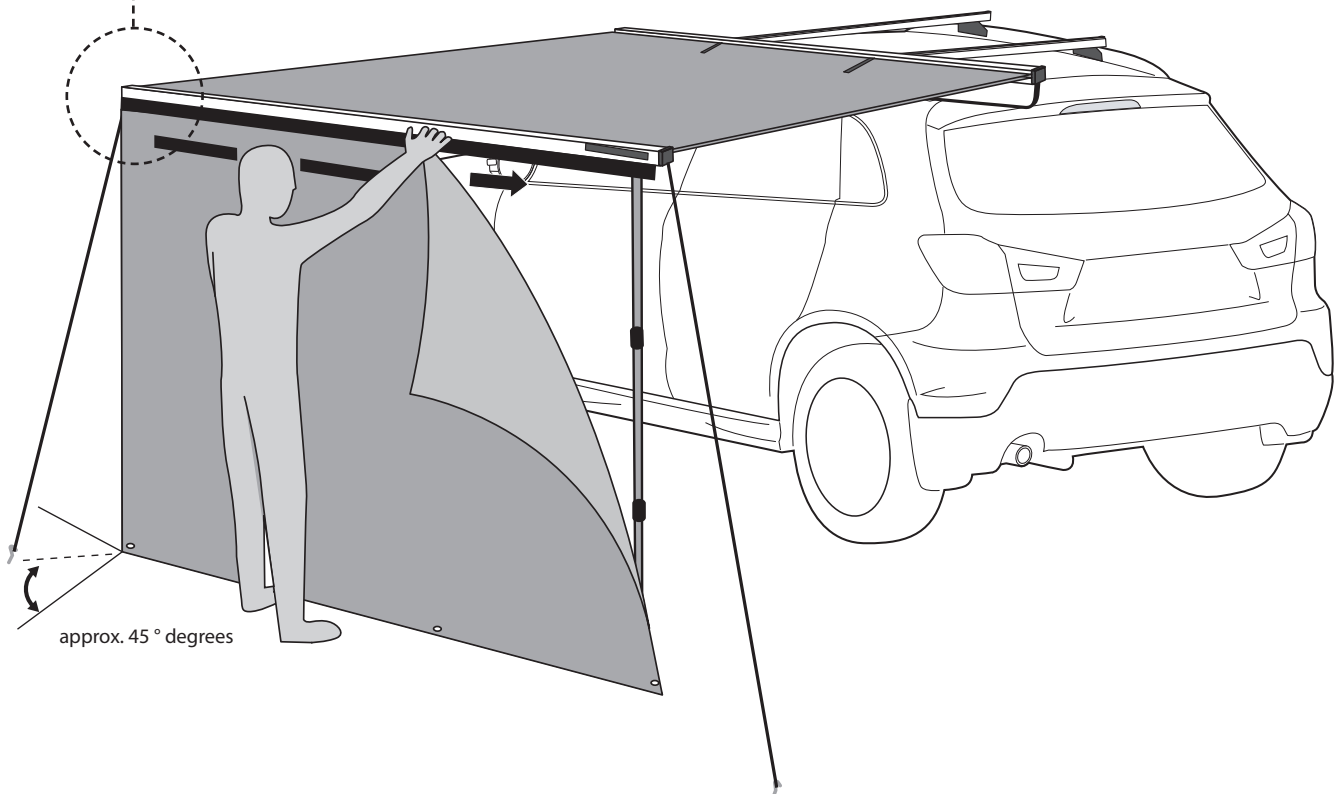
For Sunseeker Freestanding skip to Step **8** and for Side Wall Extension skip to Step **4**



3



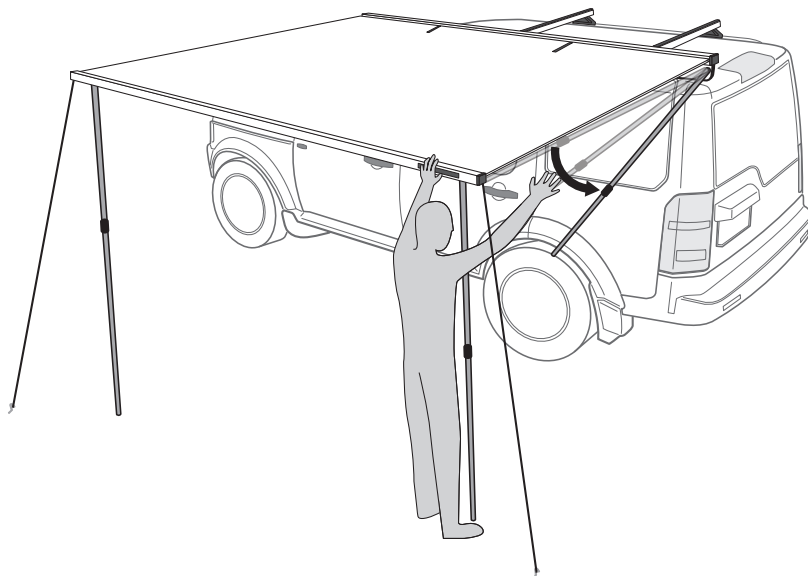
**NOTE:** Extension is directional.



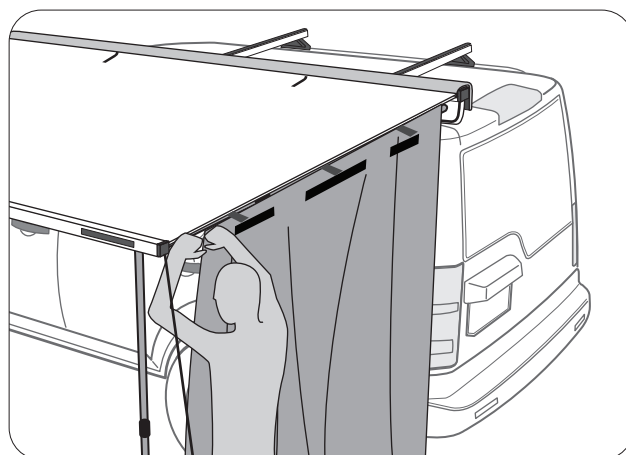
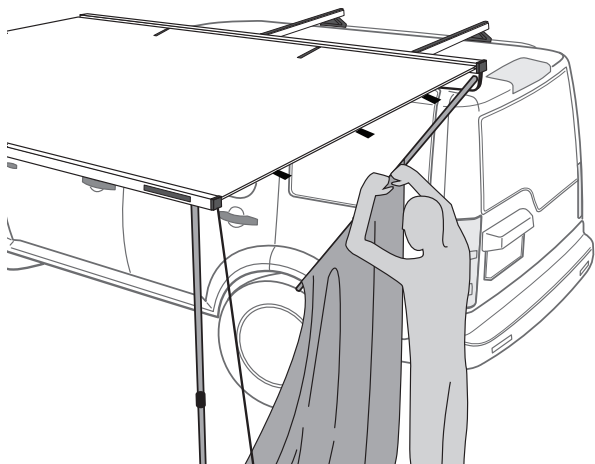
Once completed, skip to Step **7**

**FOR SUNSEEKER SIDE WALL EXTENSION ONLY**For Sunseeker 2m skip to Step **7** and for Sunseeker Freestanding Extension to Step **8**

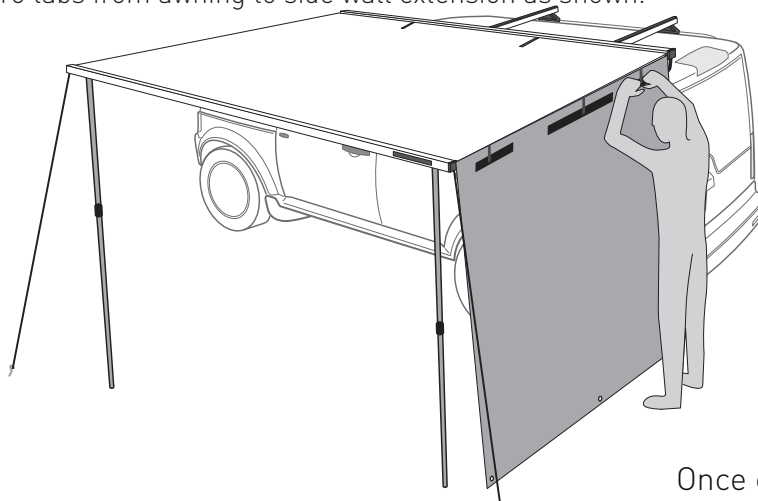
- 4** Undo the velcro tabs holding the horizontal support poles in place. Position the poles outwards slightly as shown. The guy ropes will hold the awning in place.



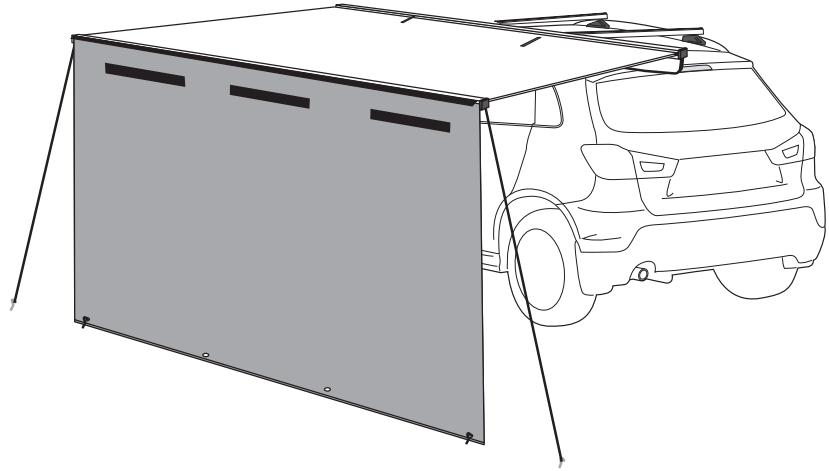
- 5** Slide the awning into the pole as shown. Make sure the part with the velcro strips are facing out. Fix the horizontal supports back in place.



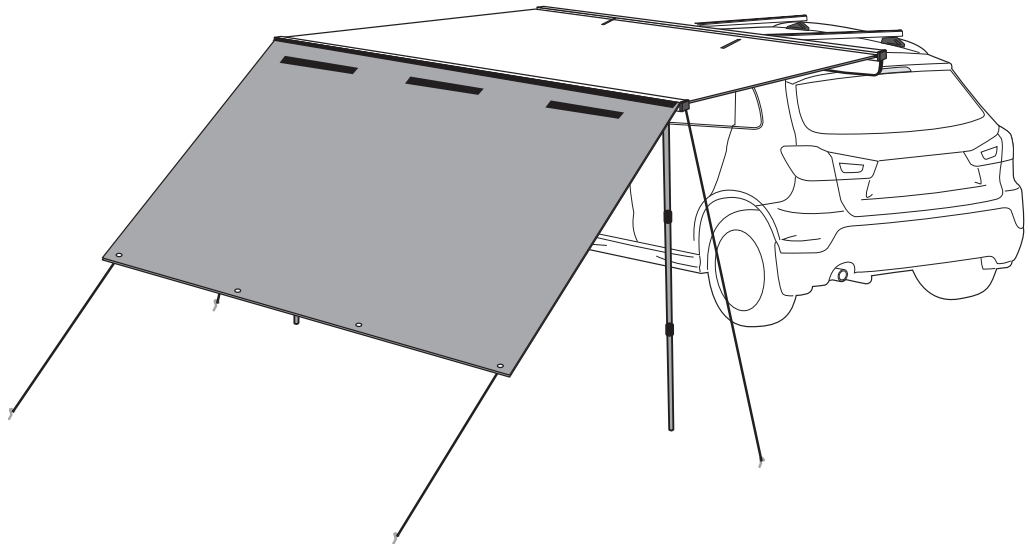
- 6** Attach velcro tabs from awning to side wall extension as shown.

Once completed, skip to Step **8**

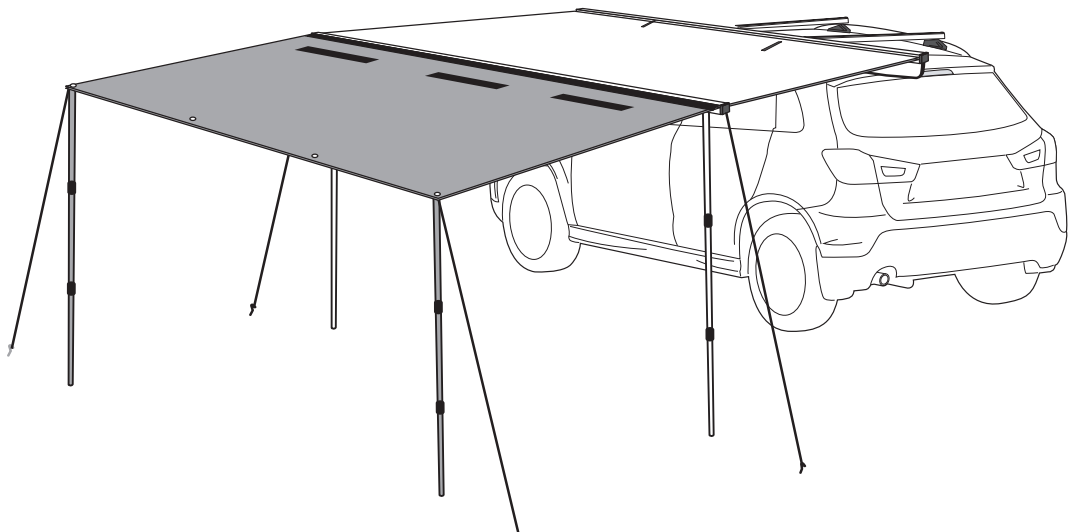
**Option A**



**Option B**

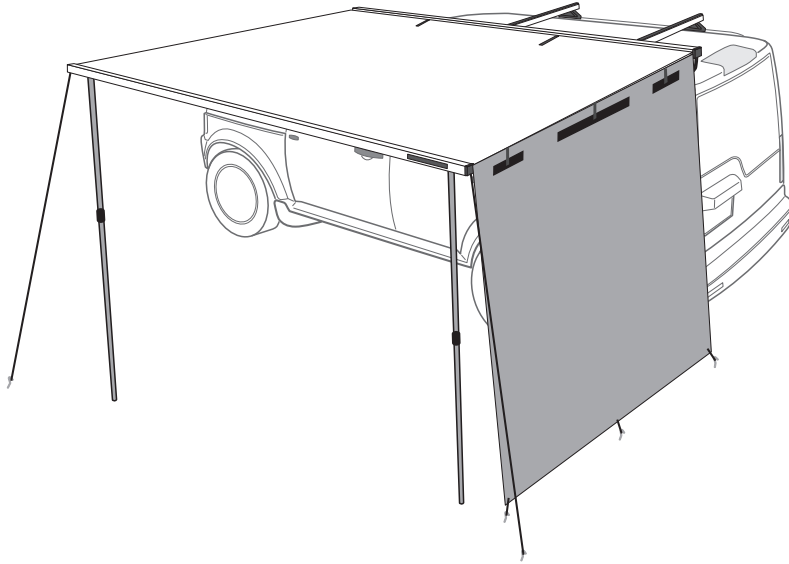


**Option C**

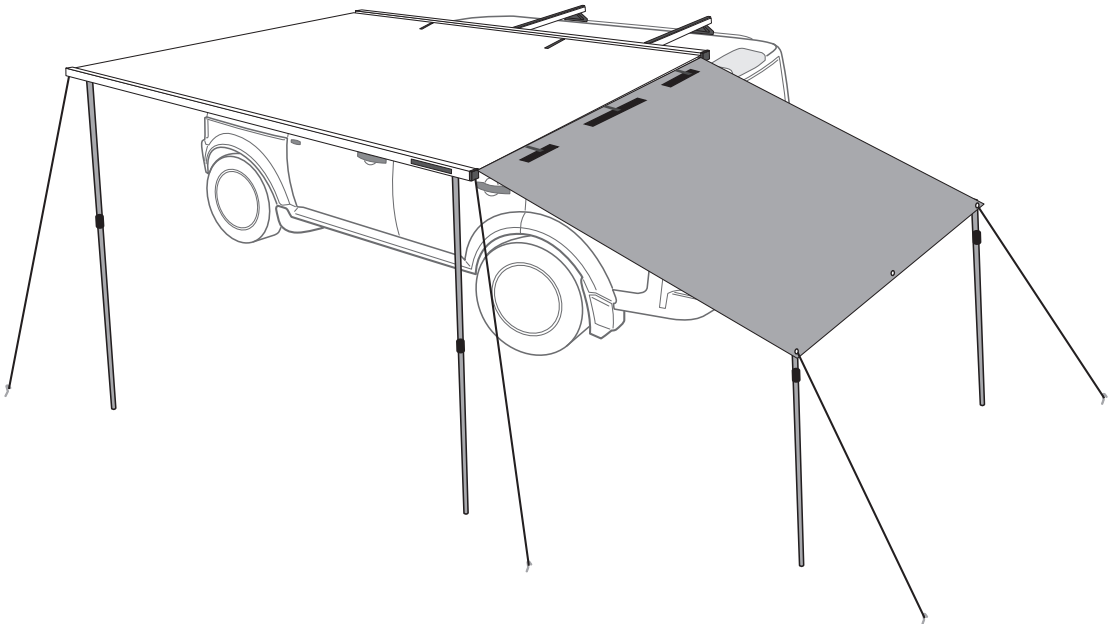


**NOTE:** The telescopic poles shown in the illustration are sold separately.

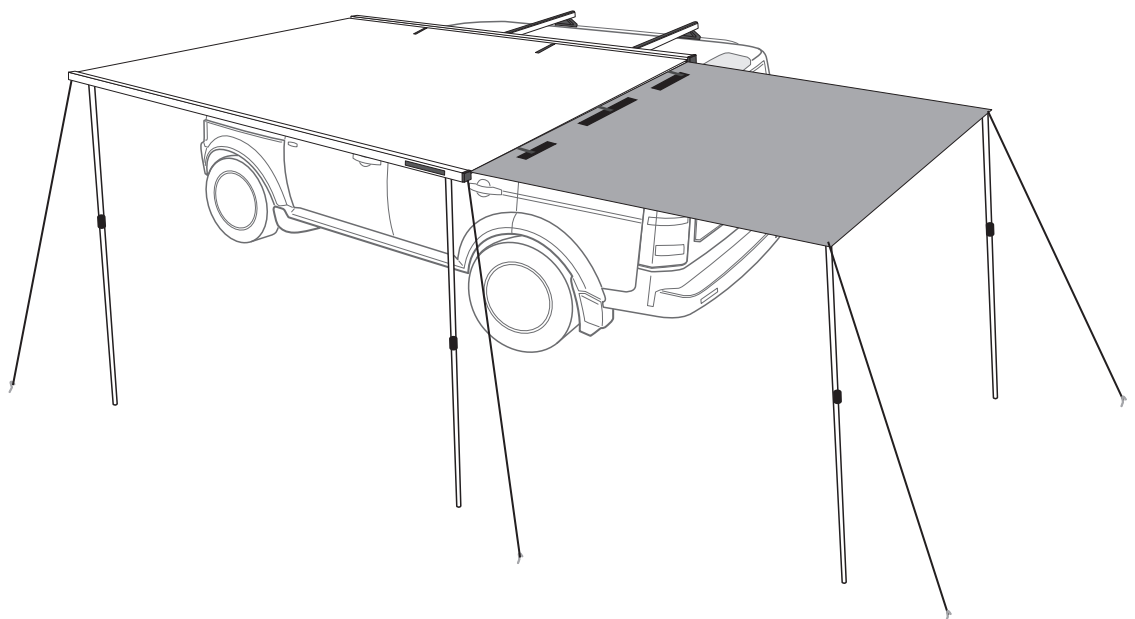
**Option A**



**Option B**



**Option C**



**NOTE:** Illustration is shown on Sunseeker but also applies to Sunseeker Freestanding. The telescopic poles shown in the illustration are sold separately.