



# RHINO-RACK

**CONTROLLED**

## Foxwing Universal Tubular Long Bracket Instruction

Place these instructions in the vehicle's glove box after installation is complete.

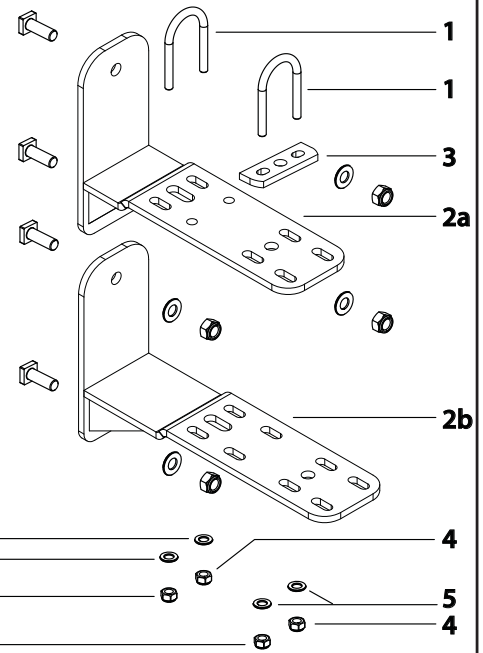
**Important:** Please read these instructions carefully prior to installation.  
Check the contents of kit before commencing fitment and report any discrepancies

**This kit is to be used in conjunction with the fitting kit supplied with your Rhino Rack FOXWING Awning by OZTENT**

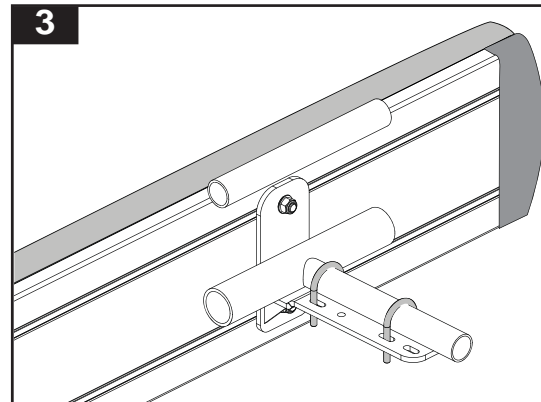
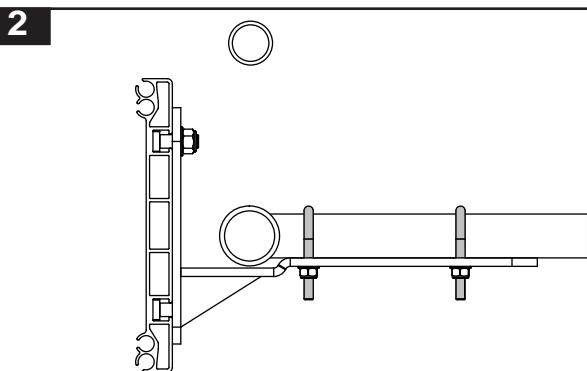
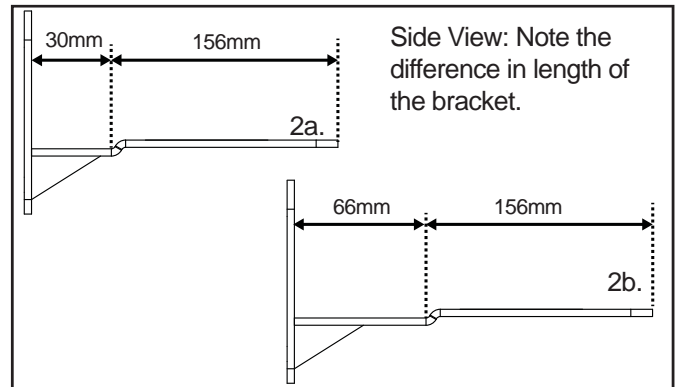
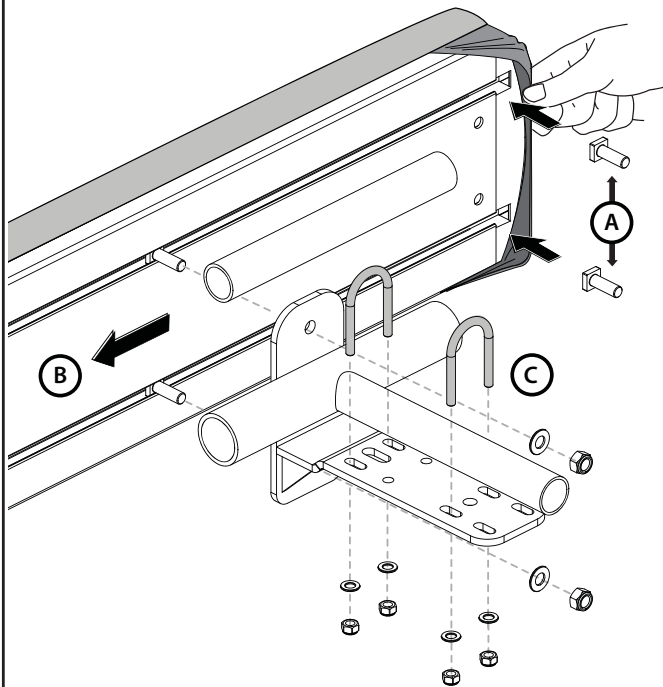
### Parts List

| Item | Component Name                | Qty | Part No. |
|------|-------------------------------|-----|----------|
| 1    | U-bolt 28mm Round             | 6   | C752     |
| 2a*  | Foxwing Roof Tray Bracket     | 2   | C716     |
| 2b*  | Foxwing Roof Tray Bracket New | 2   | CA1157   |
| 3    | Foxwing Roof Tray Packer      | 2   | C754     |
| 4    | M6 Nyloc Nut                  | 12  | N013     |
| 5    | M6 x 16 Stainless Flat Washer | 12  | W031     |
| 6    | Fitting Instructions          | 1   | RR213    |

\*Note: Item 2a and 2b are kit specific. 31103 will contain 2a, 31123 will contain 2b.



### 1 For ARB Tray (Steel - no mesh)

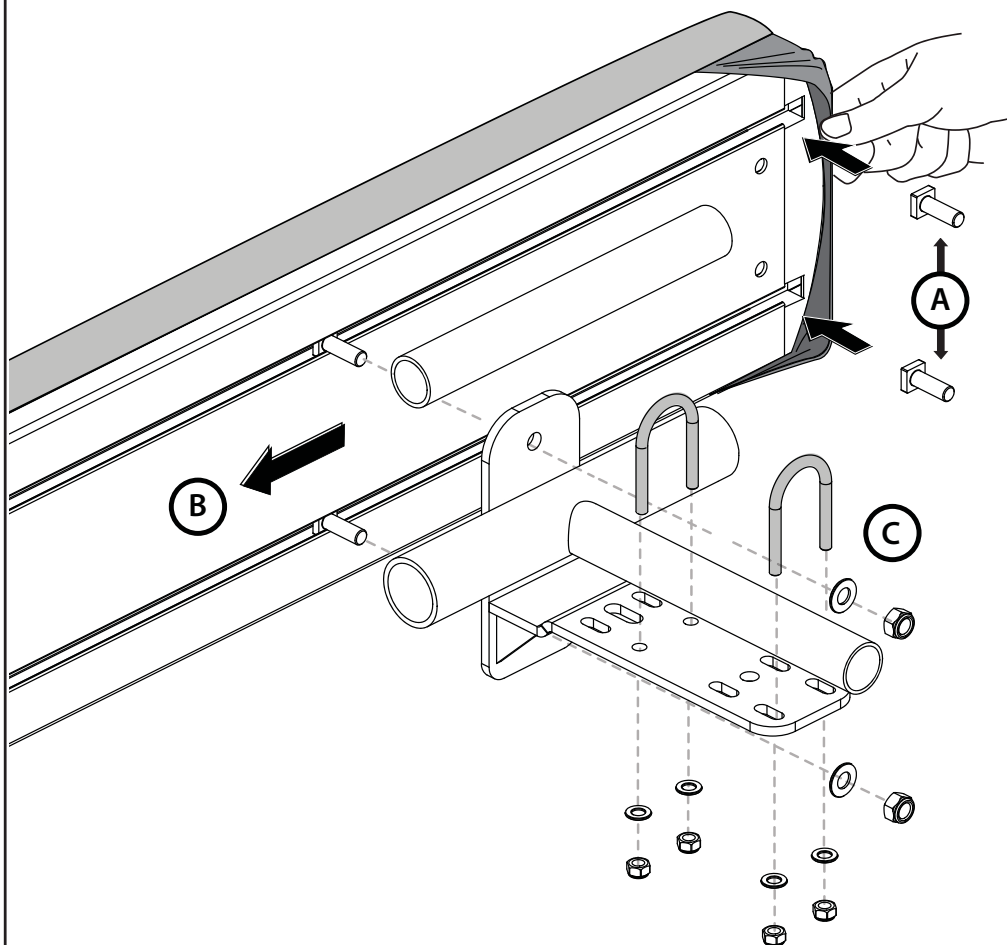




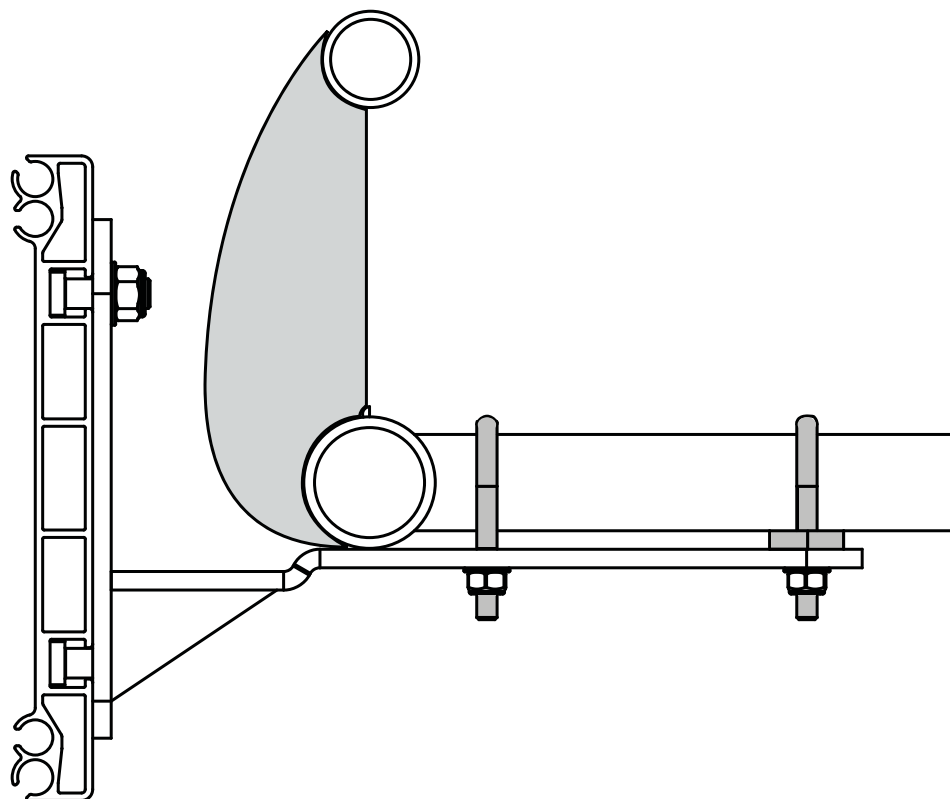
# Foxwing Universal Tubular Long Bracket Instruction

1

For ARB Tray (Steel - no Mesh)



2

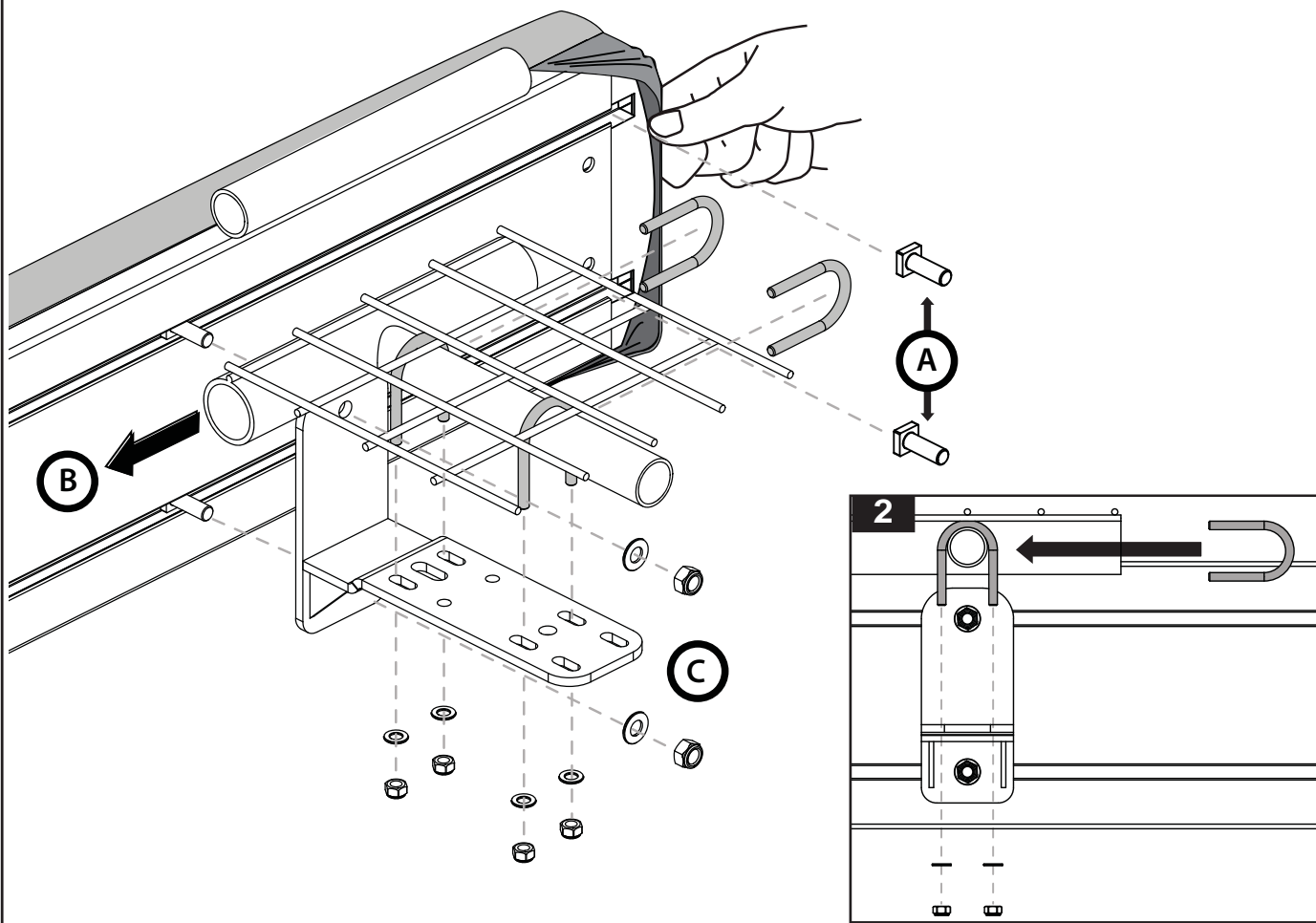




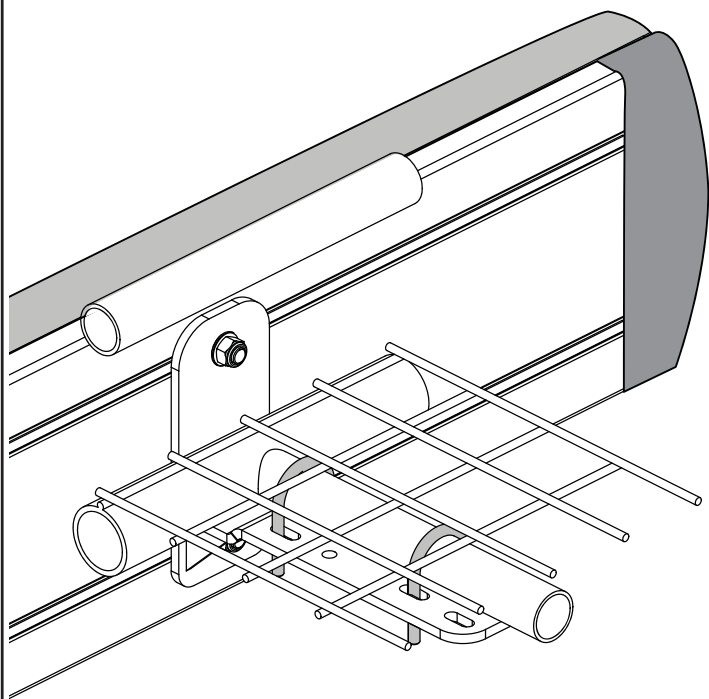
# Foxwing Universal Tubular Long Bracket Instruction

1

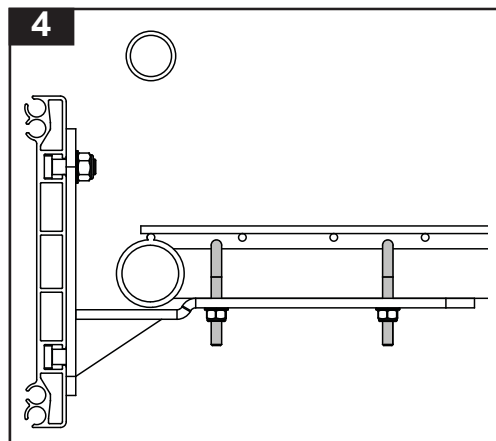
For ARB Tray (Steel with Mesh)



3



4

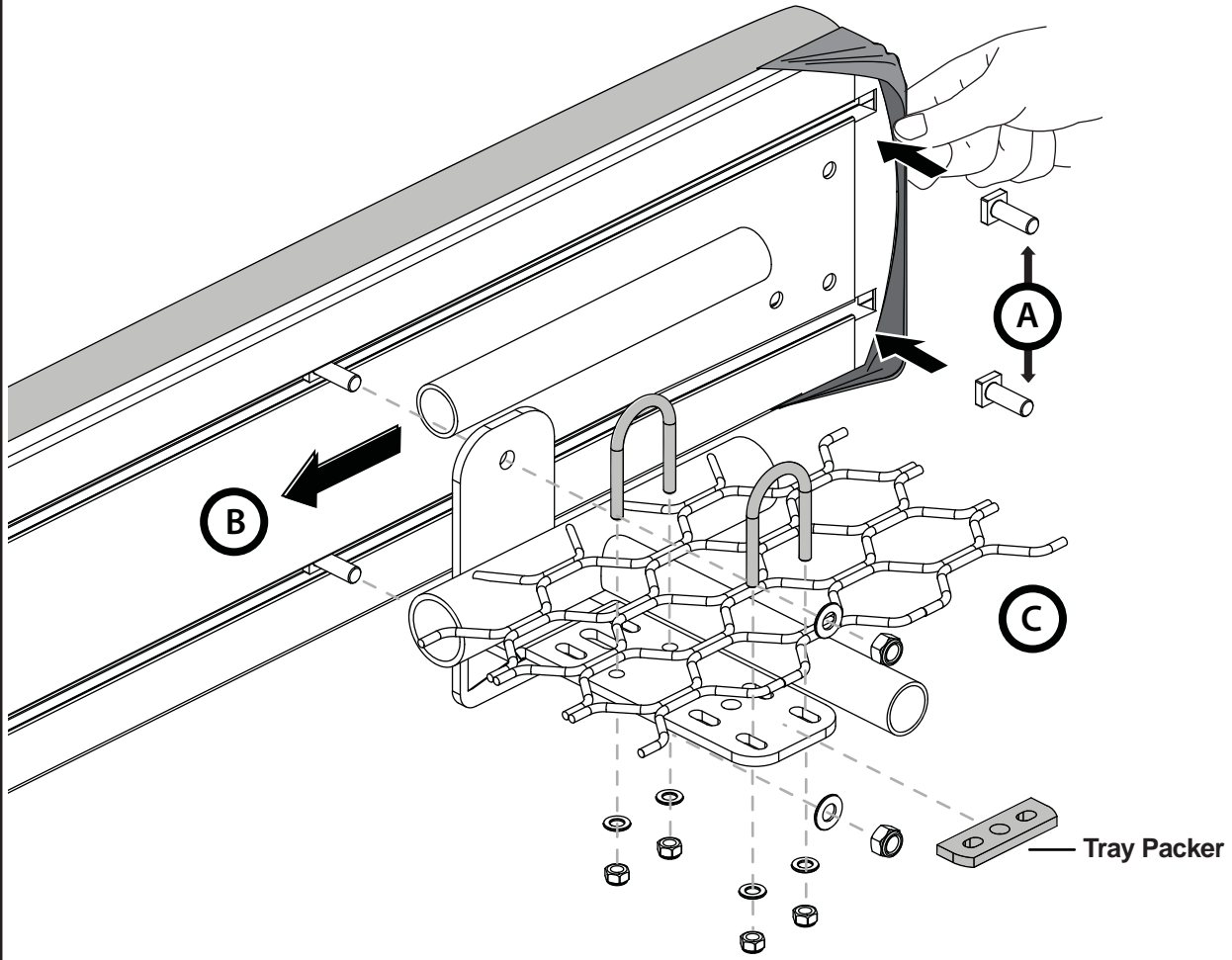




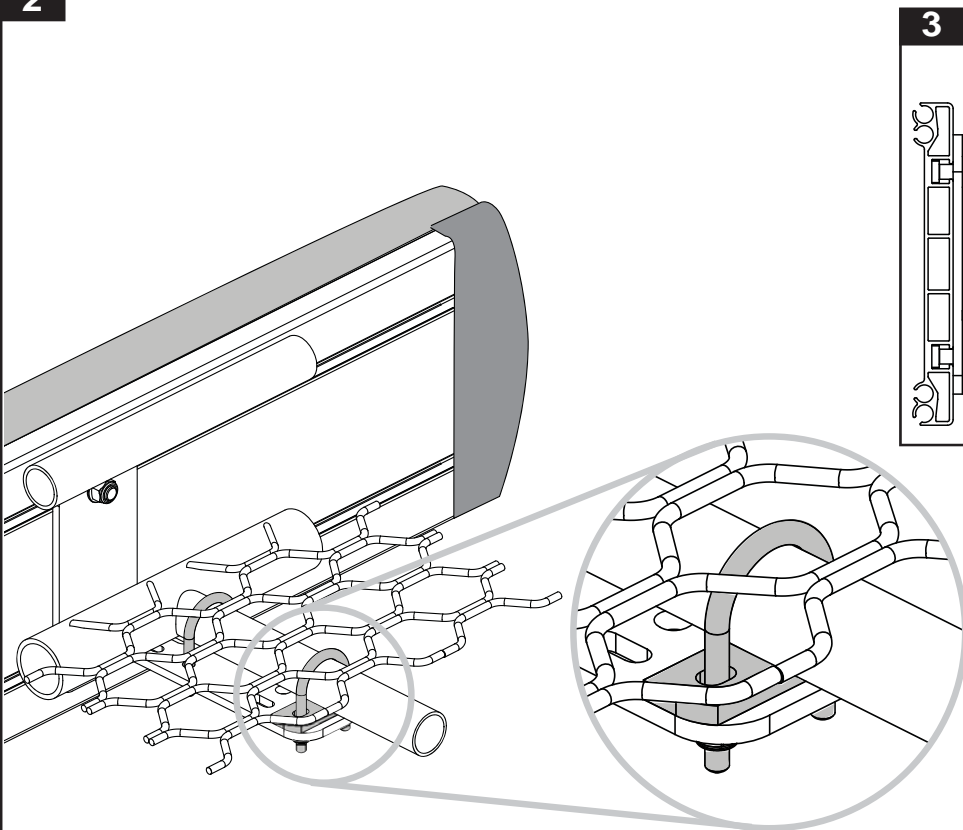
# Foxwing Universal Tubular Long Bracket Instruction

1

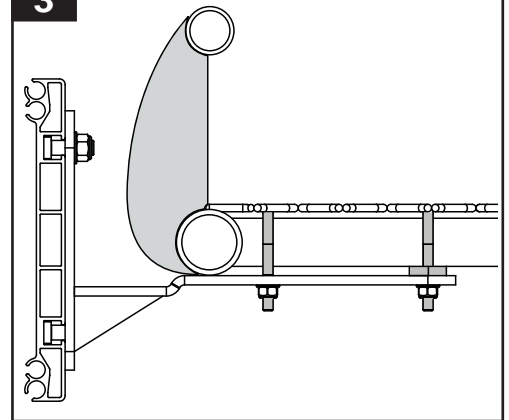
For ARB Tray (Alloy)



2

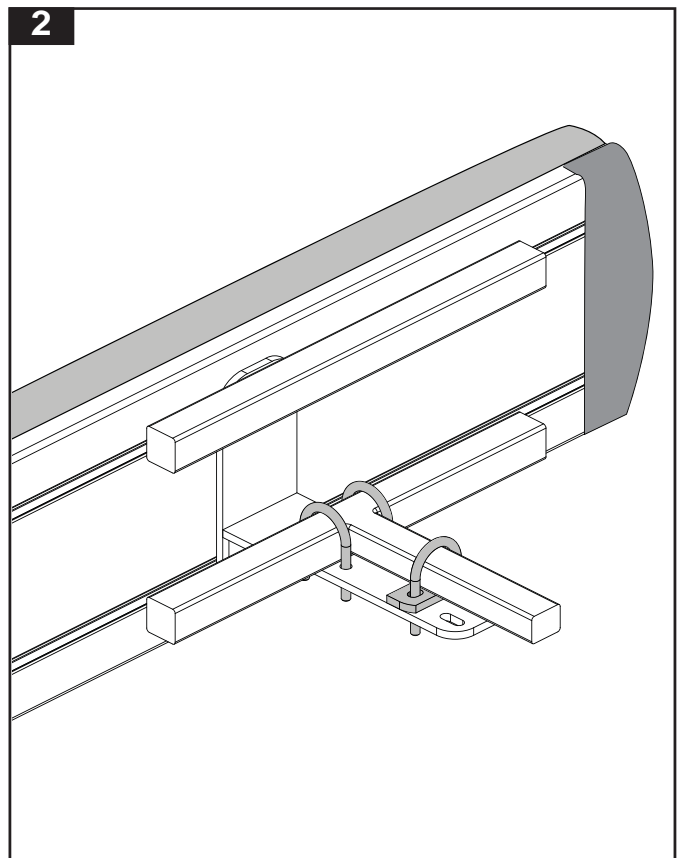
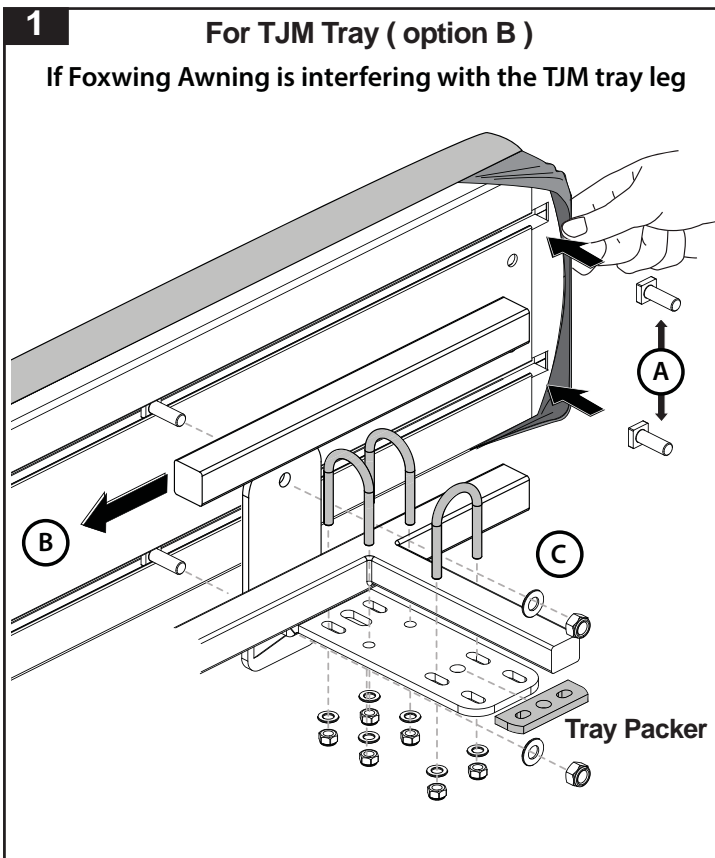
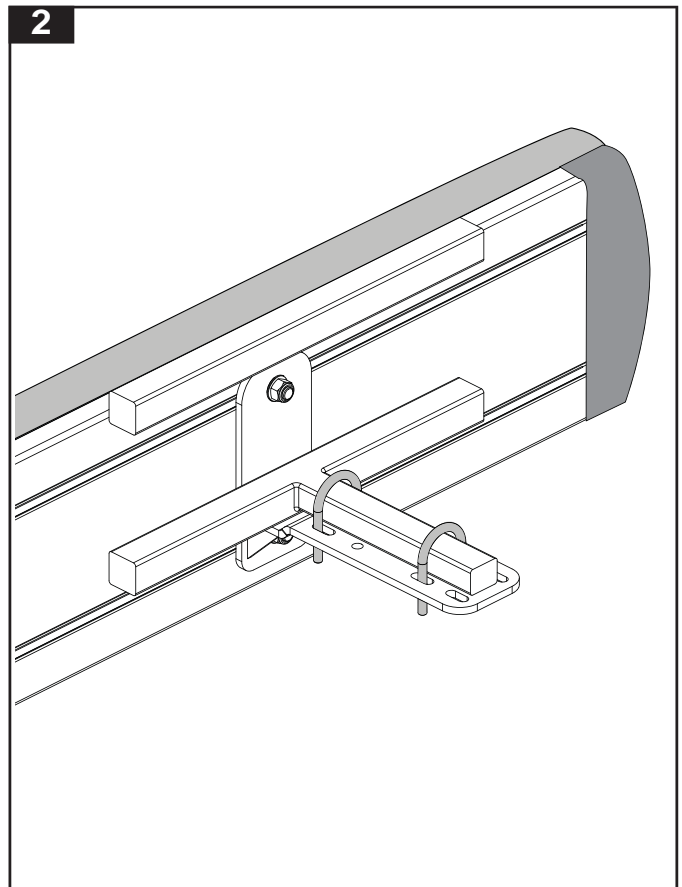
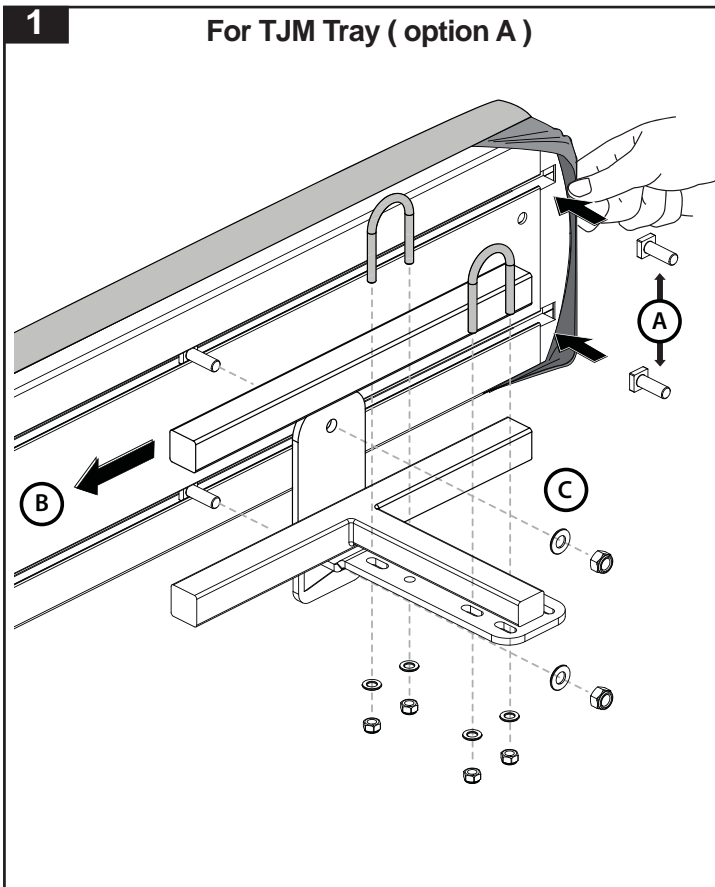


3





# Foxwing Universal Tubular Long Bracket Instruction



Rhino-Rack  
3 Pike Street, Rydalmere,  
NSW 2116, Australia.  
(Ph) (02) 9638 4744  
(Fax) (02) 9638 4822

Document No: RR213  
Prepared By: Andy Wana  
Authorised By: Gary England

Issue No: 04  
Issue Date: 01/03/2017