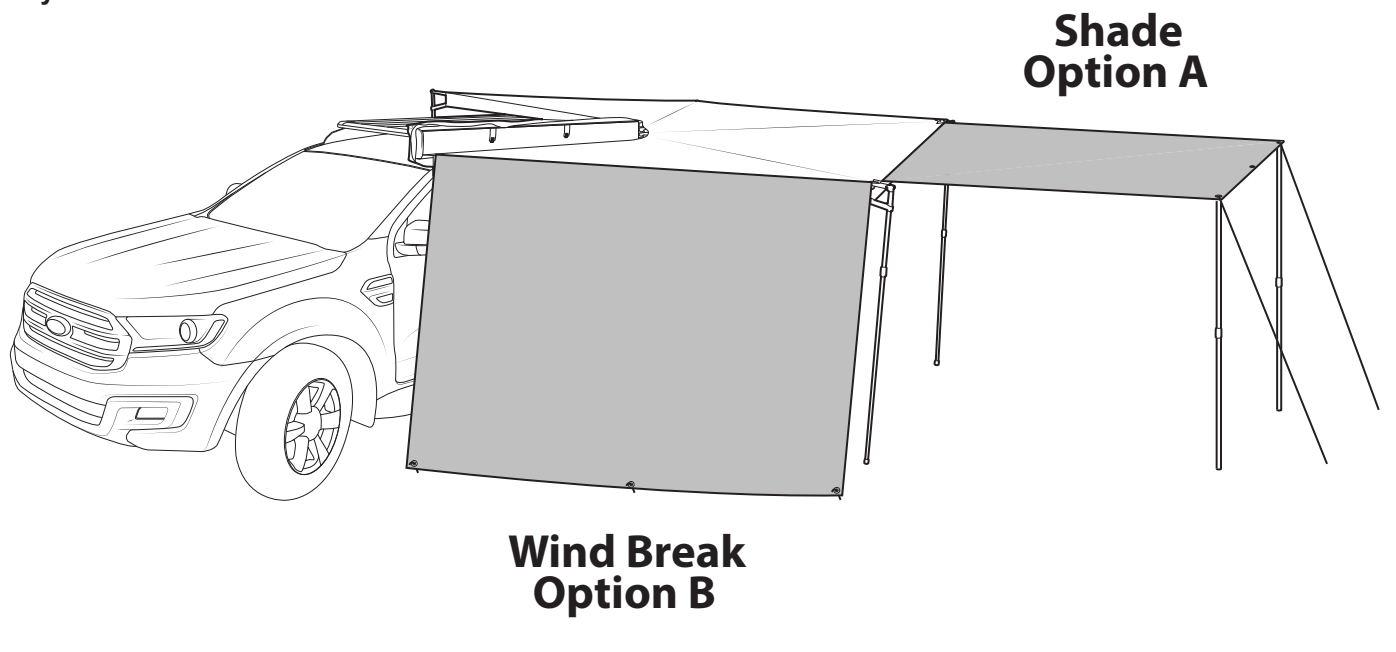


RHINO-RACK

Rhino-Rack BATWING and SUNSEEKER Awning Extension

- | | |
|--|--|
| 1. <input type="checkbox"/> Check Part No./Kit is correct | 3. <input type="checkbox"/> Fit roof rack accessory |
| 2. <input type="checkbox"/> Read through instruction before installing | 4. <input type="checkbox"/> Check and recheck all fasteners are secure |

Layout

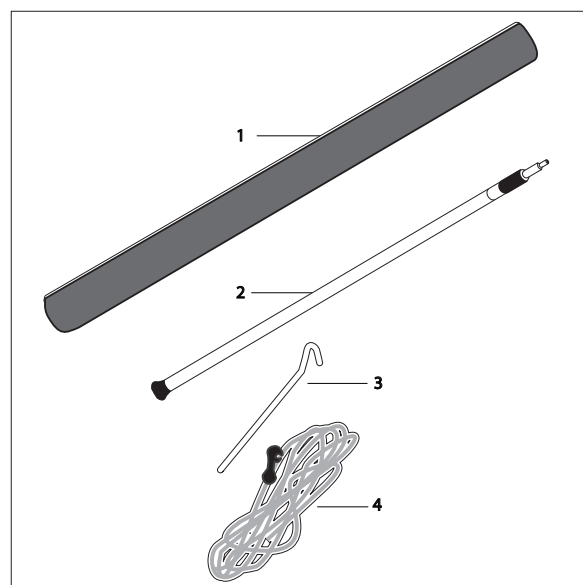


Parts List

Item	Assembled Batwing	Qty	Part No.
1	Batwing Sunseeker Extension	1	31101
2	Telescopic pole (black)	2	SP256
3	Metal Pegs	3	C909
4	Guy Ropes (pair)	1	C910
5	Instructions	1	RR223

Note :

The poles and ropes must always be used when the Batwing awning is open. Up to 4 awning extensions can be fitted at one time. This kit is to be used in conjunction with Rhino-Rack Batwing or Sunseeker Awnings.



Please remove BATWING / SUNSEEKER Awning and crossbars when putting vehicle through an automatic car wash.

Note for Dealers and Fitters

It is your responsibility to ensure that this fitting instruction is given to the end user or client.

Rhino-Rack

3 Pike Street, Rydalmere,

NSW 2116, Australia.

(Ph) (02) 9638 4744

(Fax) (02) 9638 4822

Document No: RR223

Prepared By: Kayle Everett

Authorised By: Nicholas Clarke

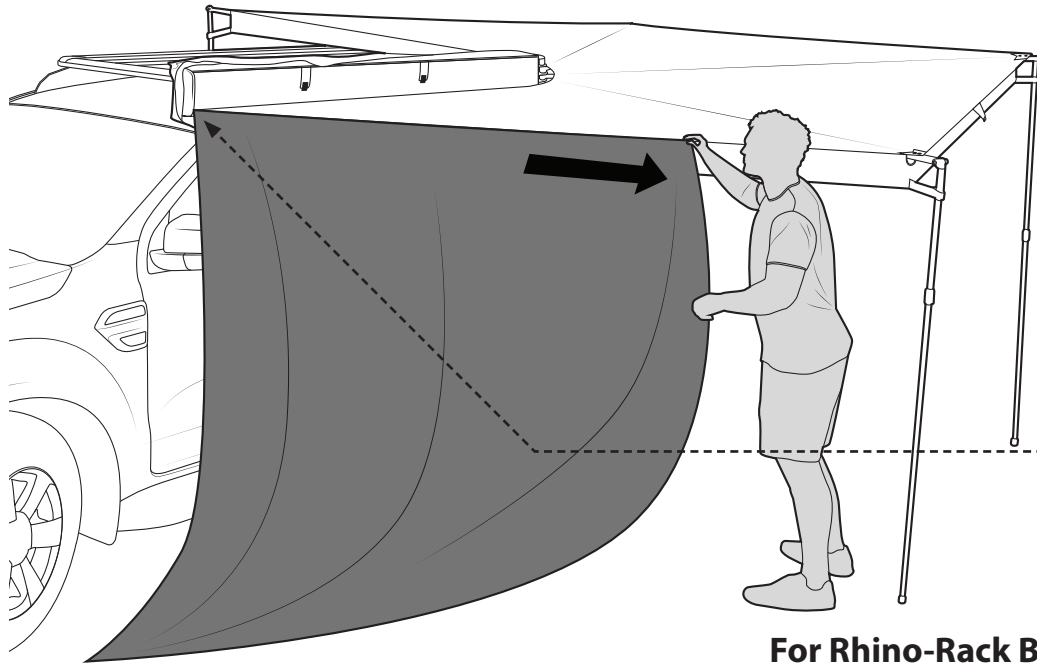
Issue No: 05

Issue Date: 07/01/2019

These instructions remain the property of Rhino-Rack Australia Pty Ltd and may not be used or changed for any other purpose than intended.

Rhino-Rack BATWING and SUNSEEKER Awning Extension

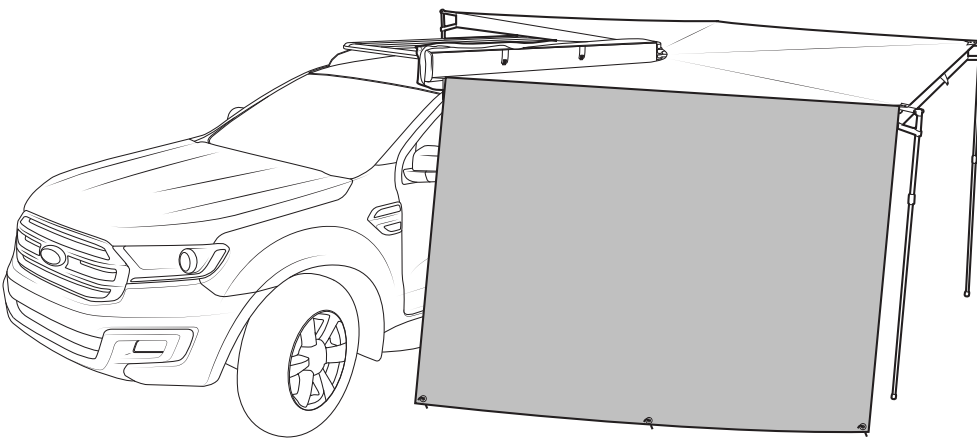
1



BATWING
Refer to page 2-2
SUNSEEKER
Refer to page 3-4

For Rhino-Rack Batwing Awning 33100

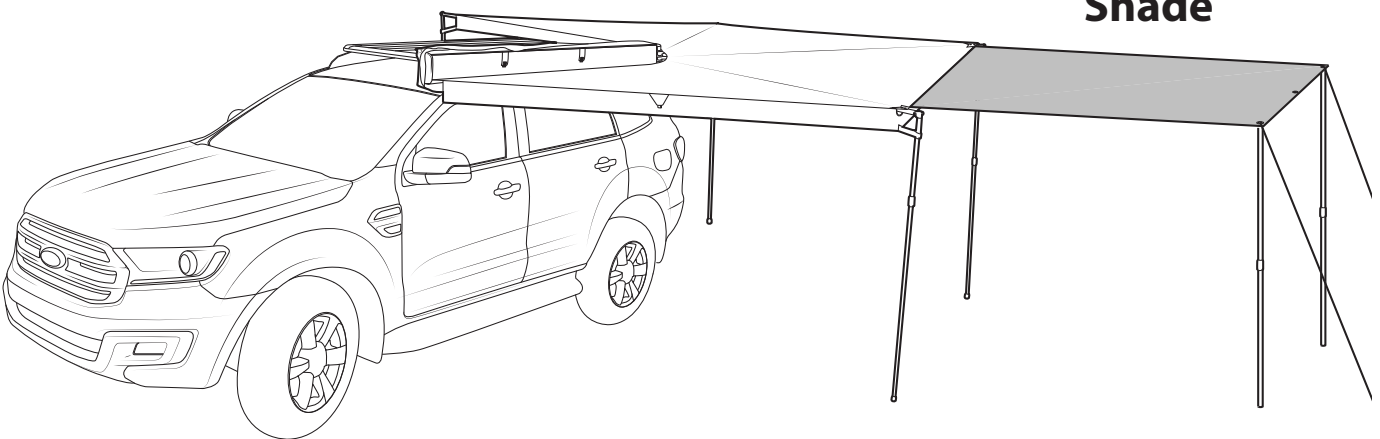
2



Wind Break

Option A

Can be installed to any of the 4 awning sections



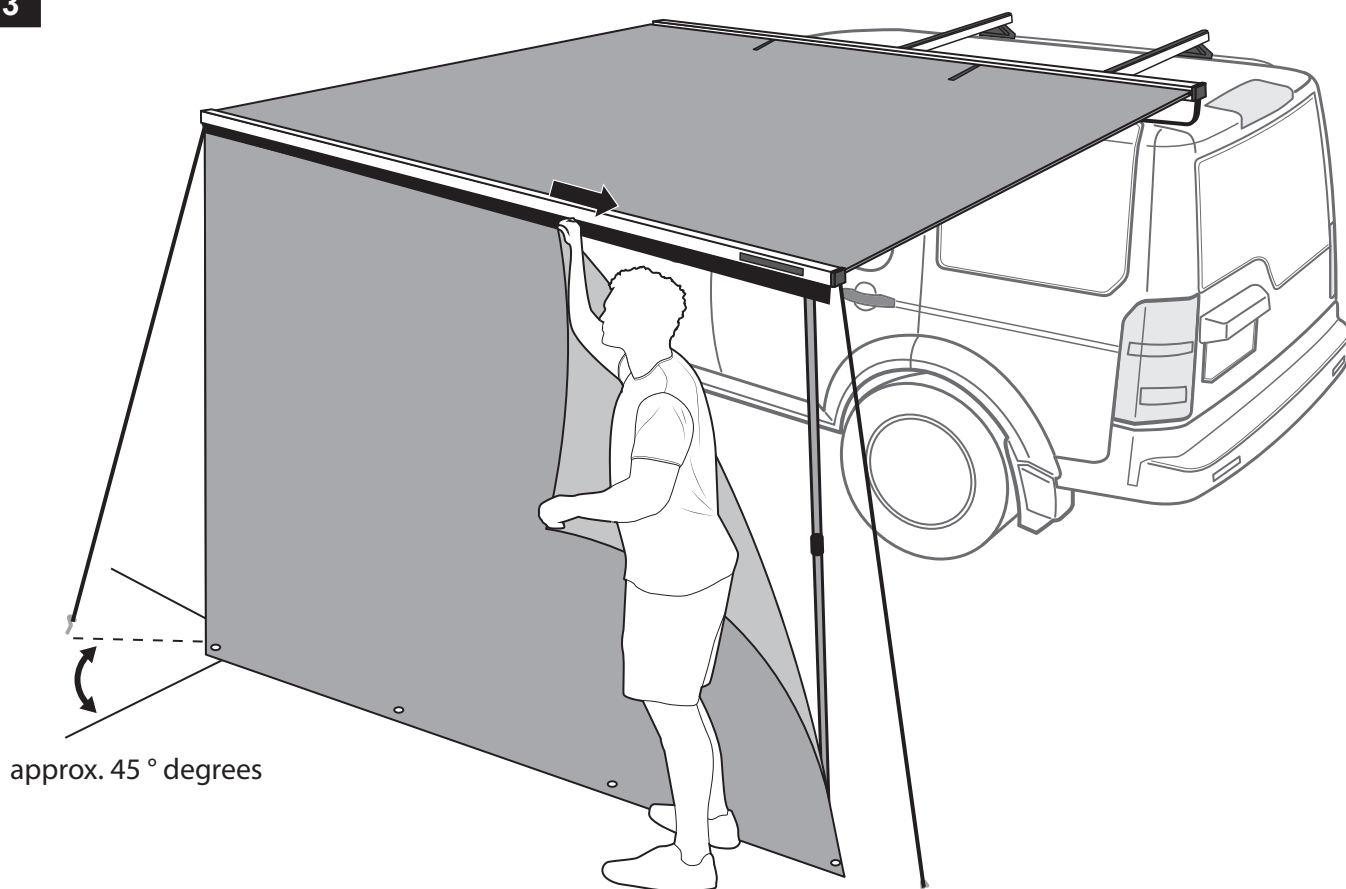
Shade

Option B

Can be installed to any of the 4 awning sections

Rhino-Rack BATWING and SUNSEEKER Awning Extension

3

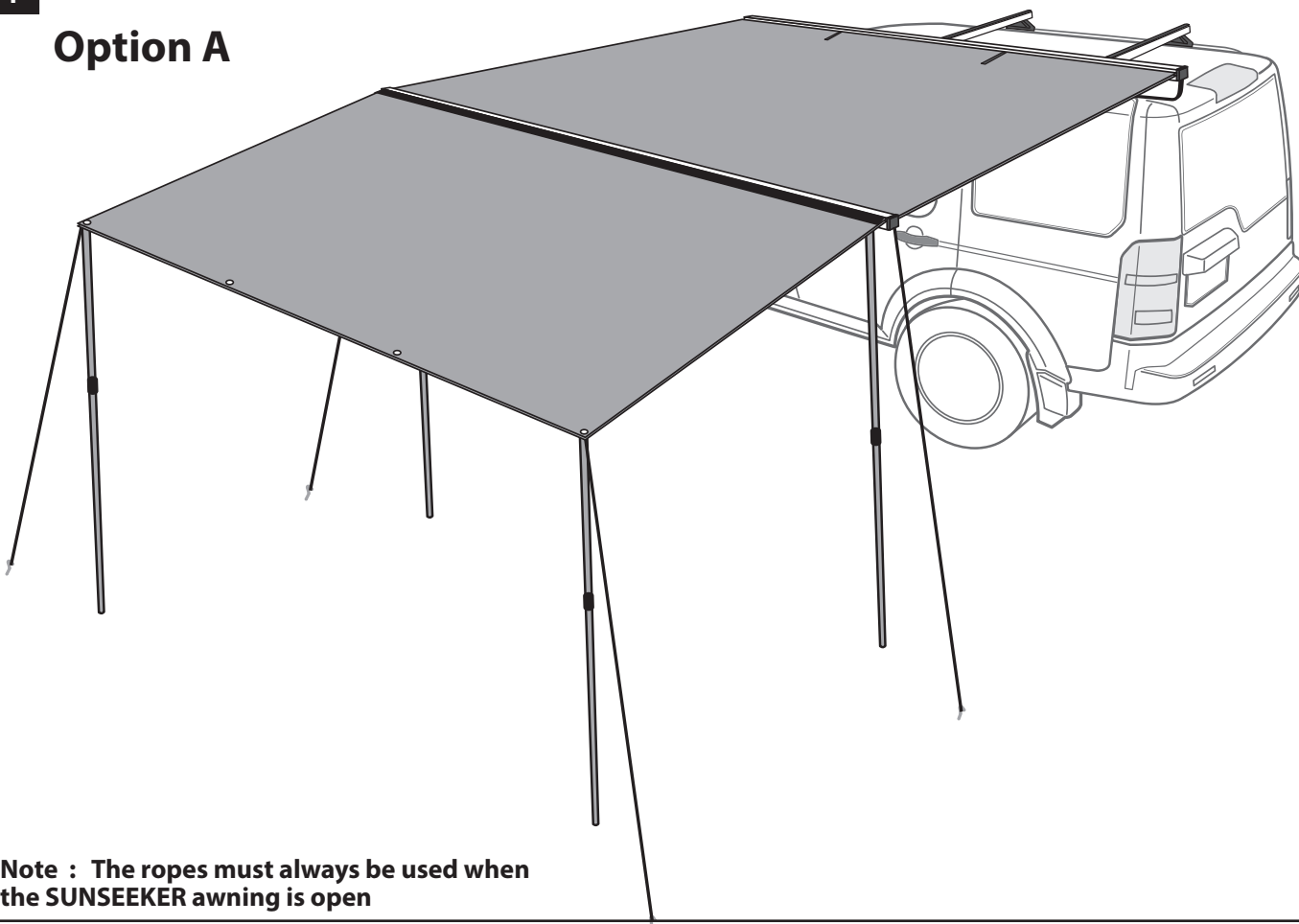


approx. 45° degrees

For Rhino-Rack Sunseeker 2.5m Awning 32133

4

Option A

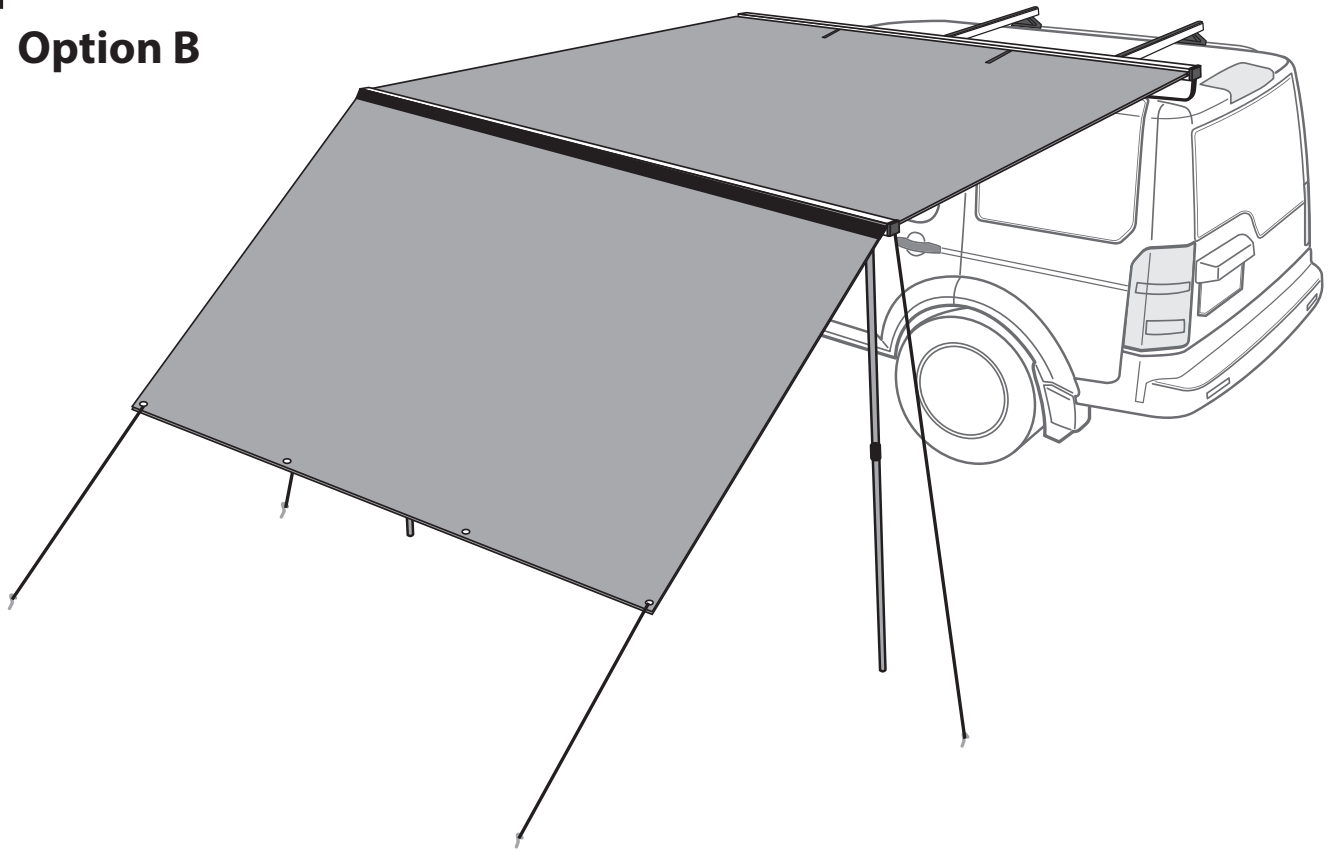


Note : The ropes must always be used when the SUNSEEKER awning is open

Rhino-Rack BATWING and SUNSEEKER Awning Extension

5

Option B



6

Option C

