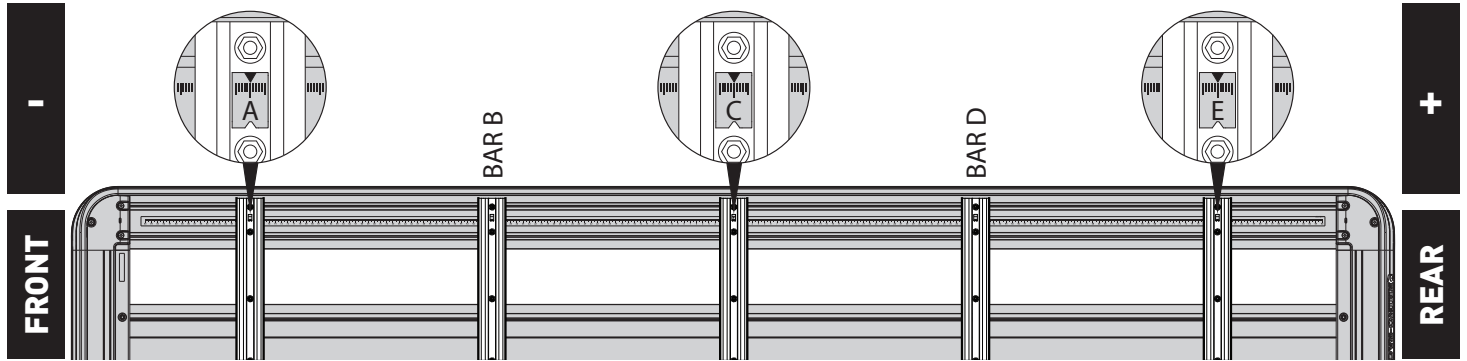


VEHICLE	PIONEER SIZE	CONNECTOR	HEIGHT ADDED (mm / in)
LAND ROVER Discovery 3/4 L319 4WD/SUV 4dr	52107	RD4B1	

IMPORTANT NOTES Requires Kit SP309; Fit Backbone System to vehicle before fitting Pioneer System. Not compatible with vehicle satellite aerial optional extra. Do not operate sunroof

REGION	AUS	NZ	USA	CA	SA	UK	EU	ZA
AVAILABILITY	✓	✓	x	x	x	✓	✓	✓
RUNNING DATES	04/05 - 06/17	04/05 - 06/17	-	-	-	2005 - 2017	2005 - 2017	2005 - 2017

UNDERBAR SPACING



BAR NO.	A	B	C	D	E	F	G
DIMENSION (CM)	-78.5	-15.6	13.7	48.4	84.5		
SPACERS REQ'D							
CONNECTOR	BACKBONE		BACKBONE		BACKBONE		

VEHICLE LOAD LIMIT (VLL) (kg / lbs)	SYSTEM WEIGHT (SW) (kg / lbs)	ON-ROAD CARGO ALLOW. (OR)	OFF-ROAD CARGO ALLOW. (OFR)
Up to 100 / 220.5*	37 / 81.8	OR = VLL - SW	OFR = OR / 1.5

***CHECK YOUR VEHICLE OWNERS HAND BOOK FOR VEHICLE MAXIMUM CARRYING CAPACITY. PLEASE ENSURE YOU USE THE VEHICLE MANUFACTURERS MAXIMUM ROOF ALLOWANCE IF IT IS LOWER THAN THE FIGURE LISTED IN THIS INSTRUCTION.**

NOTES FOR DEALERS / FITTERS
It is your responsibility to ensure these fitting instructions are given to the end user or client.

Document No: R2298
Issue No: 2
Issue Date: 18-Feb-20

These instructions remain the property of Rhino-Rack Australia Pty. Ltd. and may not be used or changed for any other purpose than intended.