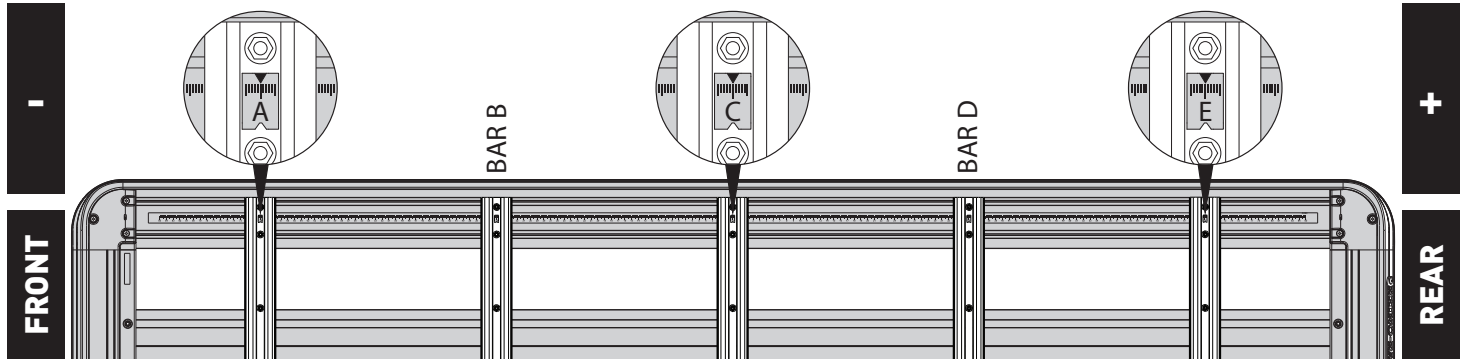


VEHICLE	PIONEER SIZE	CONNECTOR	HEIGHT ADDED (mm / in)
FORD Everest Gen 3 4WD/SUV 4dr	52102	RFEB1	

IMPORTANT NOTES	Requires Kit SP309 Do not operate sunroof
------------------------	--

REGION	AUS	NZ	USA	CA	SA	UK	EU	ZA
AVAILABILITY	✓	✓	x	x	x	x	x	✓
RUNNING DATES	10/15 -	10/15 -	-	-	-	-	-	2015 -

UNDERBAR SPACING



BAR NO.	A	B	C	D	E	F	G
DIMENSION (CM)	-65.7	-30	3.2	38.4	72.1		
SPACERS REQ'D							
CONNECTOR	BACKBONE		BACKBONE		BACKBONE		

VEHICLE LOAD LIMIT (VLL) (kg / lbs)	SYSTEM WEIGHT (SW) (kg / lbs)	ON-ROAD CARGO ALLOW. (OR)	OFF-ROAD CARGO ALLOW. (OFR)
Up to 100 / 220.5*	33 / 71.9	OR = VLL - SW	OFR = OR / 1.5

***CHECK YOUR VEHICLE OWNERS HAND BOOK FOR VEHICLE MAXIMUM CARRYING CAPACITY. PLEASE ENSURE YOU USE THE VEHICLE MANUFACTURERS MAXIMUM ROOF ALLOWANCE IF IT IS LOWER THAN THE FIGURE LISTED IN THIS INSTRUCTION.**

NOTES FOR DEALERS / FITTERS
It is your responsibility to ensure these fitting instructions are given to the end user or client.

Document No: R2176
Issue No: 2
Issue Date: 18-Feb-20

These instructions remain the property of Rhino-Rack Australia Pty. Ltd. and may not be used or changed for any other purpose than intended.