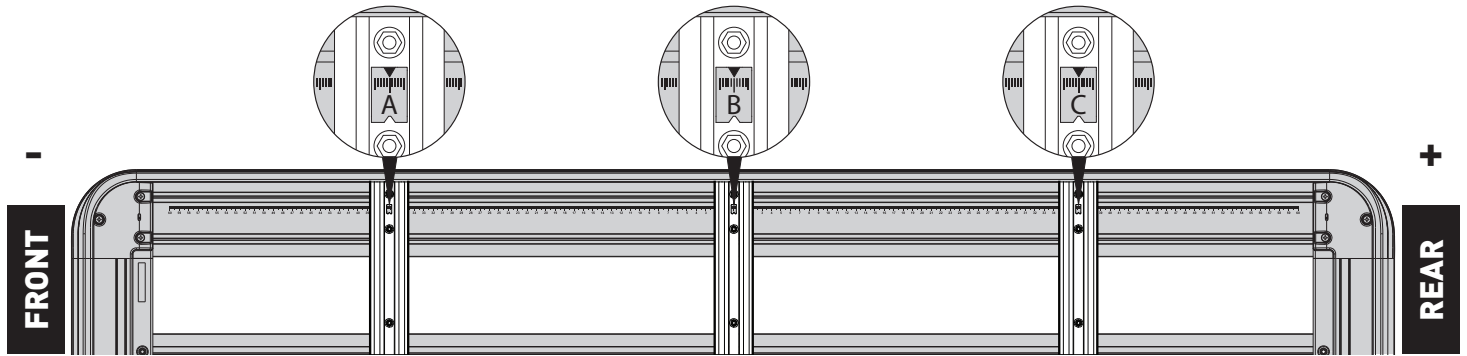


VEHICLE	PIONEER SIZE	CONNECTOR
ISUZU D-Max TF (LS-T/X-Runner) Crew Cab (With Roof Rails)	52100	RIDB1

IMPORTANT NOTES	Requires Kit SP308
------------------------	--------------------

REGION	AUS	NZ	USA	CA	EU	SA	ZA
AVAILABILITY	✓	✓					
RUNNING DATES	Jun-12 -	-	-	-	-	-	-

UNDERBAR SPACING



BAR NO.	A	B	C	D	E	F	G
DIMENSION (CM)	-54.5	0.0	52.0	-	-	-	-
SPACERS REQ'D	-	-	-	-	-	-	-

VEHICLELOAD LIMIT (kgs / lbs)	SYSTEM WEIGHT (kgs / lbs) PLATFORM + CONNECTOR	ON-ROAD CARGO ALLOWANCE (kgs / lbs)	OFF-ROAD CARGO ALLOWANCE (kgs / lbs)
100 / 220	23.7 / 52.3	76.3 / 168.2	50.9 / 112.2

NOTES FOR DEALERS / FITTERS

It is your responsibility to ensure these fitting instructions are given to the end user or client.

Document No: R2001
 Issue No: 0
 Issue Date: 21/10/2019

These instructions remain the property of Rhino-Rack Australia Pty. Ltd. and may not be used or changed for any other purpose than intended.